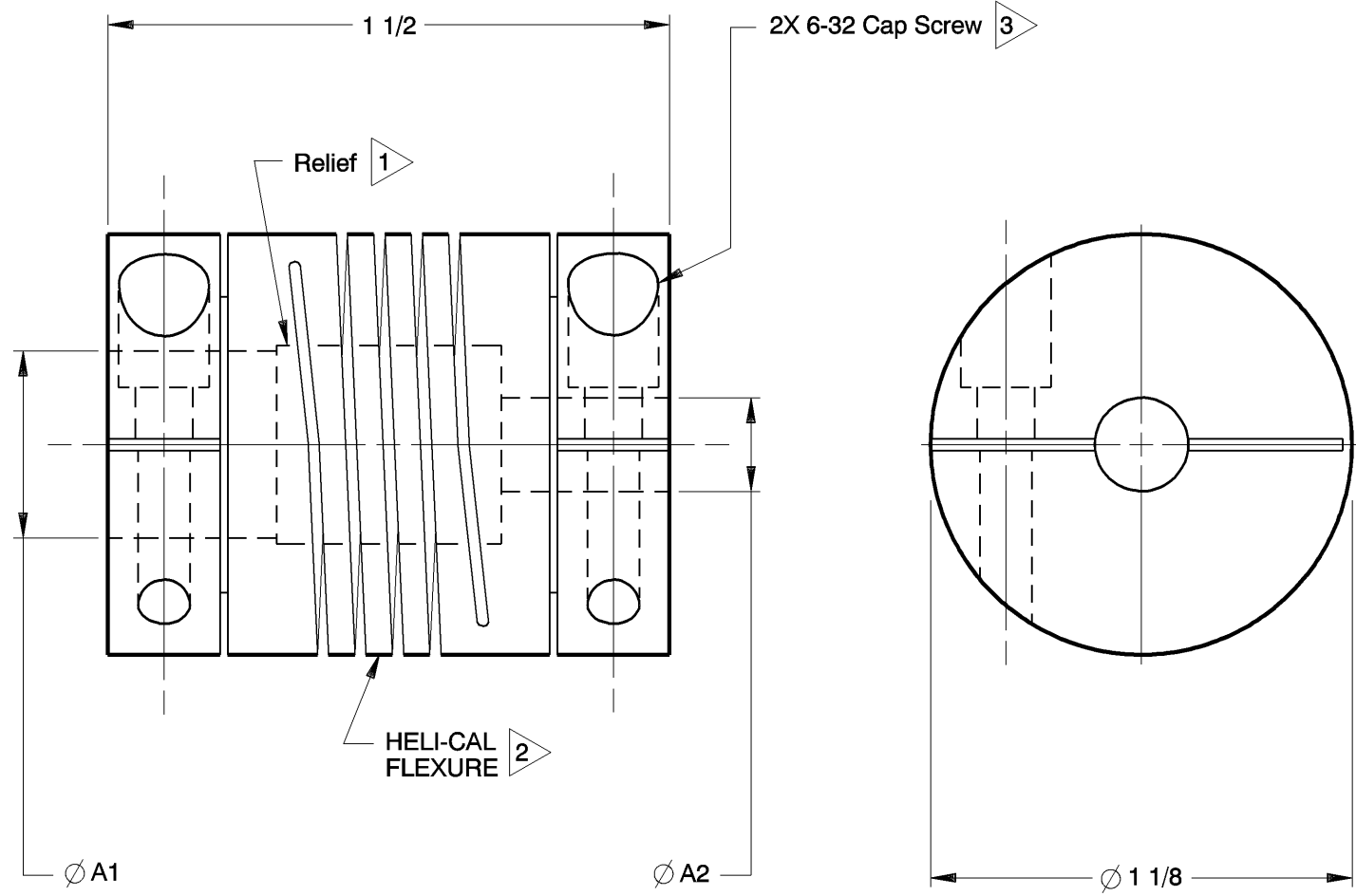


NOTES: See Tabulated Sheet

- 1 Relief permits component shafts to near butt.
- 2 Hubs and HELI-CAL FLEXURE are made from a single piece of material.
- 3 Integral Clamp attachment, hex. socket, cap screw furnished: both hubs.
- 4 Backlash: None. No lubrication required.
- 5 Permitted axial motion from free length: $\pm .010$ in.
- 6 RPM: Up to 10,000, depending upon application.
- 7 Working torque ratings are based upon continuous duty with noted misalignments applied separately and may be increased with improved alignment:
- See Tabulated Sheet
- 8 Permissible shaft misalignment:
Angular, up to 5 degrees.
Offset, up to .010in.
(TIR, .020in.)
- 9 Part will have a 1.267in. Clearance Diameter on both ends when any bore is over .531in. thru .684in.



ACR112-16-8 SHOWN

NOTICE: THE INFORMATION AND DATA CONTAINED HEREIN IS CONSIDERED PROPRIETARY TO HELICAL PRODUCTS COMPANY, INC., AND SHALL REMAIN THE EXCLUSIVE PROPERTY OF HELICAL. THE HOLDER WILL ASSUME CUSTODY AND CONTROL THAT THIS DOCUMENT WILL NOT BE COPIED, REPRODUCED OR DISCLOSED WITHOUT THE EXPRESS WRITTEN CONSENT OF HELICAL. POSSESSION OF THIS DOCUMENT DOES NOT CONSTITUTE A GRANT TO MANUFACTURE ANY ITEMS.

DO NOT SCALE DRAWING.

12-18-09	---	Finish was Chromic Acid Anodize; Updated GD&T	HG	JAJ
1-25-99		Clerical format update/ No revision	BJM	MC
DATE	LTR	REVISION	CHK	

Unless otherwise noted dimensions in inches.

Tolerances are:
Fractions: $\pm 1/64$
Decimals: $.XX \pm .010$
 $.XXX \pm .005$
 $.XXXX \pm .0010$
Angles: ± 2 degrees
Break sharp corners .010 max.

APPROVALS	DATE
DRAWN MM	10-10-79
CHECKED MC	10-10-79
PRODN APA	10-10-79
ISSUED	
WEIGHT	57g (calc)
SCALE 2/1	SIZE A

<p>HELICAL PRODUCTS CO., INC. P.O. BOX 1069 SANTA MARIA, CA. 93456 U.S.A PHONE (805) 928-3851 FSC13201</p>	
TITLE	HELICAL FLEXIBLE SHAFT COUPLING
MATERIAL	7075-T6 Aluminum Alloy
FINISH	Anodize per HPS1000
DWG NO	ACR112

ADDITION DATE	PART NUMBER	BORE TOLERANCES		TORQUES (lbin)			TORSIONAL FLEXIBILITY deg/lbin	MASS MOMENT OF INERTIA	COMMENTS	A1	A2
		+.002in -.000in	or +.05mm -.00mm	Non-reversing	Shock or Reversing	Momentary					
09 Feb 09	ACR112-6-4	.188in	.125in	32	16	64					
16 Jun 04	ACR112-6-6	.188in	.188in	32	16	64					
18 Aug 05	ACR112-5mm-5mm	5.00mm	5.00mm	32	16	64					
	ACR112-6mm-6	6.00mm	.188in	32	16	64					
23 Jun 88	ACR112-8-4M	.250in	.120in	32	16	64					
09 Mar 88	ACR112-8-4	.250in	.125in	32	16	64					
03 Aug 89	ACR112-8-6	.250in	.188in	32	16	64					
14 Dec 88	ACR112-8-5mm	.250in	5.00mm	32	16	64					
	ACR112-8-7	.250in	.219in	32	16	64					
	ACR112-8-6mm	.250in	6.00mm	32	16	64					
09 Mar 88	ACR112-8-8	.250in	.250in	32	16	64					
	ACR112-9-8	.282in	.250in	28	14	56					
09 Mar 88	ACR112-10-8	.313in	.250in	28	14	56					
09 Mar 88	ACR112-10-10	.313in	.313in	28	14	56					
17 Sep 03	ACR112-8mm-6mm	8.00mm	6.00mm	28	14	56					
09 Mar 88	ACR112-8mm-8	8.00mm	.250in	28	14	56					
	ACR112-8mm-8mm	8.00mm	8.00mm	28	14	56					
23 Jun 88	ACR112-9mm-8	9.00mm	.250in	26	13	52					
	ACR112-12-3mm	.375in	3.00mm	24	12	48					
26 Apr 89	ACR112-12-4M	.375in	.120in	24	12	48					
09 Mar 88	ACR112-12-4	.375in	.125in	24	12	48					
	ACR112-12-4mm	.375in	4.00mm	24	12	48					
09 Mar 88	ACR112-12-6	.375in	.188in	24	12	48					
23 Jun 88	ACR112-12-5mm	.375in	5.00mm	24	12	48					
11 Oct 04	ACR112-12-7	.375in	.219in	24	12	48					
09 Mar 88	ACR112-12-6mm	.375in	6.00mm	24	12	48					
09 Mar 88	ACR112-12-8	.375in	.250in	24	12	48					
23 Jun 88	ACR112-12-7mm	.375in	7.00mm	24	12	48					
	ACR112-12-9	.375in	.282in	24	12	48					
09 Mar 88	ACR112-12-10	.375in	.313in	24	12	48					
09 Mar 88	ACR112-12-8mm	.375in	8.00mm	24	12	48					

* NOTE: Bores greater than .512in Dia: bore depth is .450in

NOTICE: THE INFORMATION AND DATA CONTAINED HEREIN IS CONSIDERED PROPRIETARY TO HELICAL PRODUCTS COMPANY, INC., AND SHALL REMAIN THE EXCLUSIVE PROPERTY OF HELICAL. THE HOLDER WILL ASSUME CUSTODY AND CONTROL THAT THIS DOCUMENT WILL NOT BE COPIED, REPRODUCED OR DISCLOSED WITHOUT THE EXPRESS WRITTEN CONSENT OF HELICAL. POSSESSION OF THIS DOCUMENT DOES NOT CONSTITUTE A GRANT TO MANUFACTURE ANY ITEMS.

ADDITIONAL BORE SIZES AVAILABLE UPON REQUEST

APPROVALS DATE

DRAWN

CHECKED

PRODN

ISSUED

DATE

12/10/2009
10:42:34 AM

HELICAL PRODUCTS CO. INC

P.O. BOX 1069 SANTA MARIA, CA. 93456 U.S.A
PHONE (805) 928-3851/FSCI3201

TITLE **HELICAL FLEXIBLE SHAFT COUPLING**

TABULATED BORE SIZES

DWG NO

ACR112

Printed 12/10/2009 10:42:52 AM by larryvg

ADDITION DATE	PART NUMBER	BORE TOLERANCES		TORQUES (lbin)			TORSIONAL FLEXIBILITY deg/lbin	MASS MOMENT OF INERTIA	COMMENTS	A1	A2
		+.002in -.000in	or +.05mm -.00mm	Non-reversing	Shock or Reversing	Momentary					
09 Mar 88	ACR112-12-12	.375in	.375in	24	12	48					
09 Oct 06	ACR112-9.6mm-8mm	9.60mm	8.00mm	25	12	49					
	ACR112-9.9mm-8	9.90mm	.250in	23	11	46					
09 Mar 88	ACR112-10mm-4M	10.00mm	.120in	23	11	46					
23 Jun 88	ACR112-10mm-4	10.00mm	.125in	23	11	46					
09 Mar 88	ACR112-10mm-4mm	10.00mm	4.00mm	23	11	46					
05 Sep 03	ACR112-10mm-6	10.00mm	.188in	23	12	46					
06 Nov 90	ACR112-10mm-6mm	10.00mm	6.00mm	23	11	46					
	ACR112-10mm-8	10.00mm	.250in	23	11	46					
10 Jun 03	ACR112-10mm-7.5mm	10.00mm	7.50mm	23	11	46					
	ACR112-10mm-10	10.00mm	.313in	23	11	46					
03 Dec 01	ACR112-10mm-8mm	10.00mm	8.00mm	23	12	46					
	ACR112-10mm-9mm	10.00mm	9.00mm	23	11	46					
09 Mar 88	ACR112-10mm-12	10.00mm	.375in	23	11	46					
09 Mar 88	ACR112-10mm-10mm	10.00mm	10.00mm	23	11	46					
09 Mar 88	ACR112-13-8	.407in	.250in	23	11	46					
23 Jun 88	ACR112-13-12	.407in	.375in	23	11	46					
	ACR112-11mm-10	11.00mm	.313in	22	11	44					
09 Mar 88	ACR112-11mm-12	11.00mm	.375in	22	11	44					
	ACR112-11mm-11mm	11.00mm	11.00mm	22	11	44					
	ACR112-14-5mm	.438in	5.00mm	21	10	42					
	ACR112-14-8	.438in	.250in	21	10	42					
09 Mar 88	ACR112-14-10	.438in	.313in	21	10	42					
09 Mar 88	ACR112-14-12	.438in	.375in	21	10	42					
09 Mar 88	ACR112-14-14	.438in	.438in	21	10	42					
09 Mar 88	ACR112-11.33mm-10mm	11.33mm	10.00mm	21	10	42					
09 Mar 88	ACR112-11.6mm-9mm	11.60mm	9.00mm	21	10	42					
09 Mar 88	ACR112-11.6mm-11.6mm	11.60mm	11.60mm	21	10	42					
13 Nov 89	ACR112-11.63mm-12	11.63mm	.375in	21	10	42					
	ACR112-15-15	.469in	.469in	21	10	42					
09 Mar 88	ACR112-11.94mm-12	11.94mm	.375in	21	10	42					

* NOTE: Bores greater than .512in Dia: bore depth is .450in

NOTICE: THE INFORMATION AND DATA CONTAINED HEREIN IS CONSIDERED PROPRIETARY TO HELICAL PRODUCTS COMPANY, INC., AND SHALL REMAIN THE EXCLUSIVE PROPERTY OF HELICAL. THE HOLDER WILL ASSUME CUSTODY AND CONTROL THAT THIS DOCUMENT WILL NOT BE COPIED, REPRODUCED OR DISCLOSED WITHOUT THE EXPRESS WRITTEN CONSENT OF HELICAL. POSSESSION OF THIS DOCUMENT DOES NOT CONSTITUTE A GRANT TO MANUFACTURE ANY ITEMS.

ADDITIONAL BORE SIZES AVAILABLE UPON REQUEST

APPROVALS	DATE
DRAWN	
CHECKED	
PRODN	
ISSUED	12/10/2009 10:42:34 AM

HELICAL PRODUCTS CO. INC
P.O. BOX 1069 SANTA MARIA, CA. 93456 U.S.A
PHONE (805) 928-3851/FSCI3201

TITLE **HELICAL FLEXIBLE SHAFT COUPLING**

TABULATED BORE SIZES

DWG NO **ACR112**

Printed 12/10/2009 10:42:52 AM by larryg

ADDITION DATE	PART NUMBER	BORE TOLERANCES		TORQUES (lbin)			TORSIONAL FLEXIBILITY deg/lbin	MASS MOMENT OF INERTIA	COMMENTS	A1	A2
		+.002in -.000in	or +.05mm -.00mm	Non-reversing	Shock or Reversing	Momentary					
09 Mar 88	ACR112-11.94mm-11.94mm	11.94mm	11.94mm	21	10	42					
23 Jun 88	ACR112-12mm-4M	12.00mm	.120in	21	10	42					
09 Mar 88	ACR112-12mm-4	12.00mm	.125in	21	10	42					
	ACR112-12mm-6	12.00mm	.188in	21	10	42					
09 Mar 88	ACR112-12mm-8	12.00mm	.250in	21	10	42					
	ACR112-12mm-10	12.00mm	.313in	21	10	42					
09 Mar 88	ACR112-12mm-8mm	12.00mm	8.00mm	21	10	42					
09 Mar 88	ACR112-12mm-12	12.00mm	.375in	21	10	42					
23 Jun 88	ACR112-12mm-10mm	12.00mm	10.00mm	21	10	42					
13 Mar 89	ACR112-12mm-11mm	12.00mm	11.00mm	21	10	42					
	ACR112-12.5mm-8	12.50mm	.250in	21	10	42					
09 Mar 88	ACR112-16-3	.500in	.094in	20	10	40					
	ACR112-16-3mm	.500in	3.00mm	20	10	40					
09 Mar 88	ACR112-16-4M	.500in	.120in	20	10	40					
09 Mar 88	ACR112-16-4	.500in	.125in	20	10	40					
09 Mar 88	ACR112-16-5	.500in	.157in	20	10	40					
09 Mar 88	ACR112-16-4mm	.500in	4.00mm	20	10	40					
09 Mar 88	ACR112-16-6	.500in	.188in	20	10	40					
23 Jun 88	ACR112-16-5mm	.500in	5.00mm	20	10	40					
09 Mar 88	ACR112-16-7	.500in	.219in	20	10	40					
09 Mar 88	ACR112-16-5.92mm	.500in	5.92mm	20	10	40					
09 Mar 88	ACR112-16-5.95mm	.500in	5.95mm	20	10	40					
09 Mar 88	ACR112-16-6mm	.500in	6.00mm	20	10	40					
09 Mar 88	ACR112-16-8M	.500in	.240in	20	10	40					
09 Mar 88	ACR112-16-8	.500in	.250in	20	10	40					
09 Mar 88	ACR112-16-7mm	.500in	7.00mm	20	10	40					
	ACR112-16-9	.500in	.282in	20	10	40					
09 Mar 88	ACR112-16-10	.500in	.313in	20	10	40					
09 Mar 88	ACR112-16-8mm	.500in	8.00mm	20	10	40					
	ACR112-16-9mm	.500in	9.00mm	20	10	40					
09 Mar 88	ACR112-16-12	.500in	.375in	20	10	40					

*** NOTE: Bores greater than .512in Dia: bore depth is .450in**

APPROVALS _____ DATE _____

DRAWN _____

CHECKED _____

PRODN _____

ISSUED _____ 12/10/2009 10:42:34 AM

HELICAL PRODUCTS CO. INC
P.O. BOX 1069 SANTA MARIA, CA. 93456 U.S.A
PHONE (805) 928-3851 FSCI3201

TITLE **HELICAL FLEXIBLE SHAFT COUPLING**

TABULATED BORE SIZES

DWG NO **ACR112**

NOTICE: THE INFORMATION AND DATA CONTAINED HEREIN IS CONSIDERED PROPRIETARY TO HELICAL PRODUCTS COMPANY, INC., AND SHALL REMAIN THE EXCLUSIVE PROPERTY OF HELICAL. THE HOLDER WILL ASSUME CUSTODY AND CONTROL THAT THIS DOCUMENT WILL NOT BE COPIED, REPRODUCED OR DISCLOSED WITHOUT THE EXPRESS WRITTEN CONSENT OF HELICAL. POSSESSION OF THIS DOCUMENT DOES NOT CONSTITUTE A GRANT TO MANUFACTURE ANY ITEMS.

ADDITIONAL BORE SIZES AVAILABLE UPON REQUEST

Printed 12/10/2009 10:42:52 AM by larryvg

ADDITION DATE	PART NUMBER	BORE TOLERANCES		TORQUES (lbin)			TORSIONAL FLEXIBILITY deg/lbin	MASS MOMENT OF INERTIA	COMMENTS	A1	A2
		+.002in -.000in	or +.05mm -.00mm	Non-reversing	Shock or Reversing	Momentary					
09 Mar 88	ACR112-16-10mm	.500in	10.00mm	20	10	40					
09 Mar 88	ACR112-16-11mm	.500in	11.00mm	20	10	40					
23 Jun 88	ACR112-16-14	.500in	.438in	20	10	40					
	ACR112-16-11.55mm	.500in	11.55mm	20	10	40					
09 Mar 88	ACR112-16-12mm	.500in	12.00mm	20	10	40					
09 Mar 88	ACR112-16-16	.500in	.500in	20	10	40					
28 Nov 01	ACR112-13mm-6	13.00mm	.188in	20	10	40					
23 Jun 88	ACR112-13mm-7mm	13.00mm	7.00mm	20	10	40					
20 Oct 88	ACR112-14mm-12	*14.00mm	.375in	20	10	40		Clearance Diam.:	1.267in		
09 Mar 88	ACR112-14mm-12mm	*14.00mm	12.00mm	20	10	40		Clearance Diam.:	1.267in		
20 Oct 88	ACR112-14mm-16	*14.00mm	.500in	20	10	40		Clearance Diam.:	1.267in		
27 Sep 02	ACR112-18-12	*.563in	.375in	20	10	40		Clearance Diam.:	1.267in		
09 Mar 88	ACR112-18-15	*.563in	.469in	20	10	40		Clearance Diam.:	1.267in		
09 Mar 88	ACR112-18-16	*.563in	.500in	20	10	40		Clearance Diam.:	1.267in		
09 Mar 88	ACR112-15mm-6mm	*15.00mm	6.00mm	20	10	40		Clearance Diam.:	1.267in		
09 Mar 88	ACR112-15mm-8	*15.00mm	.250in	20	10	40		Clearance Diam.:	1.267in		
09 Mar 88	ACR112-15mm-12	*15.00mm	.375in	20	10	40		Clearance Diam.:	1.267in		
23 Jun 88	ACR112-15mm-16	*15.00mm	.500in	20	10	40		Clearance Diam.:	1.267in		
09 Mar 88	ACR112-20-6	*.625in	.188in	20	10	40		Clearance Diam.:	1.267in		
09 Mar 88	ACR112-20-8	*.625in	.250in	20	10	40		Clearance Diam.:	1.267in		
09 Mar 88	ACR112-20-10	*.625in	.313in	20	10	40		Clearance Diam.:	1.267in		
09 Mar 88	ACR112-20-12	*.625in	.375in	20	10	40		Clearance Diam.:	1.267in		
09 Mar 88	ACR112-20-16	*.625in	.500in	20	10	40		Clearance Diam.:	1.267in		
09 Mar 88	ACR112-20-20	*.625in	*.625in	20	10	40		Clearance Diam.:	1.267in		
09 Mar 88	ACR112-16mm-10mm	*16.00mm	10.00mm	20	10	40		Clearance Diam.:	1.267in		
09 Mar 88	ACR112-17mm-10	*17.00mm	.313in	20	10	40		Clearance Diam.:	1.267in		
	ACR112-17mm-16	*17.00mm	.500in	20	10	40		Clearance Diam.:	1.267in		

* NOTE: Bores greater than .512in Dia: bore depth is .450in

NOTICE: THE INFORMATION AND DATA CONTAINED HEREIN IS CONSIDERED PROPRIETARY TO HELICAL PRODUCTS COMPANY, INC., AND SHALL REMAIN THE EXCLUSIVE PROPERTY OF HELICAL. THE HOLDER WILL ASSUME CUSTODY AND CONTROL THAT THIS DOCUMENT WILL NOT BE COPIED, REPRODUCED OR DISCLOSED WITHOUT THE EXPRESS WRITTEN CONSENT OF HELICAL. POSSESSION OF THIS DOCUMENT DOES NOT CONSTITUTE A GRANT TO MANUFACTURE ANY ITEMS.

ADDITIONAL BORE SIZES AVAILABLE UPON REQUEST

APPROVALS DATE

DRAWN

CHECKED

PRODN

ISSUED

DATE

12/10/2009
10:42:34 AM

HELICAL PRODUCTS CO. INC

P.O. BOX 1069 SANTA MARIA, CA. 93456 U.S.A
PHONE (805) 928-3851/FSCI320I

TITLE HELICAL FLEXIBLE SHAFT COUPLING

TABULATED BORE SIZES

DWG NO

ACR112

Printed 12/10/2009 10:42:52 AM by larryv