

NOTES:

1 Refer to Secondary Sheet for Tabulated Data.

2 ϕ A1 and ϕ A2 shafts may near butt except:

When any Bore $> \phi .255$ the component shaft MAX penetration is .175
 or
 when both Bores $> \phi .255$ the component shaft MAX penetration is .175 & the MIN shaft end to shaft end is .400

3 Hubs and HELI-CAL FLEXURE are made from a single piece of material.

4 Set Screw attachment, hex socket, cup point set screw furnished: both hubs.

5 Backlash: None. No lubrication required.

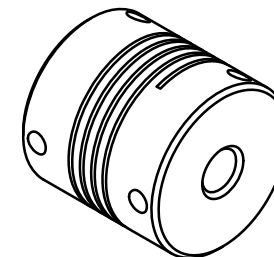
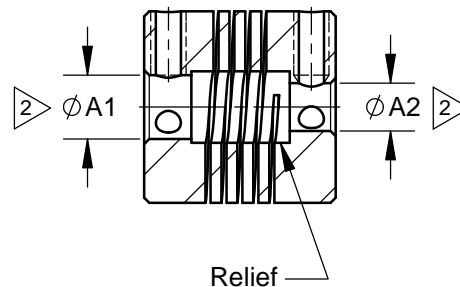
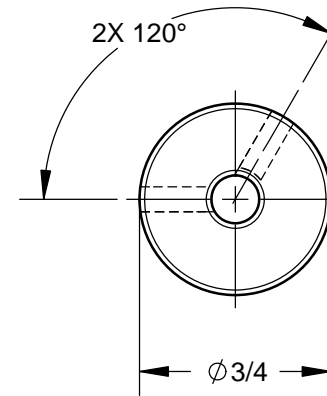
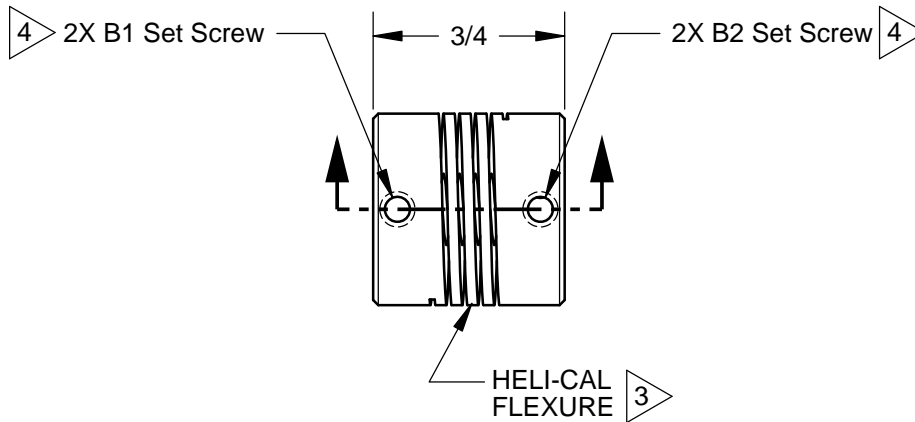
6 Permitted axial motion from free length: ± 0.10 .

7 RPM: Up to 10,000, depending on application.

8 Working torque ratings are based upon continuous duty with noted misalignments applied separately and may be increased with improved alignment. See Tabulated Sheet

9 Permissible shaft misalignment:
 Angular, up to 5 degrees.
 Offset, up to 0.10 (FIM, 0.20)

10 Weight based on AR075-8-6



NOTICE: THE INFORMATION AND DATA CONTAINED HEREIN IS CONSIDERED PROPRIETARY TO HELICAL PRODUCTS COMPANY, INC., AND SHALL REMAIN THE EXCLUSIVE PROPERTY OF HELICAL. THE HOLDER WILL ASSUME CUSTODY AND CONTROL THAT THIS DOCUMENT WILL NOT BE COPIED, REPRODUCED OR DISCLOSED WITHOUT THE EXPRESS WRITTEN CONSENT OF HELICAL. POSSESSION OF THIS DOCUMENT DOES NOT CONSTITUTE A GRANT TO MANUFACTURE ANY ITEM. Copyright HELICAL PRODUCTS CO. INC.

12-2-14	---	ECR#14102000 Added calc. weight	DCE	EK
07-23-13	---	Redrawn in Solidworks	CL	JAJ/EK
12-18-09	---	Finish was Chromic Acid Anodize; Updated GD&T	JAJ	HG
08-10-98	---	Clerical Format Update/ No Revision	BJM	MC
DATE	LTR	REVISION	APVR	

Unless otherwise specified all tolerances and dimensions are in inches.

Inch	Metric
X/XX \pm 1/64	X \pm 0.5mm
.XX \pm .01	X.X \pm 0.25mm
.XXX \pm .005	X.XX \pm 0.15mm

Angles $\pm 2^\circ$

Break sharp corners .010 MAX
 All surface finish 63 roughness
 Do Not Scale Drawing

		901 West McCoy Lane P.O. BOX 1069 SANTA MARIA, CA. 93456 U.S.A. PHONE (805) 928-3851 FSC13201	
		HELICAL PRODUCTS COMPANY, INC.	
DRAWN BY	DATE	TITLE	
MM	01-12-79	HELICAL FLEXIBLE SHAFT COUPLING	
CHECKED BY	DATE	MATL	
---	---	7075-T6 Aluminum Alloy	
APPRVD BY	DATE	FINISH	
---	---	Anodize IAW HPS1000	
WEIGHT (calculated)		DRAWING NUMBER	
12 g		AR075	
SHEET 1 of 4		REV	

TABULATED DATA

UOS all dimensions are in inches.
Copyright HELICAL PRODUCTS CO INC

MATERIAL: 7075-T6 Aluminum Alloy

FINISH: Anodize IAW HPS1000

Drawing Number

AR075

REV

DO NOT SCALE DRAWING

SHT 2 of 4

ITEM DESCRIPTION (Part Number)	BORE SIZES		SET SCREW		TORQUES (lbin)		
	∅A1	∅A2	B1	B2	Momentary	Non-Reversing	Shock or Reversing
AR075-3mm-2.5mm	3.00mm	2.50mm	#2-56	#2-56	24	12	6
AR075-3mm-3mm	3.00mm	3.00mm	#2-56	#2-56	24	12	6
AR075-4-3	.125in	.094in	#4-40	#2-56	24	12	6
AR075-4-3mm	.125in	3.00mm	#4-40	#2-56	24	12	6
AR075-4-4	.125in	.125in	#4-40	#4-40	24	12	6
AR075-5-4	.157in	.125in	#6-32	#4-40	22	11	5
AR075-5-5	.157in	.157in	#6-32	#6-32	22	11	5
AR075-6-2mm	.188in	2.00mm	#6-32	#1-72	20	10	5
AR075-6-3	.188in	.094in	#6-32	#2-56	20	10	5
AR075-6-4	.188in	.125in	#6-32	#4-40	20	10	5
AR075-6-5	.188in	.157in	#6-32	#6-32	20	10	5
AR075-6-4mm	.188in	4.00mm	#6-32	#6-32	20	10	5
AR075-6-6	.188in	.188in	#6-32	#6-32	20	10	5
AR075-5mm-3mm	5.00mm	3.00mm	#6-32	#2-56	20	10	5
AR075-5mm-4M	5.00mm	.120in	#6-32	#2-56	20	10	5
AR075-5mm-6	5.00mm	.188in	#6-32	#6-32	20	10	5
AR075-5mm-5mm	5.00mm	5.00mm	#6-32	#6-32	20	10	5
AR075-7-5	.219in	.157in	#6-32	#6-32	18	9	4
AR075-5.88mm-4	5.88mm	.125in	#6-32	#4-40	18	9	4
AR075-6mm-4	6.00mm	.125in	#6-32	#4-40	18	9	4
AR075-6mm-6	6.00mm	.188in	#6-32	#6-32	18	9	4
AR075-6mm-5mm	6.00mm	5.00mm	#6-32	#6-32	18	9	4
AR075-6mm-6mm	6.00mm	6.00mm	#6-32	#6-32	18	9	4
AR075-8M-6mm	.240in	6.00mm	#6-32	#6-32	18	9	4
AR075-6.1mm-6mm Superseded	6.10mm	6.00mm	---	---	---	---	---

TABULATED DATA

UOS all dimensions are in inches.
Copyright HELICAL PRODUCTS CO INC

MATERIAL: 7075-T6 Aluminum Alloy

FINISH: Anodize IAW HPS1000

Drawing Number

AR075

REV

DO NOT SCALE DRAWING

SHT 3 of 4

ITEM DESCRIPTION (Part Number)	BORE SIZES		SET SCREW		TORQUES (lbin)		
	∅A1	∅A2	B1	B2	Momentary	Non-Reversing	Shock or Reversing
AR075-8-2mm	.250in	2.00mm	#6-32	#1-72	18	9	4
AR075-8-3	.250in	.094in	#6-32	#2-56	18	9	4
AR075-8-2.5mm	.250in	2.50mm	#6-32	#2-56	18	9	4
AR075-8-3mm	.250in	3.00mm	#6-32	#2-56	18	9	4
AR075-8-4M	.250in	.120in	#6-32	#2-56	18	9	4
AR075-8-4	.250in	.125in	#6-32	#4-40	18	9	4
AR075-8-3.58mm	.250in	3.58mm	#6-32	#4-40	18	9	4
AR075-8-3.82mm	.250in	3.82mm	#6-32	#4-40	18	9	4
AR075-8-5	.250in	.157in	#6-32	#6-32	18	9	4
AR075-8-4mm	.250in	4.00mm	#6-32	#6-32	18	9	4
AR075-8-4.5mm	.250in	4.50mm	#6-32	#6-32	18	9	4
AR075-8-4.65mm	.250in	4.65mm	#6-32	#6-32	18	9	4
AR075-8-6	.250in	.188in	#6-32	#6-32	18	9	4
AR075-8-5mm	.250in	5.00mm	#6-32	#6-32	18	9	4
AR075-8-7	.250in	.219in	#6-32	#6-32	18	9	4
AR075-8-5.88mm	.250in	5.88mm	#6-32	#6-32	18	9	4
AR075-8-6mm	.250in	6.00mm	#6-32	#6-32	18	9	4
AR075-8-8	.250in	.250in	#6-32	#6-32	18	9	4
AR075-6.4mm-3.2mm	6.40mm	3.20mm	#6-32	#4-40	18	9	4
AR075-6.48mm-8	6.48mm	.250in	#6-32	#6-32	18	9	4
AR075-7mm-6mm	7.00mm	6.00mm	#6-32	#6-32	18	9	4
AR075-7.37mm-8	7.37mm	.250in	#6-32	#6-32	18	9	4
AR075-10-8	.313in	.250in	#6-32	#6-32	18	9	4
AR075-10-10	.313in	.313in	#6-32	#6-32	18	9	4
AR075-8mm-4	8.00mm	.125in	#6-32	#4-40	18	9	4
AR075-8mm-8	8.00mm	.250in	#6-32	#6-32	18	9	4
AR075-8mm-8mm	8.00mm	8.00mm	#6-32	#6-32	18	9	4
AR075-12-2mm	.375in	2.00mm	#6-32	#1-72	18	9	4
AR075-12-4M	.375in	.120in	#6-32	#2-56	18	9	4
AR075-12-4	.375in	.125in	#6-32	#4-40	18	9	4
AR075-12-6	.375in	.188in	#6-32	#6-32	18	9	4
AR075-12-5mm	.375in	5.00mm	#6-32	#6-32	18	9	4
AR075-12-6mm	.375in	6.00mm	#6-32	#6-32	18	9	4
AR075-12-8	.375in	.250in	#6-32	#6-32	18	9	4
AR075-12-8mm	.375in	8.00mm	#6-32	#6-32	18	9	4
AR075-12-12	.375in	.375in	#6-32	#6-32	18	9	4
AR075-10mm-8	10.00mm	.250in	#6-32	#6-32	18	9	4

TABULATED DATA

UOS all dimensions are in inches.
Copyright HELICAL PRODUCTS CO INC

MATERIAL: 7075-T6 Aluminum Alloy

FINISH: Anodize IAW HPS1000

Drawing Number

AR075

REV

DO NOT SCALE DRAWING

SHT 4 of 4

ITEM DESCRIPTION (Part Number)	BORE SIZES		SET SCREW		TORQUES (lbin)		
	∅A1	∅A2	B1	B2	Momentary	Non-Reversing	Shock or Reversing
AR075-14-3mm	.438in	3.00mm	#6-32	#2-56	18	9	4
AR075-14-8	.438in	.250in	#6-32	#6-32	18	9	4
AR075-16-4M	.500in	.120in	#6-32	#2-56	18	9	4
AR075-16-4	.500in	.125in	#6-32	#4-40	18	9	4
AR075-16-8	.500in	.250in	#6-32	#6-32	18	9	4
AR075-16-12	.500in	.375in	#6-32	#6-32	18	9	4
AR075-16-16	.500in	.500in	#6-32	#6-32	18	9	4