

NOTES: See Tabulated Sheet

- 1 Relief permits component shafts to near butt.
- 2 Hubs and HELI-CAL FLEXURE are made from a single piece of material.
- 3 Set Screw attachment, hex. socket, cup point set screw furnished: both hubs.

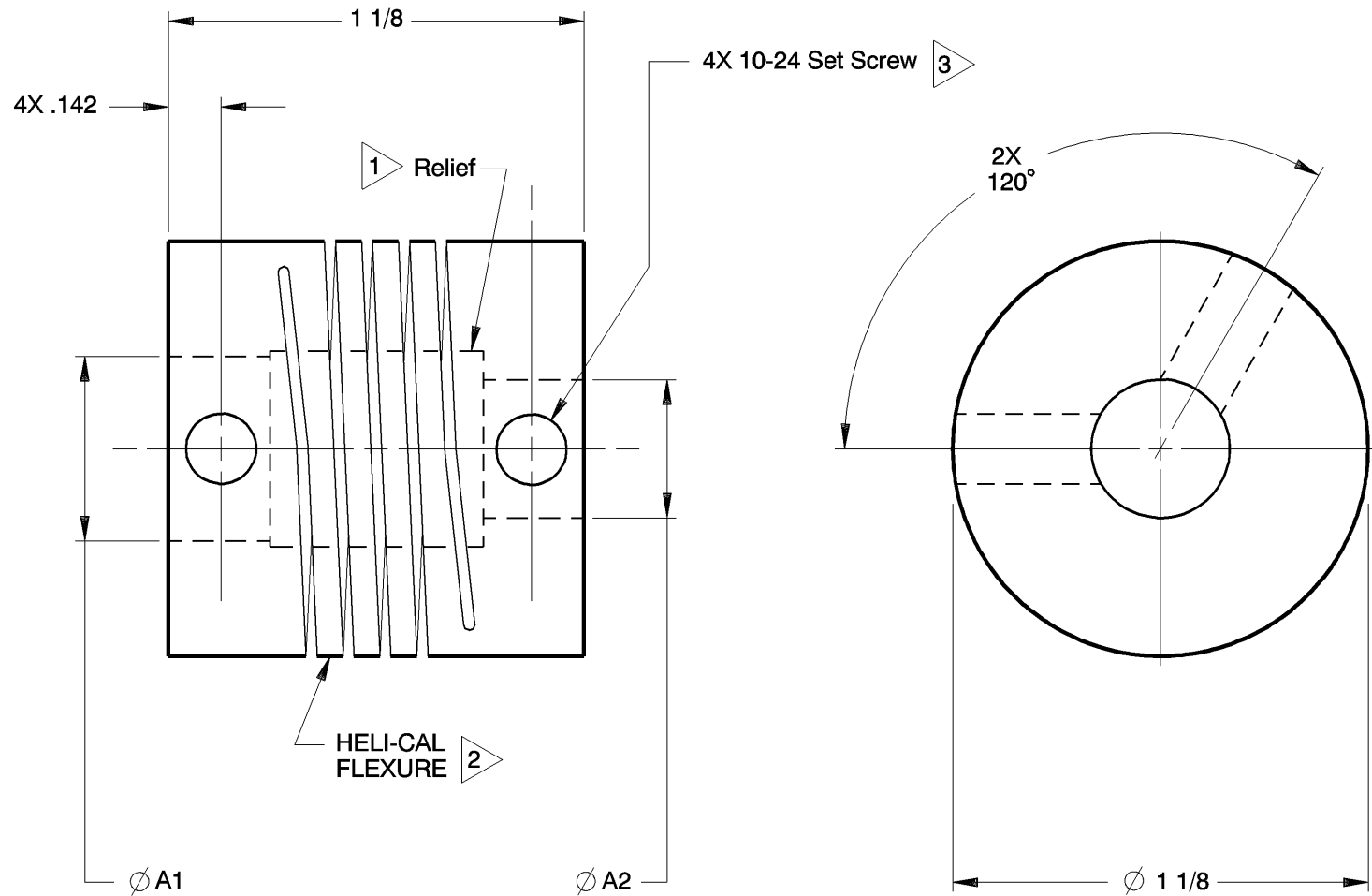
Set Screw size based on bore size:

- .118in thru .124in : 2-56
- .125in thru .155in : 4-40
- .156in thru .235in : 6-32
- .236in thru .630in : 10-24

- 4 Backlash: None. No lubrication required.
- 5 Permitted axial motion from free length: ± .010in.
- 6 RPM: Up to 10,000, depending upon application.
- 7 Working torque ratings are based upon continuous duty with noted misalignments applied separately and may be increased with improved alignment:

See Tabulated Sheet

- 8 Permissible shaft misalignment:  
Angular, up to 5 degrees.  
Offset, up to .010in.  
(TIR, .020in.)



AR112-16-12 SHOWN

NOTICE: THE INFORMATION AND DATA CONTAINED HEREIN IS CONSIDERED PROPRIETARY TO HELICAL PRODUCTS COMPANY, INC., AND SHALL REMAIN THE EXCLUSIVE PROPERTY OF HELICAL. THE HOLDER WILL ASSUME CUSTODY AND CONTROL THAT THIS DOCUMENT WILL NOT BE COPIED, REPRODUCED OR DISCLOSED WITHOUT THE EXPRESS WRITTEN CONSENT OF HELICAL. POSSESSION OF THIS DOCUMENT DOES NOT CONSTITUTE A GRANT TO MANUFACTURE ANY ITEMS.

DO NOT SCALE DRAWING.

12-18-09	---	Finish was Chromic Acid Anodize; Updated GD&T	HG	JAJ
8-10-98		Clerical format update/ No revision	BJM	MC
DATE	LTR	REVISION	CHK	

Unless otherwise noted dimensions in inches.  
  
Tolerances are:  
Fractions: ± 1/64  
Decimals: .XX ± .010  
.XXX ± .005  
.XXX ± .0010  
Angles: ± 2 degrees  
Break sharp corners .010 max.

APPROVALS	DATE
DRAWN MM	10-8-79
CHECKED MC	10-8-79
PRODN APA	10-8-79
ISSUED	
WEIGHT	43g (calc)
SCALE 2/1	SIZE A

<p><b>HELICAL PRODUCTS CO., INC.</b> P.O. BOX 1069 SANTA MARIA, CA. 93456 U.S.A PHONE (805) 928-3851 FSC13201</p>	
TITLE	HELICAL FLEXIBLE SHAFT COUPLING
MATERIAL	7075-T6 Aluminum Alloy
FINISH	Anodize per HPS1000
DWG NO	AR112

ADDITION DATE	PART NUMBER	BORE TOLERANCES		TORQUES (lbin)			TORSIONAL FLEXIBILITY deg/lbin	MASS MOMENT OF INERTIA	COMMENTS	A1	A2
		+.002in -.000in	or +.05mm -.00mm	Non-reversing	Shock or Reversing	Momentary					
16 Oct 90	AR112-8-4	.250in	.125in	32	16	64					
09 Mar 88	AR112-8-4.57mm	.250in	4.57mm	32	16	64					
	AR112-8-6	.250in	.188in	32	16	64					
	AR112-8-7	.250in	.219in	32	16	64					
09 Mar 88	AR112-8-8	.250in	.250in	32	16	64					
09 Mar 88	AR112-10-8	.313in	.250in	28	14	56					
09 Mar 88	AR112-10-10	.313in	.313in	28	14	56					
	AR112-8mm-8	8.00mm	.250in	28	14	56					
09 Mar 88	AR112-12-6mm	.375in	6.00mm	24	12	48					
09 Mar 88	AR112-12-8	.375in	.250in	24	12	48					
09 Mar 88	AR112-12-10	.375in	.313in	24	12	48					
09 Mar 88	AR112-12-12	.375in	.375in	24	12	48					
09 Mar 88	AR112-10mm-4M	10.00mm	.120in	24	12	48					
	AR112-10mm-8	10.00mm	.250in	24	12	48					
03 Mar 03	AR112-10mm-10	10.00mm	.313in	24	12	48					
09 Mar 88	AR112-10mm-12	10.00mm	.375in	24	12	48					
10 Sep 10	AR112-14-14	.438in	.438in	23	11	45					
07 Oct 02	AR112-15-8mm	.469in	8.00mm	21	11	42					
27 Jun 88	AR112-12mm-8	12.00mm	.250in	21	10	42					
01 Dec 03	AR112-12mm-10	12.00mm	.313in	21	10	42					
	AR112-12mm-12	12.00mm	.375in	21	10	42					
09 Mar 88	AR112-16-4M	.500in	.120in	20	10	40					
	AR112-16-4	.500in	.125in	20	10	40					
09 Mar 88	AR112-16-6	.500in	.188in	20	10	40					
	AR112-16-6mm	.500in	6.00mm	20	10	40					
09 Mar 88	AR112-16-8	.500in	.250in	20	10	40					
09 Mar 88	AR112-16-10	.500in	.313in	20	10	40					
	AR112-16-8mm	.500in	8.00mm	20	10	40					
09 Mar 88	AR112-16-12	.500in	.375in	20	10	40					
08 Jan 03	AR112-16-10mm	.500in	10.00mm	20	10	40					
04 Aug 04	AR112-16-10.49mm	.500in	10.49mm	20	10	40					

\* NOTE: Bores greater than .512in Dia: bore depth is .275in

NOTICE: THE INFORMATION AND DATA CONTAINED HEREIN IS CONSIDERED PROPRIETARY TO HELICAL PRODUCTS COMPANY, INC., AND SHALL REMAIN THE EXCLUSIVE PROPERTY OF HELICAL. THE HOLDER WILL ASSUME CUSTODY AND CONTROL THAT THIS DOCUMENT WILL NOT BE COPIED, REPRODUCED OR DISCLOSED WITHOUT THE EXPRESS WRITTEN CONSENT OF HELICAL. POSSESSION OF THIS DOCUMENT DOES NOT CONSTITUTE A GRANT TO MANUFACTURE ANY ITEMS.

**ADDITIONAL BORE SIZES AVAILABLE UPON REQUEST**

APPROVALS

DATE

DRAWN

CHECKED

PRODN

ISSUED

9/13/2010  
1:44:54 PM

HELICAL PRODUCTS CO. INC  
P.O. BOX 1069 SANTA MARIA, CA. 93456 U.S.A  
PHONE (805) 928-3851 FSCI320I

TITLE **HELICAL FLEXIBLE SHAFT COUPLING**

**TABULATED BORE SIZES**

DWG NO **AR112**

Printed 9/13/2010 1:45:15 PM by lerrvg

ADDITION DATE	PART NUMBER	BORE TOLERANCES		TORQUES (lbin)			TORSIONAL FLEXIBILITY deg/lbin	MASS MOMENT OF INERTIA	COMMENTS	A1	A2
		+.002in -.000in	or +.05mm -.00mm	Non-reversing	Shock or Reversing	Momentary					
	AR112-16-14	.500in	.438in	20	10	40					
08 Jan 03	AR112-16-12mm	.500in	12.00mm	20	10	40					
09 Mar 88	AR112-16-16	.500in	.500in	20	10	40					
09 Mar 88	AR112-14mm-16	*14.00mm	.500in	20	10	40					
	AR112-20-6mm	*.625in	6.00mm	20	10	40					
09 Mar 88	AR112-20-8	*.625in	.250in	20	10	40					
	AR112-20-10	*.625in	.313in	20	10	40					
23 Oct 89	AR112-20-12	*.625in	.375in	20	10	40					
	AR112-20-14	*.625in	.438in	20	10	40					
	AR112-20-16	*.625in	.500in	20	10	40					
27 Jun 88	AR112-20-20	*.625in	*.625in	20	10	40					
08 Oct 13	AR112-12mm-10mm	12.00mm	10.00mm	21	10	42					
09 Oct 13	AR112-20-10mm	.625in	10.00mm	20	10	40					

\* NOTE: Bores greater than .512in Dia: bore depth is .275in

NOTICE: THE INFORMATION AND DATA CONTAINED HEREIN IS CONSIDERED PROPRIETARY TO HELICAL PRODUCTS COMPANY, INC., AND SHALL REMAIN THE EXCLUSIVE PROPERTY OF HELICAL. THE HOLDER WILL ASSUME CUSTODY AND CONTROL THAT THIS DOCUMENT WILL NOT BE COPIED, REPRODUCED OR DISCLOSED WITHOUT THE EXPRESS WRITTEN CONSENT OF HELICAL. POSSESSION OF THIS DOCUMENT DOES NOT CONSTITUTE A GRANT TO MANUFACTURE ANY ITEMS.

**ADDITIONAL BORE SIZES AVAILABLE UPON REQUEST**

APPROVALS	DATE
DRAWN	
CHECKED	
PRODN	
ISSUED	9/13/2010 1:44:54 PM

HELICAL PRODUCTS CO. INC P.O. BOX 1069 SANTA MARIA, CA. 93456 U.S.A PHONE (805) 928-3851 FSC1320I	
TITLE	HELICAL FLEXIBLE SHAFT COUPLING
<b>TABULATED BORE SIZES</b>	
DWG NO	AR112

Printed 9/13/2010 1:45:15 PM by Larry