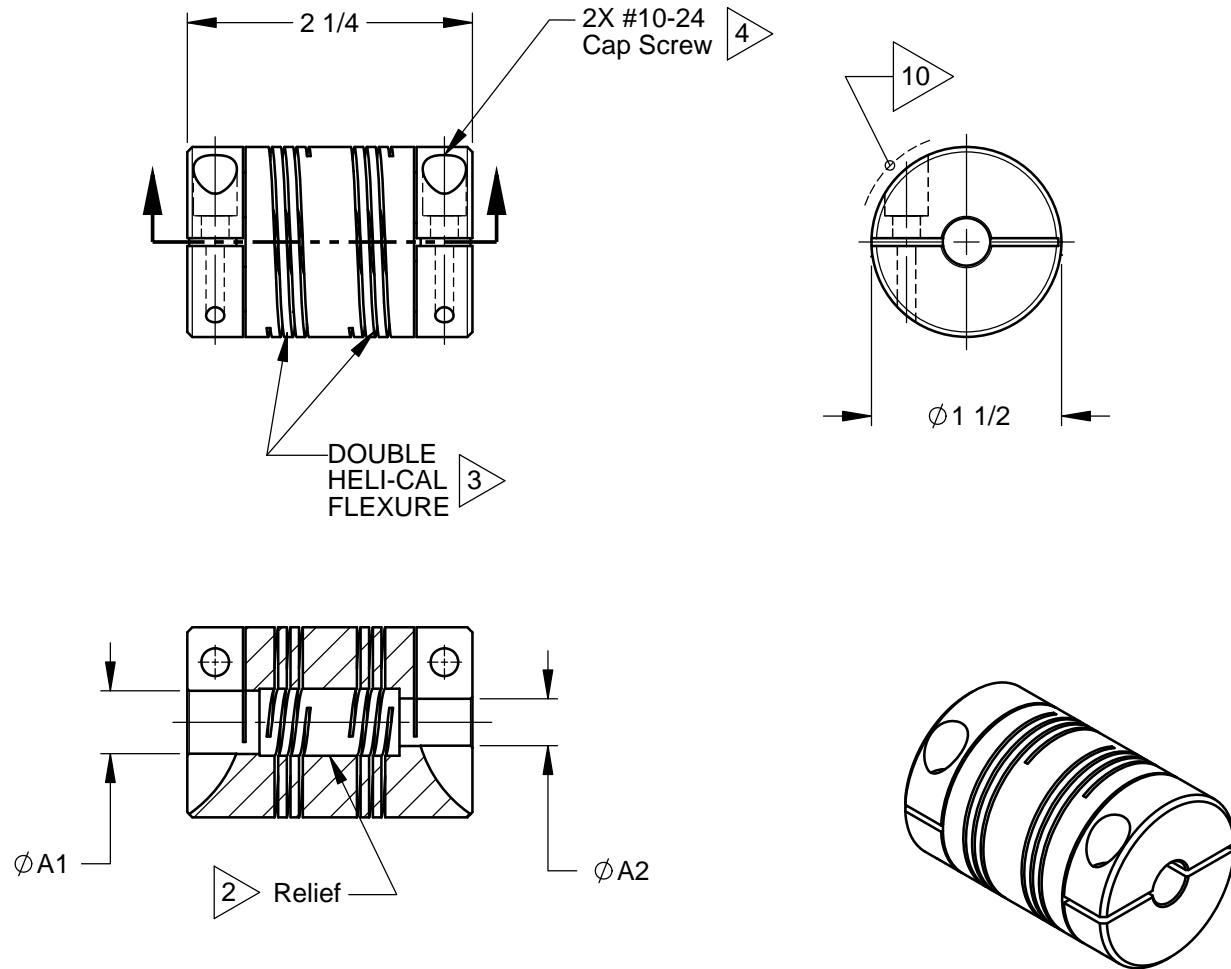


NOTES:

- 1 Refer to Secondary Sheets for Tabulated Data.
- 2 Relief permits component shafts to near butt except shaft penetration for bores > ϕ .630 is .575.
- 3 Hubs and HELI-CAL FLEXURE are made from a single piece of material.
- 4 Integral Clamp attachment, hex. socket, capscrew furnished: both hubs.
- 5 Backlash: None. No lubrication required.
- 6 Permitted axial motion from free length: \pm .008
- 7 RPM: Up to 10,000, depending upon application.
- 9 Working torque ratings are based upon continuous duty with noted misalignments applied separately and may be increased with improved alignment.
- 9 Permissible shaft misalignment: Angular, up to 3°
Offset, up to .010 (FIM, .020)
- 10 Part will have a ϕ 1.706 clearance diameter on both ends for any bore > ϕ .692 thru ϕ .908.



NOTICE: THE INFORMATION AND DATA CONTAINED HEREIN IS CONSIDERED PROPRIETARY TO HELICAL PRODUCTS COMPANY, AND SHALL REMAIN THE EXCLUSIVE PROPERTY OF HELICAL. THE HOLDER WILL ASSUME CUSTODY AND CONTROL THAT THIS DOCUMENT WILL NOT BE COPIED, REPRODUCED OR DISCLOSED WITHOUT THE EXPRESS WRITTEN CONSENT OF HELICAL. POSSESSION OF THIS DOCUMENT DOES NOT CONSTITUTE A GRANT TO MANUFACTURE ANY ITEM. Copyright HELICAL PRODUCTS CO.

10-01-12	---	Redrawn in Solidworks	JAJ	MH/EK
01-25-10	---	Revised IAW ECR #09121602	HG	JAJ
03-25-99	---	Clerical format update/ No Revision	BJM	MC
DATE	LTR	REVISION	APVR	

Unless otherwise specified all tolerances and dimensions are in inches.

Inch	Metric
X/XX= \pm 1/64	X= \pm 0.5mm
.XX= \pm .01	X.X= \pm 0.25mm
.XXX= \pm .005	X.XX= \pm 0.15mm
Angles \pm 2°	

Break sharp corners .010 MAX
All surface finish 63 roughness
Do Not Scale Drawing

		901 West McCoy Lane P.O. BOX 1069 SANTA MARIA, CA. 93456 U.S.A. PHONE (805) 928-3851 FSC13201	
		HELICAL PRODUCTS COMPANY	
DRAWN BY	DATE	TITLE	
BJM	06-30-99	HELICAL FLEXIBLE SHAFT COUPLING	
CHECKED BY	DATE	MATL	
MC	07-06-89	7075-T6 Aluminum Alloy	
APPRVD BY	DATE	FINISH	
DH	07-11-89	Anodize IAW HPS1000	
WEIGHT (calculated)		DRAWING NUMBER	
157g		DSAC150	
SHEET 1 of 3		REV	

TABULATED DATA

Copyright HELICAL PRODUCTS CO

MATERIAL: 7075-T6 Aluminum Alloy

FINISH: Anodize IAW HPS1000

Drawing Number

DSAC150

REV

DO NOT SCALE DRAWING

SHT 2 of 3

ITEM DESCRIPTION (Part Number)	BORE SIZES		TORQUES (lbin)		
	TOLERANCE +.002in or +0.05mm -.000 0		Momentary Dynamic	Non- Reversing	Reversing
	Ø A1	Ø A2			
DSAC150-12-5mm	.375in	5.00mm	130	65	32
DSAC150-12-6mm	.375in	6.00mm	130	65	32
DSAC150-12-8	.375in	.250in	130	65	32
DSAC150-12-10	.375in	.313in	130	65	32
DSAC150-12-9mm	.375in	9.00mm	130	65	32
DSAC150-12-12	.375in	.375in	130	65	32
DSAC150-10mm-12	10.00mm	.375in	130	65	32
DSAC150-14-12	.438in	.375in	123	61	31
DSAC150-12mm-12	12.00mm	.375in	119	59	30
DSAC150-12.5mm-12.5mm	12.50mm	12.50mm	116	58	29
DSAC150-16-6	.500in	.188in	115	57	29
DSAC150-16-6mm	.500in	6.00mm	115	57	29
DSAC150-16-8	.500in	.250in	115	57	29
DSAC150-16-7mm	.500in	7.00mm	115	57	29
DSAC150-16-10	.500in	.313in	115	57	29
DSAC150-16-8mm	.500in	8.00mm	115	57	29
DSAC150-16-9mm	.500in	9.00mm	115	57	29
DSAC150-16-12	.500in	.375in	115	57	29
DSAC150-16-10mm	.500in	10.00mm	115	57	29
DSAC150-16-11mm	.500in	11.00mm	115	57	29
DSAC150-16-14	.500in	.438in	115	57	29
DSAC150-16-12mm	.500in	12.00mm	115	57	29
DSAC150-16-16	.500in	.500in	115	57	29
DSAC150-13.11mm-12	13.11mm	.375in	112	56	28
DSAC150-13.11mm-14	13.11mm	.438in	112	56	28
DSAC150-14mm-12	14.00mm	.375in	107	53	27
DSAC150-14mm-16	14.00mm	.500in	107	53	27
DSAC150-14mm-14mm	14.00mm	14.00mm	107	53	27
DSAC150-18-16	.563in	.500in	105	52	26
DSAC150-18-14mm	.563in	14.00mm	105	52	26
DSAC150-18-18	.563in	.563in	105	52	26
DSAC150-15mm-12	15.00mm	.375in	100	50	25
DSAC150-20-6	.625in	.188in	94	47	24
DSAC150-20-8	.625in	.250in	94	47	24
DSAC150-20-10	.625in	.313in	94	47	24
DSAC150-20-8mm	.625in	8.00mm	94	47	24
DSAC150-20-9mm	.625in	9.00mm	94	47	24
DSAC150-20-9.45mm	.625in	9.45mm	94	47	24
DSAC150-20-12	.625in	.375in	94	47	24
DSAC150-20-10mm	.625in	10.00mm	94	47	24
DSAC150-20-11mm	.625in	11.00mm	94	47	24
DSAC150-20-14	.625in	.438in	94	47	24
DSAC150-20-12mm	.625in	12.00mm	94	47	24
DSAC150-20-16	.625in	.500in	94	47	24
DSAC150-20-14mm	.625in	14.00mm	94	47	24
DSAC150-20-20	.625in	.625in	94	47	24

TABULATED DATA

Copyright HELICAL PRODUCTS CO

MATERIAL: 7075-T6 Aluminum Alloy

FINISH: Anodize IAW HPS1000

Drawing Number

DSAC150

REV

DO NOT SCALE DRAWING

SHT 3 of 3

ITEM DESCRIPTION (Part Number)	BORE SIZES		TORQUES (lbin)		
	TOLERANCE +.002in or +0.05mm -.000 0		Momentary Dynamic	Non- Reversing	Reversing
	Ø A1	Ø A2			
DSAC150-16mm-6mm	16.00mm	6.00mm	94	47	23
DSAC150-16mm-8	16.00mm	.250in	94	47	23
DSAC150-16mm-10	16.00mm	.313in	94	47	23
DSAC150-16mm-12	16.00mm	.375in	94	47	23
DSAC150-16mm-10mm	16.00mm	10.00mm	94	47	23
DSAC150-16mm-16	16.00mm	.500in	94	47	23
DSAC150-17mm-10	17.00mm	.313in	94	47	24
DSAC150-17mm-20	17.00mm	.625in	94	47	24
DSAC150-22-8	.688in	.250in	94	47	24
DSAC150-22-8mm	.688in	8.00mm	94	47	24
DSAC150-22-12	.688in	.375in	94	47	24
DSAC150-22-10mm	.688in	10.00mm	94	47	24
DSAC150-22-16	.688in	.500in	94	47	24
DSAC150-22-20	.688in	.625in	94	47	24
DSAC150-18mm-12	18.00mm	.375in	94	47	24
DSAC150-18mm-10mm	18.00mm	10.00mm	94	47	24
DSAC150-18.75mm-6	18.75mm	.188in	94	47	24
DSAC150-18.75mm-6mm	18.75mm	6.00mm	94	47	24
DSAC150-24-10	.750in	.313in	94	47	24
DSAC150-24-12	.750in	.375in	94	47	24
DSAC150-24-10mm	.750in	10.00mm	94	47	24
DSAC150-24-12mm	.750in	12.00mm	94	47	24
DSAC150-24-16	.750in	.500in	94	47	24
DSAC150-24-14mm	.750in	14.00mm	94	47	24
DSAC150-24-20	.750in	.625in	94	47	24
DSAC150-24-24	.750in	.750in	94	47	24
DSAC150-20mm-6mm	20.00mm	6.00mm	94	47	24
DSAC150-20mm-16mm	20.00mm	16.00mm	94	47	24
DSAC150-26-12	.813in	.375in	94	47	24
DSAC150-22mm-6mm	22.00mm	6.00mm	94	47	24
DSAC150-22mm-8mm	22.00mm	8.00mm	94	47	24
DSAC150-28-6	.875in	.188in	94	47	24
DSAC150-28-8	.875in	.250in	94	47	24
DSAC150-28-10	.875in	.313in	94	47	24
DSAC150-28-8mm	.875in	8.00mm	94	47	24
DSAC150-28-12	.875in	.375in	94	47	24
DSAC150-28-16	.875in	.500in	94	47	24
DSAC150-28-20	.875in	.625in	94	47	24
DSAC150-28-17mm	.875in	17.00mm	94	47	24
DSAC150-28-28	.875in	.875in	94	47	24
DSAC150-23mm-12	23.00mm	.375in	94	47	24