

NOTES:

1 Refer to Secondary Sheets for Tabulated Data.

2  $\phi A1$  and  $\phi A2$  shafts may near butt except:

When any Bore  $> \phi .394$  the component shaft MAX penetration is .360.  
or  
when both Bores  $> .394$  the component shaft MAX penetration is .360 & the MIN shaft end to shaft end is 1.030.

3 Hubs and HELI-CAL FLEXURE are made from a single piece of material.

4 Set Screw attachment, hex. socket, cup point set screw furnished: both hubs.

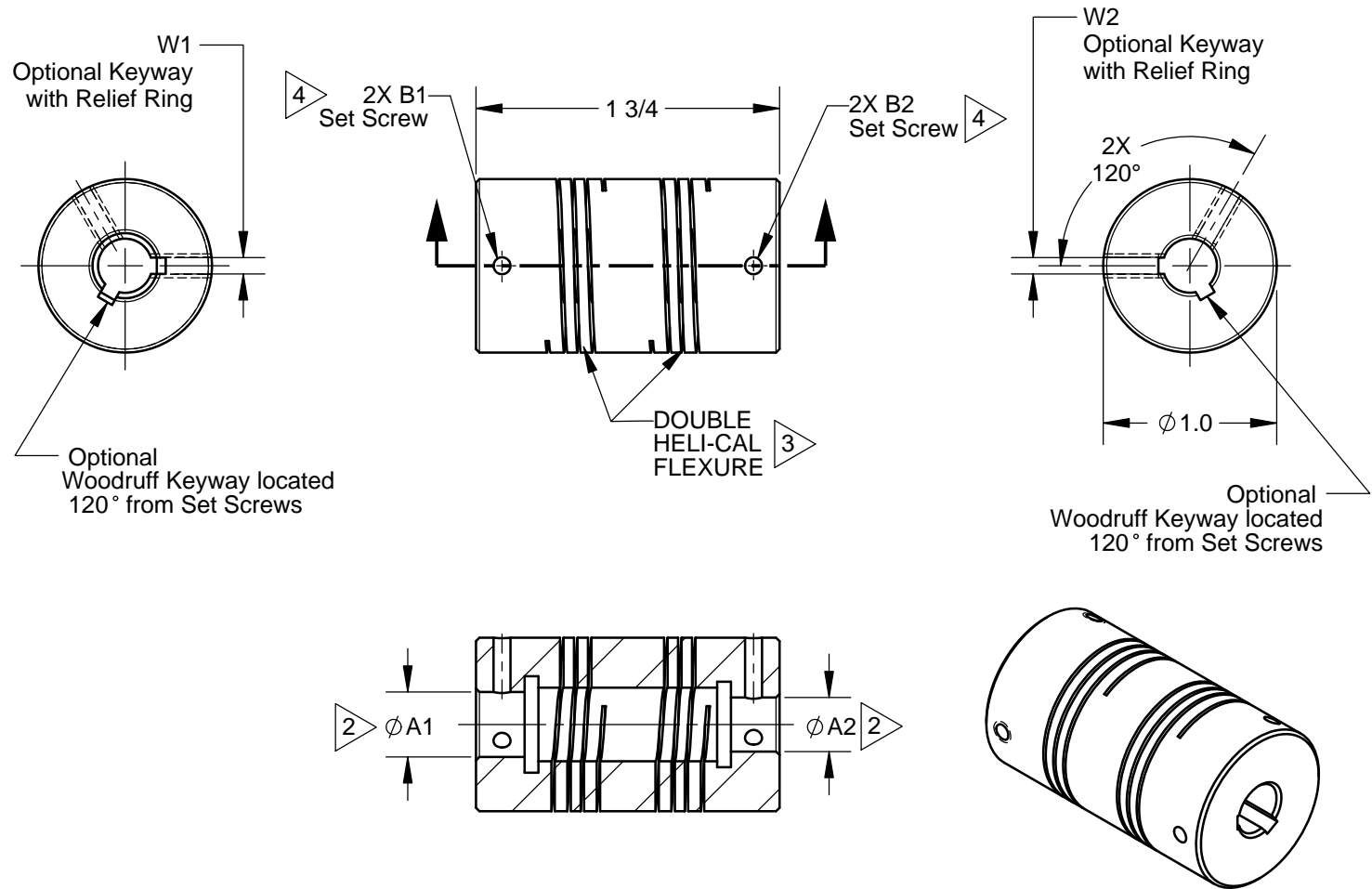
5 Backlash: None. No lubrication required.

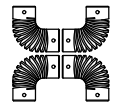
6 Permitted axial motion from free length:  $\pm .010$

7 Working torque ratings are based upon continuous duty with noted misalignments applied separately and may be increased with improved alignment:  
Refer to Tabulated Data

8 Permissible shaft misalignment:  
Angular, up to  $5^\circ$   
Offset, up to .030 (FIM, .060)

9 Weight based on MC7100-12K1-10K1



Description:					<b>HELICAL FLEXIBLE SHAFT COUPLING</b>																																																			
Finish:					Material:																																																			
Natural					17-4PH CRES HT																																																			
<table border="1"> <tr> <td></td> <td></td> <td></td> <td></td> <td></td> </tr> <tr> <td>03-03-16</td> <td>A</td> <td>Format Update</td> <td>KMS</td> <td>RV EK</td> </tr> <tr> <td>11-26-13</td> <td>---</td> <td>Revised IAW ECR #14102000</td> <td>DCE</td> <td>- EK</td> </tr> <tr> <td>Date</td> <td>Ltr.</td> <td>Revision</td> <td>Drwn.</td> <td>Chk. App.</td> </tr> <tr> <td>ER/01-06-82</td> <td></td> <td>MC/01-06-82</td> <td>APA/01-06-82</td> <td></td> </tr> <tr> <td>Drawn By/Date</td> <td></td> <td>Checked By/Date</td> <td>Approved By/Date</td> <td></td> </tr> </table>										03-03-16	A	Format Update	KMS	RV EK	11-26-13	---	Revised IAW ECR #14102000	DCE	- EK	Date	Ltr.	Revision	Drwn.	Chk. App.	ER/01-06-82		MC/01-06-82	APA/01-06-82		Drawn By/Date		Checked By/Date	Approved By/Date		<p>Unless Otherwise Specified All Tolerances &amp; Dimensions are in Inches</p> <table border="1"> <tr> <th>INCH</th> <th>Angles</th> <th>METRIC</th> </tr> <tr> <td>X/XX = <math>\pm 1/64</math></td> <td><math>\pm 2^\circ</math></td> <td>X = <math>\pm 0.5\text{mm}</math></td> </tr> <tr> <td>.XX = <math>\pm .01</math></td> <td></td> <td>X.X = <math>\pm 0.25\text{mm}</math></td> </tr> <tr> <td>.XXX = <math>\pm .005</math></td> <td></td> <td>X.XX = <math>\pm 0.15\text{mm}</math></td> </tr> </table> <p>All surface finish 63 roughness Break all sharp corners .010 MAX Interpret IAW ASME Y14.5 2009</p>					INCH	Angles	METRIC	X/XX = $\pm 1/64$	$\pm 2^\circ$	X = $\pm 0.5\text{mm}$	.XX = $\pm .01$		X.X = $\pm 0.25\text{mm}$	.XXX = $\pm .005$		X.XX = $\pm 0.15\text{mm}$	 <p><b>HELICAL</b> PRODUCTS COMPANY 901 West McCoy Lane, P.O. BOX 1069 SANTA MARIA, CA. 93456 U.S.A. PHONE (805) 928-3851 FSC13201</p> <p><small>NOTICE: THE INFORMATION AND DATA CONTAINED HEREIN IS CONSIDERED PROPRIETARY TO HELICAL PRODUCTS COMPANY, AND SHALL REMAIN THE EXCLUSIVE PROPERTY OF HELICAL. THE HOLDER WILL ASSUME CUSTODY AND CONTROL THAT THIS DOCUMENT WILL NOT BE COPIED, REPRODUCED OR DISCLOSED WITHOUT THE EXPRESS WRITTEN CONSENT OF HELICAL. POSSESSION OF THIS DOCUMENT DOES NOT CONSTITUTE A GRANT TO MANUFACTURE ANY ITEM. Copyright HELICAL PRODUCTS CO.</small></p>				
03-03-16	A	Format Update	KMS	RV EK																																																				
11-26-13	---	Revised IAW ECR #14102000	DCE	- EK																																																				
Date	Ltr.	Revision	Drwn.	Chk. App.																																																				
ER/01-06-82		MC/01-06-82	APA/01-06-82																																																					
Drawn By/Date		Checked By/Date	Approved By/Date																																																					
INCH	Angles	METRIC																																																						
X/XX = $\pm 1/64$	$\pm 2^\circ$	X = $\pm 0.5\text{mm}$																																																						
.XX = $\pm .01$		X.X = $\pm 0.25\text{mm}$																																																						
.XXX = $\pm .005$		X.XX = $\pm 0.15\text{mm}$																																																						
					DO NOT SCALE DRAWING SCALE: 1:1																																																			

**TABULATED DATA**  
Copyright HELICAL PRODUCTS CO.

Finish: **Natural**

Material: **17-4PH CRES HT**

Drawing No.: **MC7100**

Mfg Sht. No.: **2 of 3**

Rev. **A**

DO NOT SCALE DRAWING

Item No.: **VARIOUS**

ITEM DESCRIPTION (Part Number)	BORE SIZES		TORQUES (lbin)			SET SCREW THREAD		KEYWAY DIMS Width	
	TOLERANCE +0.002in or +0.05mm +0.0005 or 0		Momentary Dynamic	Non- Reversing	Shock or Reversing	B1	B2	TOLERANCE +0.002in or +0.05mm -0.000in or 0	
Ø A1	Ø A2	W1						W2	
MC7100-4mm-4mm	4.00mm	4.00mm	60	30	15	#6-32	#6-32	---	---
MC7100-5-5	.156	.156	60	30	15	#6-32	#6-32	---	---
MC7100-6.75mm-6.70mm	6.75mm	6.70mm	57	29	14	#10-32	#10-32	---	---
MC7100-8-5	.250	.157	60	30	15	#10-32	#10-32	---	---
MC7100-8-6	.250	.188	60	30	15	#10-32	#10-32	---	---
MC7100-8-8	.250	.250	60	30	15	#10-32	#10-32	---	---
MC7100-8mm-8mm	8.00mm	8.00mm	52	26	13	#10-32	#10-32	---	---
MC7100-9mmQ3-8	9.00mm	.250	42	21	10	#10-32	#10-32	3.00mm	---
MC7100-9.5mm-7mm	9.50mm	7.00mm	44	22	11	#10-32	#10-32	---	---
MC7100-9.63mm-8.13mm	9.63mm	8.13mm	44	22	11	#10-32	#10-32	---	---
MC7100-10mm-8	10.00mm	.250	44	22	11	#10-32	#10-32	---	---
MC7100-10mm-12	10.00mm	.375	44	22	11	#10-32	#10-32	---	---
MC7100-10mm-10mm	10.00mm	10.00mm	44	22	11	#10-32	#10-32	---	---
MC7100-10-8	.313	.250	52	26	13	#10-32	#10-32	---	---
MC7100-10-10	.313	.313	52	26	13	#10-32	#10-32	---	---
MC7100-10-5.08mm	.313	5.08mm	52	26	13	#10-32	#6-32	---	---
MC7100-11.75mm-11mm	11.75mm	11.00mm	44	22	11	#10-32	#10-32	---	---
MC7100-12-4	.375	.125	44	22	11	#10-32	#4-40	---	---
MC7100-12-6	.375	.188	44	22	11	#10-32	#6-32	---	---
MC7100-12-8	.375	.250	44	22	11	#10-32	#10-32	---	---
MC7100-12-10	.375	.313	44	22	11	#10-32	#10-32	---	---
MC7100-12-12	.375	.375	44	22	11	#10-32	#10-32	---	---
MC7100-12K1-10K1	.375	.313	44	22	11	#10-32	#10-32	.094	.094
MC7100-12K1-12K1	.375	.375	44	22	11	#10-32	#10-32	.094	.094
MC7100-12K1-12W02	.375	.375	44	22	11	#10-32	#10-32	.094	.064
MC7100-12K1-8mm	.375	8.00mm	44	22	11	#10-32	#10-32	.094	---
MC7100-12K3-12	.375	.375	44	22	11	#10-32	#10-32	.125	---
MC7100-12K3-12K3	.375	.375	44	22	11	#10-32	#10-32	.125	.125
MC7100-12K3-8mmQ2	.375	8.00mm	44	22	11	#10-32	#10-32	.125	2.00mm
MC7100-14mmQ5-6	14.00mm	.188	44	22	11	#10-32	#6-32	5.00mm	---
MC7100-15mm-8	15.00mm	.250	44	22	11	#10-32	#10-32	---	---

