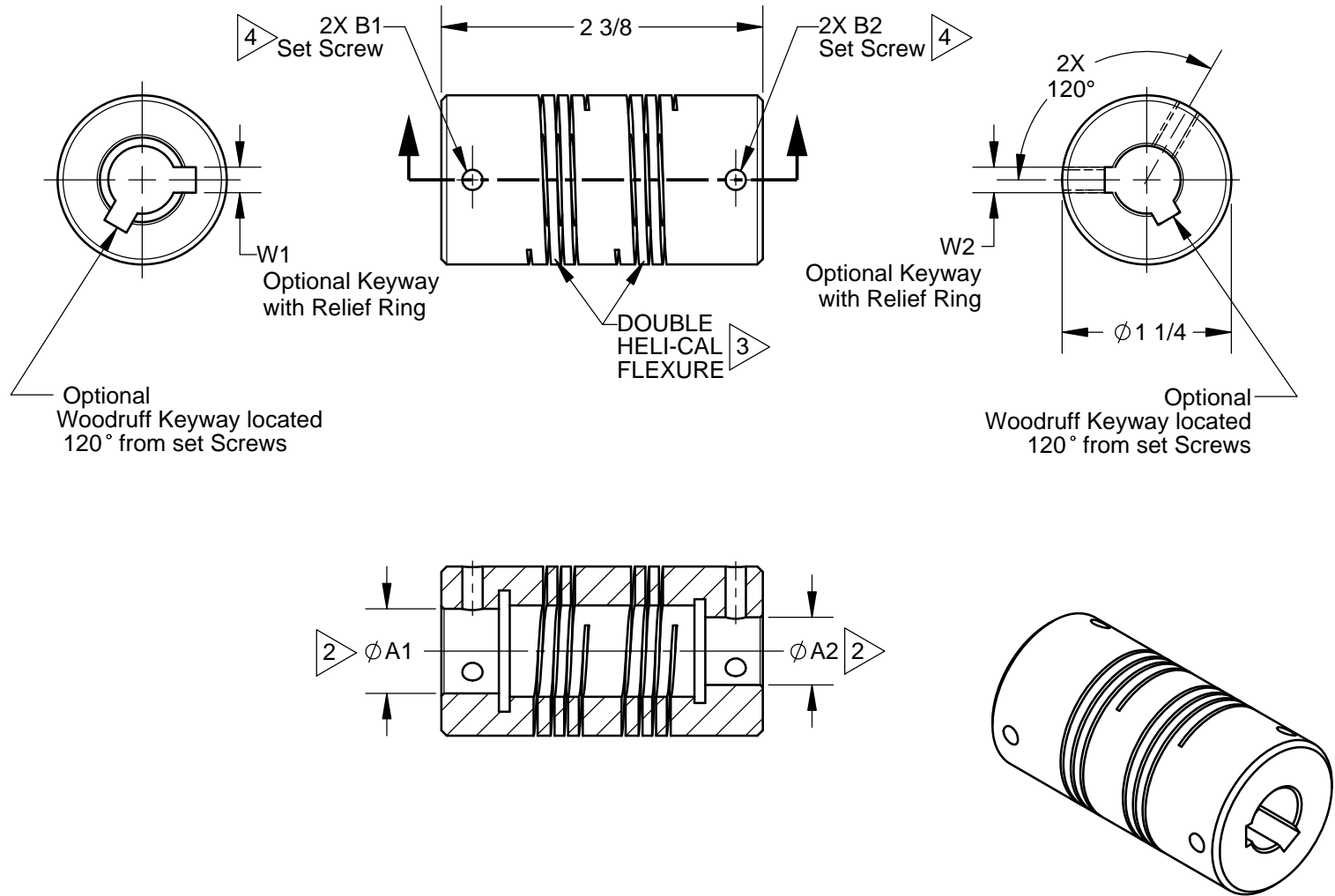


NOTES:

- 1 Refer to Secondary Sheet for Tabulated Data.
- 2 $\phi A1$ and $\phi A2$ shafts may near butt except:
 When any Bore $> \phi .630$ the component shaft MAX penetration is .505.
 or
 when both Bores $> \phi .630$ the component shaft MAX penetration is .505 & the MIN shaft end to shaft end is 1.365.
- 3 Hubs and HELI-CAL FLEXURE are made from a single piece of material.
- 4 Set Screw attachment, hex socket, cup point set screw furnished: both hubs.
- 5 Backlash: None.
No lubrication required.
- 6 Permitted axial motion from free length: $\pm .010$
- 7 Working torque ratings are based upon continuous duty with noted misalignments applied separately and may be increased with improved alignment:
Refer to Tabulated Data
- 8 Permissible shaft misalignment:
Angular, up to 5°
Offset, up to .030 (FIM, .060)
- 9 Weight based on MC7125-20K4-16K4



NOTICE: THE INFORMATION AND DATA CONTAINED HEREIN IS CONSIDERED PROPRIETARY TO HELICAL PRODUCTS COMPANY, INC., AND SHALL REMAIN THE EXCLUSIVE PROPERTY OF HELICAL. THE HOLDER WILL ASSUME CUSTODY AND CONTROL THAT THIS DOCUMENT WILL NOT BE COPIED, REPRODUCED OR DISCLOSED WITHOUT THE EXPRESS WRITTEN CONSENT OF HELICAL. POSSESSION OF THIS DOCUMENT DOES NOT CONSTITUTE A GRANT TO MANUFACTURE ANY ITEM.
Copyright
HELICAL PRODUCTS CO. INC.

11-25-14	---	ECR#14102000 Added calc. weight	DCE	EK
---	---	Redrawn in Solidworks	JAJ	---
02-01-99	---	Clerical Format Update/ No Revision	BJM	MC
DATE	LTR	REVISION	APVR	

Unless otherwise specified all tolerances and dimensions are in inches.

Inch	Metric
X/XX \pm 1/64	X \pm 0.5mm
.XX \pm .01	X.X \pm 0.25mm
.XXX \pm .005	X.XX \pm 0.15mm

Angles $\pm 2^\circ$

Break sharp corners .010 MAX
All surface finish 63 roughness
Do Not Scale Drawing



HELICAL
PRODUCTS COMPANY, INC.

901 West McCoy Lane
P.O. BOX 1069
SANTA MARIA, CA. 93456 U.S.A.
PHONE (805) 928-3851 FSC13201

DRAWN BY ER	DATE 01-06-82	TITLE HELICAL FLEXIBLE SHAFT COUPLING
CHECKED BY MC	DATE 01-06-82	MATL 17-4PH CRES HT
APPRVD BY APA	DATE 01-06-82	FINISH Natural
WEIGHT (calculated) 244 g		DRAWING NUMBER MC7125
SHEET 1 of 5		REV

TABULATED DATA

Copyright HELICAL PRODUCTS CO INC

MATERIAL: 17-4PH CRES HT

FINISH: Natural

Drawing Number

MC7125

REV

DO NOT SCALE DRAWING

SHT 2 of 5

ITEM DESCRIPTION (Part Number)	BORE SIZES		TORQUES (lbin)			SET SCREW THREAD		KEYWAY DIMS Width	
	TOLERANCE +0.002in or +0.05mm -0.000in or 0		Momentary Dynamic	Non- Reversing	Shock or Reversing	B1	B2	TOLERANCE +0.002in or +0.05mm -0.000in or 0	
	Ø A1	Ø A2						W1	W2
MC7125-10-10	.313in	.313in	124	62	31	1/4-28	1/4-28	---	---
MC7125-12-8	.375in	.250in	108	54	27	1/4-28	#10-32	---	---
MC7125-12-10	.375in	.313in	108	54	27	1/4-28	1/4-28	---	---
MC7125-12-12	.375in	.375in	108	54	27	1/4-28	1/4-28	---	---
MC7125-12K3-12K1	.375in	.375in	108	54	27	1/4-28	1/4-28	.125in	.094in
MC7125-10mm-8	10.00mm	.250in	104	52	26	1/4-28	#10-32	---	---
MC7125-10mm-12	10.00mm	.375in	104	52	26	1/4-28	1/4-28	---	---
MC7125-13-8	.407in	.250in	100	50	25	1/4-28	#10-32	---	---
MC7125-13-12	.407in	.375in	100	50	25	1/4-28	1/4-28	---	---
MC7125-14-14	.438in	.438in	94	47	23	1/4-28	1/4-28	---	---
MC7125-16-6	.500in	.188in	80	40	20	1/4-28	#6-32	---	---
MC7125-16-8	.500in	.250in	80	40	20	1/4-28	#10-32	---	---
MC7125-16-10	.500in	.313in	80	40	20	1/4-28	1/4-28	---	---
MC7125-16-11	.500in	.344in	80	40	20	1/4-28	1/4-28	---	---
MC7125-16-12	.500in	.375in	80	40	20	1/4-28	1/4-28	---	---
MC7125-16-12K3	.500in	.375in	80	40	20	1/4-28	1/4-28	---	.125in
MC7125-16K3-12	.500in	.375in	80	40	20	1/4-28	1/4-28	.125in	---
MC7125-16K3-12K1	.500in	.375in	80	40	20	1/4-28	1/4-28	.125in	.094in
MC7125-16K3-12K3	.500in	.375in	80	40	20	1/4-28	1/4-28	.125in	.125in
MC7125-16-10mmQ3	.500in	10.00mm	80	40	20	1/4-28	1/4-28	---	3.00mm
MC7125-16K3-10mm	.500in	10.00mm	80	40	20	1/4-28	1/4-28	.125in	---
MC7125-16K3-10mmQ4	.500in	10.00mm	80	40	20	1/4-28	1/4-28	.125in	4.00mm
MC7125-16K3-11mmQ4	.500in	11.00mm	80	40	20	1/4-28	1/4-28	.125in	4.00mm
MC7125-16-14	.500in	.438in	80	40	20	1/4-28	1/4-28	---	---
MC7125-16-12mm	.500in	12.00mm	80	40	20	1/4-28	1/4-28	---	---
MC7125-16K3-12mm	.500in	12.00mm	80	40	20	1/4-28	1/4-28	.125in	---
MC7125-16K3-12mmQ4	.500in	12.00mm	80	40	20	1/4-28	1/4-28	.125in	4.00mm
MC7125-16-16	.500in	.500in	80	40	20	1/4-28	1/4-28	---	---
MC7125-16K3-16	.500in	.500in	80	40	20	1/4-28	1/4-28	.125in	---
MC7125-16K3-16K3	.500in	.500in	80	40	20	1/4-28	1/4-28	.125in	.125in
MC7125-16K4-16K4	.500in	.500in	80	40	20	1/4-28	1/4-28	.188in	.188in

TABULATED DATA

Copyright HELICAL PRODUCTS CO INC

MATERIAL: 17-4PH CRES HT

FINISH: Natural

Drawing Number

MC7125

REV

DO NOT SCALE DRAWING

SHT 3 of 5

ITEM DESCRIPTION (Part Number)	BORE SIZES		TORQUES (lbin)			SET SCREW THREAD		KEYWAY DIMS Width	
	TOLERANCE +0.002in or +0.05mm -0.000in or 0		Momentary Dynamic	Non- Reversing	Shock or Reversing	B1	B2	TOLERANCE +0.002in or +0.05mm -0.000in or 0	
Ø A1	Ø A2	W1						W2	
MC7125-14mm-12K1	14.00mm	.375in	72	36	18	1/4-28	1/4-28	---	.094in
MC7125-14mmQ5-12K1	14.00mm	.375in	72	36	18	1/4-28	1/4-28	5.00mm	.094in
MC7125-14mmQ5-12K3	14.00mm	.375in	72	36	18	1/4-28	1/4-28	5.00mm	.125in
MC7125-14mm-16	14.00mm	.500in	72	36	18	1/4-28	1/4-28	---	---
MC7125-14mmQ5-16K3	14.00mm	.500in	72	36	18	1/4-28	1/4-28	5.00mm	.125in
MC7125-14mm-14mm	14.00mm	14.00mm	72	36	18	1/4-28	1/4-28	---	---
MC7125-14mmQ5-14mmQ5	14.00mm	14.00mm	72	36	18	1/4-28	1/4-28	5.00mm	5.00mm
MC7125-18-10	.563in	.313in	68	34	17	1/4-28	1/4-28	---	---
MC7125-18-15	.563in	.469in	68	34	17	1/4-28	1/4-28	---	---
MC7125-18-16	.563in	.500in	68	34	17	1/4-28	1/4-28	---	---
MC7125-18K3-16K3	.563in	.500in	68	34	17	1/4-28	1/4-28	.125in	.125in
MC7125-18-18	.563in	.563in	68	34	17	1/4-28	1/4-28	---	---
MC7125-15mmQ5-15mmQ5	15.00mm	15.00mm	62	31	15	1/4-28	1/4-28	5.00mm	5.00mm
MC7125-19-16	.594in	.500in	62	31	15	1/4-28	1/4-28	---	---

TABULATED DATA

Copyright HELICAL PRODUCTS CO INC

MATERIAL: 17-4PH CRES HT

FINISH: Natural

Drawing Number

MC7125

REV

DO NOT SCALE DRAWING

SHT 4 of 5

ITEM DESCRIPTION (Part Number)	BORE SIZES		TORQUES (lbin)			SET SCREW THREAD		KEYWAY DIMS Width	
	TOLERANCE +0.002in or +0.05mm -0.000in or 0		Momentary Dynamic	Non- Reversing	Shock or Reversing	B1	B2	TOLERANCE +0.002in or +0.05mm -0.000in or 0	
	Ø A1	Ø A2						W1	W2
MC7125-20K4-6mm	.625in	6.00mm	56	28	14	1/4-28	#10-32	.188in	---
MC7125-20-8	.625in	.250in	56	28	14	1/4-28	#10-32	---	---
MC7125-20K4-8	.625in	.250in	56	28	14	1/4-28	#10-32	.188in	---
MC7125-20-10	.625in	.313in	56	28	14	1/4-28	1/4-28	---	---
MC7125-20-12	.625in	.375in	56	28	14	1/4-28	1/4-28	---	---
MC7125-20K1-12	.625in	.375in	56	28	14	1/4-28	1/4-28	.094in	---
MC7125-20K3-12K1	.625in	.375in	56	28	14	1/4-28	1/4-28	.125in	.094in
MC7125-20K3-12K3	.625in	.375in	56	28	14	1/4-28	1/4-28	.125in	.125in
MC7125-20K4-12	.625in	.375in	56	28	14	1/4-28	1/4-28	.188in	---
MC7125-20K4-12K1	.625in	.375in	56	28	14	1/4-28	1/4-28	.188in	.094in
MC7125-20K4-12K3	.625in	.375in	56	28	14	1/4-28	1/4-28	.188in	.125in
MC7125-20-10mm	.625in	10.00mm	56	28	14	1/4-28	1/4-28	---	---
MC7125-20K4-10mm	.625in	10.00mm	56	28	14	1/4-28	1/4-28	.188in	---
MC7125-20K4-10mmQ3	.625in	10.00mm	56	28	14	1/4-28	1/4-28	.188in	3.00mm
MC7125-20-14	.625in	.438in	56	28	14	1/4-28	1/4-28	---	---
MC7125-20K4-14	.625in	.438in	56	28	14	1/4-28	1/4-28	.188in	---
MC7125-20-12mm	.625in	12.00mm	56	28	14	1/4-28	1/4-28	---	---
MC7125-20K4-12mmQ4	.625in	12.00mm	56	28	14	1/4-28	1/4-28	.188in	4.00mm
MC7125-20-16	.625in	.500in	56	28	14	1/4-28	1/4-28	---	---
MC7125-20-16K3	.625in	.500in	56	28	14	1/4-28	1/4-28	---	.125in
MC7125-20K4-16	.625in	.500in	56	28	14	1/4-28	1/4-28	.188in	---
MC7125-20K4-16K3	.625in	.500in	56	28	14	1/4-28	1/4-28	.188in	.125in
MC7125-20K4-16K4	.625in	.500in	56	28	14	1/4-28	1/4-28	.188in	.188in
MC7125-20K4-18K3	.625in	.563in	56	28	14	1/4-28	1/4-28	.188in	.125in
MC7125-20-15.83mm	.625in	15.83mm	56	28	14	1/4-28	1/4-28	---	---
MC7125-20-20	.625in	.625in	56	28	14	1/4-28	1/4-28	---	---
MC7125-20K3-20K3	.625in	.625in	56	28	14	1/4-28	1/4-28	.125in	.125in
MC7125-20K4-20	.625in	.625in	56	28	14	1/4-28	1/4-28	.188in	---
MC7125-20K4-20K4	.625in	.625in	56	28	14	1/4-28	1/4-28	.188in	.188in
MC7125-20W05-20K4	.625in	.625in	56	28	14	1/4-28	1/4-28	.157in	.188in
MC7125-16mm-6mm	16.00mm	6.00mm	56	28	14	1/4-28	1/4-28	---	---
MC7125-16mm-20	16.00mm	.625in	56	28	14	1/4-28	1/4-28	---	---
MC7125-16mmQ5-20K4	16.00mm	.625in	56	28	14	1/4-28	1/4-28	5.00mm	.188in

TABULATED DATA

Copyright HELICAL PRODUCTS CO INC

MATERIAL: 17-4PH CRES HT

FINISH: Natural

Drawing Number

MC7125

REV

DO NOT SCALE DRAWING

SHT 5 of 5

ITEM DESCRIPTION (Part Number)	BORE SIZES		TORQUES (lbin)			SET SCREW THREAD		KEYWAY DIMS Width	
	TOLERANCE +.002in or +0.05mm -.000in or 0		Momentary Dynamic	Non- Reversing	Shock or Reversing	B1	B2	TOLERANCE +.002in or +0.05mm -.000in or 0	
Ø A1	Ø A2	W1						W2	
MC7125-24-10mm	.750in	10.00mm	56	28	14	1/4-28	1/4-28	---	---
MC7125-24-16	.750in	.500in	56	28	14	1/4-28	1/4-28	---	---
MC7125-24K3-16K3	.750in	.500in	56	28	14	1/4-28	1/4-28	.125in	.125in
MC7125-24K4-16K3	.750in	.500in	56	28	14	1/4-28	1/4-28	.188in	.125in
MC7125-24W06-16K3	.750in	.500in	56	28	14	1/4-28	1/4-28	.189in	.125in
MC7125-24K4-15mmQ5	.750in	15.00mm	56	28	14	1/4-28	1/4-28	.188in	5.00mm
MC7125-24-20	.750in	.625in	56	28	14	1/4-28	1/4-28	---	---
MC7125-24-20K4	.750in	.625in	56	28	14	1/4-28	1/4-28	---	.188in
MC7125-24W06-20K4	.750in	.625in	56	28	14	1/4-28	1/4-28	.189in	.188in
MC7125-24K4-24K4	.750in	.750in	56	28	14	1/4-28	1/4-28	.188in	.188in