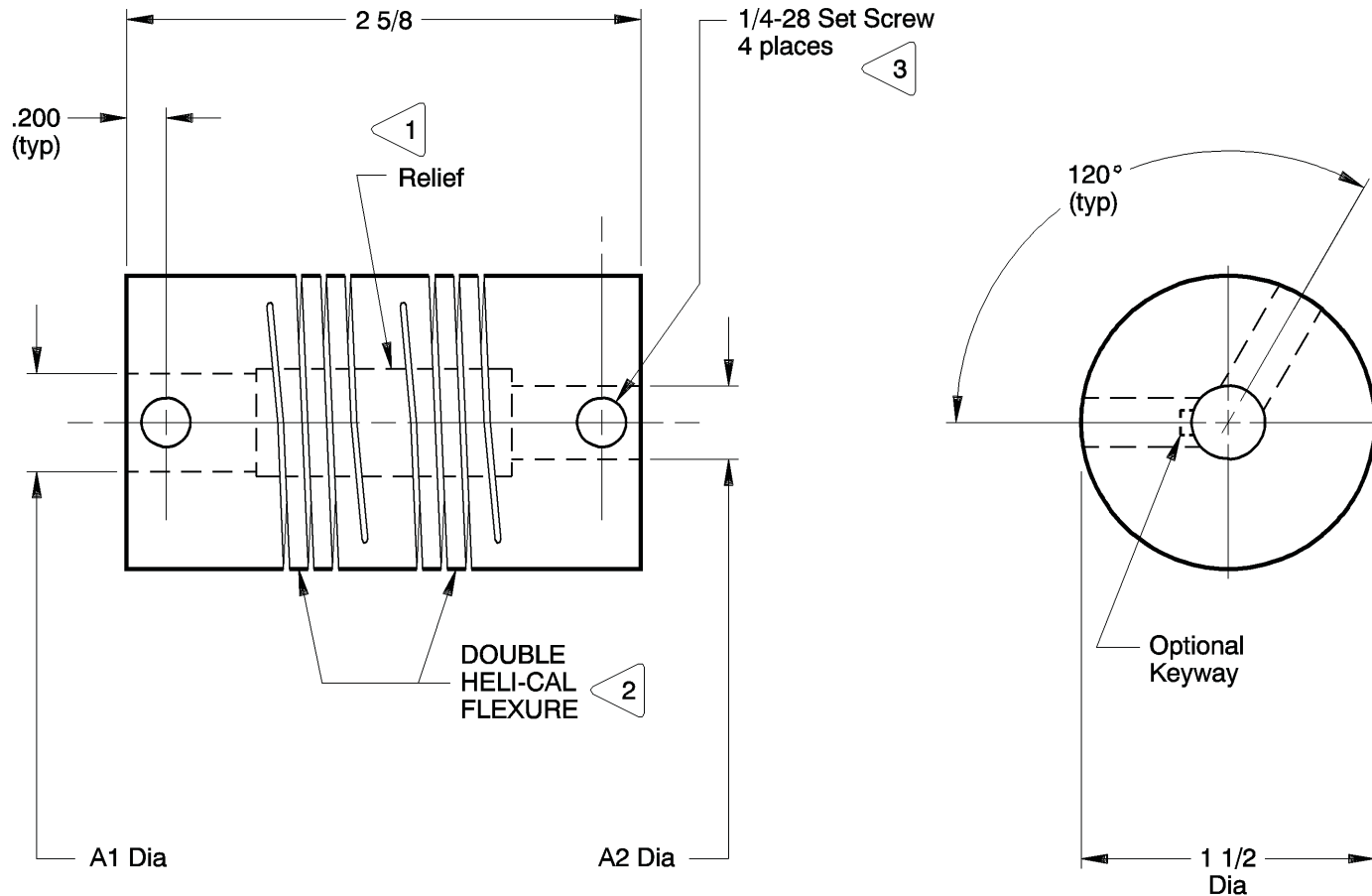


NOTES: See Tabulated Sheet

- 1 Relief permits component shafts to near butt.
- 2 Hubs and HELI-CAL FLEXURE are made from a single piece of material.
- 3 Set Screw attachment, hex. socket, cup point set screw furnished: both hubs. Set Screw size based on bore size:  
 .188in thru .235in : 6-32  
 .236in thru .312in : 10-32  
 .313in thru 1.000in : 1/4-28
- 4 Backlash: None. No lubrication required.
- 5 Permitted axial motion from free length: ± .010in.
- 6 Working torque ratings are based upon continuous duty with noted misalignments applied separately and may be increased with improved alignment: See Tabulated Sheet
- 7 Permissible shaft misalignment:  
 Angular, up to 5 degrees.  
 Offset, up to .030in.  
 (TIR, .060in.)



MC7 150-16-12 SHOWN

NOTICE: THE INFORMATION AND DATA CONTAINED HEREIN IS CONSIDERED PROPRIETARY TO HELICAL PRODUCTS COMPANY, INC., AND SHALL REMAIN THE EXCLUSIVE PROPERTY OF HELICAL. THE HOLDER WILL ASSUME CUSTODY AND CONTROL THAT THIS DOCUMENT WILL NOT BE COPIED, REPRODUCED OR DISCLOSED WITHOUT THE EXPRESS WRITTEN CONSENT OF HELICAL. POSSESSION OF THIS DOCUMENT DOES NOT CONSTITUTE A GRANT TO MANUFACTURE ANY ITEMS.

DO NOT SCALE DRAWING.

2-1-99 DATE LTR REVISION				Clerical format update/ No revision BJM MC		Unless otherwise noted dimensions in inches. Inch Fractions: ± 1/64 Decimals: .XX ± .010 .XXX ± .005 .XXXX ± .0010 Metric Decimals: X ± 0.5mm X.X ± 0.25mm X.XX ± 0.15mm Angles: ± 2 degrees Break sharp corners .010 max.		APPROVALS	DATE	HELICAL PRODUCTS CO., INC. P.O. BOX 1069 SANTA MARIA, CA. 93456 U.S.A PHONE (805) 928-3851 FSC13201		
								DRAWN	ER			1-27-82
CHECKED	MC	1-27-82	TITLE	HELICAL FLEXIBLE SHAFT COUPLING								
2-1-99 DATE LTR REVISION				BJM MC		507g (calc)		PRODN	APA	1-27-82	MATERIAL	17-4PH CRES HT
								ISSUED			FINISH	Natural
2-1-99 DATE LTR REVISION				BJM MC		SCALE 1/1 SIZE A		DWG NO		MC7 150		

ADDITION DATE	PART NUMBER	BORE TOLERANCES		TORQUES (lbin)			TORSIONAL FLEXIBILITY deg/lbin	MASS MOMENT OF INERTIA	COMMENTS	A1	A2
		+0.002in -0.000in	or +0.05mm -0.00mm	Non-reversing	Shock or Reversing	Momentary					
		A1 Dia	A2 Dia								
09 Mar 88	MC7150-12-8	.375in	.250in	124	62	248					

**\* NOTE: Bores greater than .630in Dia: bore depth is .670in**

NOTICE: THE INFORMATION AND DATA CONTAINED HEREIN IS CONSIDERED PROPRIETARY TO HELICAL PRODUCTS COMPANY, INC., AND SHALL REMAIN THE EXCLUSIVE PROPERTY OF HELICAL. THE HOLDER WILL ASSUME CUSTODY AND CONTROL THAT THIS DOCUMENT WILL NOT BE COPIED, REPRODUCED OR DISCLOSED WITHOUT THE EXPRESS WRITTEN CONSENT OF HELICAL. POSSESSION OF THIS DOCUMENT DOES NOT CONSTITUTE A GRANT TO MANUFACTURE ANY ITEMS.

**ADDITIONAL BORE SIZES AVAILABLE UPON REQUEST**

APPROVALS	DATE
DRAWN	
CHECKED	
PRODN	
ISSUED	8/3/2011 10:16:11 AM

HELICAL PRODUCTS CO. INC  
P.O. BOX 1069 SANTA MARIA, CA. 93456 U.S.A  
PHONE (805) 928-3851 FSCI3201

TITLE **HELICAL FLEXIBLE SHAFT COUPLING**

**TABULATED BORE SIZES**

DWG NO **MC7150**

Printed 8/3/2011 10:18:02 AM by larry.g

ADDITION DATE	PART NUMBER	BORE TOLERANCES		TORQUES (lbin)			TORSIONAL FLEXIBILITY	MASS MOMENT OF INERTIA	COMMENTS	A1	A2	
		+.002in -.000in	or +.05mm -.00mm	Non-reversing	Shock or Reversing	Momentary						deg/lbin
09 Mar 88	MC7150-12-12	.375in	.375in	124	62	248						
	MC7150-12K1-12K1	.375in	.375in	124	62	248		Keyway Width:	.094/.096in	.094/.096in		
09 Mar 88	MC7150-10mm-10mm	10.00mm	10.00mm	120	60	240						
	MC7150-12mm-12	12.00mm	.375in	104	52	208						
	MC7150-12mmQ4-12Q3	12.00mm	.375in	104	52	208		Keyway Width:	4.00/4.05mm	3.00/3.05mm		
26 Mar 02	MC7150-12mmQ4-12mmQ4	12.00mm	12.00mm	104	52	208		Keyway Width:	4.00/4.05mm	4.00/4.05mm		
29 Jun 88	MC7150-16-8	.500in	.250in	100	50	200						
29 Jun 88	MC7150-16-10	.500in	.313in	100	50	200						
12 Sep 07	MC7150-16K3-10K1	.500in	.313in	100	50	200		Keyway Width:	.125/.127in	.094/.096in		
02 Aug 90	MC7150-16K3-12K1	.500in	.375in	100	50	200		Keyway Width:	.125/.127in	.094/.096in		
09 Mar 88	MC7150-16K3-12	.500in	.375in	100	50	200		Keyway Width:	.125/.127in			
09 Mar 88	MC7150-16K3-12K3	.500in	.375in	100	50	200		Keyway Width:	.125/.127in	.125/.127in		
09 Mar 88	MC7150-16-12	.500in	.375in	100	50	200						
	MC7150-16K3-11mmQ4	.500in	11.00mm	100	50	200		Keyway Width:	.125/.127in	4.00/4.05mm		
	MC7150-16K3-14K1	.500in	.438in	100	50	200		Keyway Width:	.125/.127in	.094/.096in		
16 May 08	MC7150-16K3-12mmQ4	.500in	12.00mm	100	50	200		Keyway Width:	.125/.127in	4.00/4.05mm		
21 Apr 08	MC7150-16K4-16K4	.500in	.500in	100	50	200		Keyway Width:	.188/.190in	.188/.190in		
03 Aug 11	MC7150-16W04-16W04	.500in	.500in	100	50	200		Keyway Width:	.126/.128in	.126/.128in		
								Woodruf Kwy. Series:	400	400		
09 Mar 88	MC7150-16-16	.500in	.500in	100	50	200						
09 Mar 88	MC7150-16K3-16K3	.500in	.500in	100	50	200		Keyway Width:	.125/.127in	.125/.127in		
	MC7150-16K3-16W03	.500in	.500in	100	50	200		Keyway Width:	.125/.127in	.095/.097in		
								Woodruf Kwy. Series:		300		
22 Feb 00	MC7150-14mmQ5-12	14.00mm	.375in	90	45	180		Keyway Width:	5.00/5.05mm			
	MC7150-14mm-12	14.00mm	.375in	90	45	180						
14 Mar 11	MC7150-14mmQ5-10mmQ3	14.00mm	10.00mm	90	45	180		Keyway Width:	5.00/5.05mm	3.00/3.05mm		
31 Oct 89	MC7150-14mm-14mm	14.00mm	14.00mm	90	45	180						
	MC7150-18K3-12W03	.563in	.375in	90	45	180		Keyway Width:	.125/.127in	.095/.097in		
								Woodruf Kwy. Series:		300		
	MC7150-18K4-14mmQ5	.563in	14.00mm	90	45	180		Keyway Width:	.188/.190in	5.00/5.05mm		
09 Mar 88	MC7150-15mm-15mm	15.00mm	15.00mm	80	40	160						
09 Mar 88	MC7150-15mmQ5-15mmQ5	15.00mm	15.00mm	80	40	160		Keyway Width:	5.00/5.05mm	5.00/5.05mm		

\* NOTE: Bores greater than .630in Dia: bore depth is .670in

NOTICE: THE INFORMATION AND DATA CONTAINED HEREIN IS CONSIDERED PROPRIETARY TO HELICAL PRODUCTS COMPANY, INC., AND SHALL REMAIN THE EXCLUSIVE PROPERTY OF HELICAL. THE HOLDER WILL ASSUME CUSTODY AND CONTROL THAT THIS DOCUMENT WILL NOT BE COPIED, REPRODUCED OR DISCLOSED WITHOUT THE EXPRESS WRITTEN CONSENT OF HELICAL. POSSESSION OF THIS DOCUMENT DOES NOT CONSTITUTE A GRANT TO MANUFACTURE ANY ITEMS.

**ADDITIONAL BORE SIZES AVAILABLE UPON REQUEST**

APPROVALS	DATE
DRAWN	
CHECKED	
PRODN	
ISSUED	8/3/2011 10:18:11 AM

HELICAL PRODUCTS CO. INC  
 P.O. BOX 1069 SANTA MARIA, CA. 93456 U.S.A  
 PHONE (805) 928-3851 FSCI3201

TITLE **HELICAL FLEXIBLE SHAFT COUPLING**

**TABULATED BORE SIZES**

DWG NO **MC7150**

Printed 8/3/2011 10:18:02 AM by Larryvg

ADDITION DATE	PART NUMBER	BORE TOLERANCES		TORQUES (lbin)			TORSIONAL FLEXIBILITY	MASS MOMENT OF INERTIA	COMMENTS	A1	A2	
		+.002in -.000in	or +.05mm -.00mm	Non-reversing	Shock or Reversing	Momentary						deg/lbin
29 Jun 88	MC7150-15.5mm-16	.1500in	.500in	77	39	155						
01 Feb 01	MC7150-20K4-6mm	.625in	6.00mm	76	38	152		Keyway Width:	.188/.190in			
14 Feb 90	MC7150-20-10	.625in	.313in	76	38	152						
28 Sep 88	MC7150-20K4-12K1	.625in	.375in	76	38	152		Keyway Width:	.188/.190in.094/.096in			
09 Mar 88	MC7150-20-12	.625in	.375in	76	38	152						
09 Mar 88	MC7150-20K4-12	.625in	.375in	76	38	152		Keyway Width:	.188/.190in			
10 Nov 06	MC7150-20K3-12	.625in	.375in	76	38	152		Keyway Width:	.125/.127in			
01 Apr 08	MC7150-20-10mm	.625in	10.00mm	76	38	152						
09 Mar 88	MC7150-20K4-10mm	.625in	10.00mm	76	38	152		Keyway Width:	.188/.190in			
09 Mar 88	MC7150-20-14	.625in	.438in	76	38	152						
09 Mar 88	MC7150-20K4-14K3	.625in	.438in	76	38	152		Keyway Width:	.188/.190in.125/.127in			
04 Nov 03	MC7150-20K3-14K1	.625in	.438in	76	38	152		Keyway Width:	.125/.127in.094/.096in			
	MC7150-20Q4-12mmQ4	.625in	12.00mm	76	38	152		Keyway Width:	4.00/4.05mm4.00/4.05mm			
12 Jul 04	MC7150-20K4-12mmQ4	.625in	12.00mm	76	38	152		Keyway Width:	.188/.190in4.00/4.05mm			
29 Jun 88	MC7150-20K4-12mm	.625in	12.00mm	76	38	152		Keyway Width:	.188/.190in			
29 Jun 88	MC7150-20-12mm	.625in	12.00mm	76	38	152						
16 May 08	MC7150-20K3-12mmQ4	.625in	12.00mm	100	50	200		Keyway Width:	.125/.127in4.00/4.05mm			
14 Oct 88	MC7150-20-16K3	.625in	.500in	76	38	152		Keyway Width:	.125/.127in			
09 Mar 88	MC7150-20-16	.625in	.500in	76	38	152						
09 Mar 88	MC7150-20K4-16K3	.625in	.500in	76	38	152		Keyway Width:	.188/.190in.125/.127in			
09 Mar 88	MC7150-20W04-16K3	.625in	.500in	76	38	152		Keyway Width:	.126/.128in.125/.127in			
								Woodruf Kwy. Series: 400				
21 May 02	MC7150-20K3-16K3	.625in	.500in	76	38	152		Keyway Width:	.125/.127in.125/.127in			
09 Mar 88	MC7150-20K4-16	.625in	.500in	76	38	152		Keyway Width:	.188/.190in			
05 Jun 89	MC7150-20K4-14mmQ5	.625in	14.00mm	76	38	152		Keyway Width:	.188/.190in5.00/5.05mm			
09 Mar 88	MC7150-20-18	.625in	.563in	76	38	152						
09 Mar 88	MC7150-20-20	.625in	.625in	76	38	152						
09 Mar 88	MC7150-20K4-20K4	.625in	.625in	76	38	152		Keyway Width:	.188/.190in.188/.190in			
09 Mar 88	MC7150-20-20K4	.625in	.625in	76	38	152		Keyway Width:	.188/.190in			
	MC7150-20K3-20K3	.625in	.625in	76	38	152		Keyway Width:	.125/.127in.125/.127in			
19 Oct 10	MC7150-20K3-20	.625in	.625in	76	38	152		Keyway Width:	.125/.127in			
09 Mar 88	MC7150-20Q5-20Q5	.625in	.625in	76	38	152		Keyway Width:	5.00/5.05mm5.00/5.05mm			

\* NOTE: Bores greater than .630in Dia: bore depth is .670in

NOTICE: THE INFORMATION AND DATA CONTAINED HEREIN IS CONSIDERED PROPRIETARY TO HELICAL PRODUCTS COMPANY, INC., AND SHALL REMAIN THE EXCLUSIVE PROPERTY OF HELICAL. THE HOLDER WILL ASSUME CUSTODY AND CONTROL THAT THIS DOCUMENT WILL NOT BE COPIED, REPRODUCED OR DISCLOSED WITHOUT THE EXPRESS WRITTEN CONSENT OF HELICAL. POSSESSION OF THIS DOCUMENT DOES NOT CONSTITUTE A GRANT TO MANUFACTURE ANY ITEMS.

**ADDITIONAL BORE SIZES AVAILABLE UPON REQUEST**

APPROVALS	DATE	HELICAL PRODUCTS CO. INC P.O. BOX 1069 SANTA MARIA, CA. 93456 U.S.A PHONE (805) 928-3851 FSCI3201
DRAWN		
CHECKED		
PRODN		
ISSUED	8/3/2011	
		TITLE
		<b>HELICAL FLEXIBLE SHAFT COUPLING</b>
		<b>TABULATED BORE SIZES</b>
DWG NO		MC7150

Printed 8/3/2011 10:18:02 AM by Larryvg

ADDITION DATE	PART NUMBER	BORE TOLERANCES		TORQUES (lbin)			TORSIONAL FLEXIBILITY deg/lbin	MASS MOMENT OF INERTIA	COMMENTS	A1	A2
		+.002in -.000in	or +.05mm -.00mm	Non-reversing	Shock or Reversing	Momentary					
		A1 Dia	A2 Dia								
08 Jul 10	MC7150-20K4-20	.625in	.625in	76	38	152					
	MC7150-16mmQ5-12K3	16.00mm	.375in	76	38	152					
29 Jun 88	MC7150-16mmQ5-16K3	16.00mm	.500in	76	38	152					
	MC7150-16mm-18	16.00mm	.563in	76	38	152					
09 Mar 88	MC7150-16mmQ5-20K4	16.00mm	.625in	76	38	152					
29 Jun 88	MC7150-16mm-16mm	16.00mm	16.00mm	76	38	152					
29 Jun 88	MC7150-17mm-20	*17.00mm	.625in	76	38	152					
	MC7150-22-20	*.688in	.625in	76	38	152					
29 Jun 88	MC7150-23-20K4	*.719in	.625in	76	38	152					
	MC7150-19mmQ6-12K3	*19.00mm	.375in	76	38	152					
	MC7150-24Q6-12K3	*.750in	.375in	76	38	152					
	MC7150-24-12	*.750in	.375in	76	38	152					
	MC7150-24K4-12	*.750in	.375in	76	38	152					
09 Mar 88	MC7150-24K4-10mm	*.750in	10.00mm	76	38	152					
	MC7150-24-16	*.750in	.500in	76	38	152					
	MC7150-24K4-16K3	*.750in	.500in	76	38	152					
03 Aug 04	MC7150-24K4-16K4	*.750in	.500in	76	38	152					
	MC7150-24K4-20K4	*.750in	.625in	76	38	152					
09 Mar 88	MC7150-24-24	*.750in	*.750in	76	38	152					
29 Jun 88	MC7150-24K4-24K4	*.750in	*.750in	76	38	152					
19 Oct 10	MC7150-24K5-24K4	*.750in	*.750in	76	38	152					
22 Feb 00	MC7150-20mmQ6-12	*20.00mm	.375in	76	38	152					
	MC7150-28-12	*.875in	.375in	76	38	152					
09 Mar 88	MC7150-28-16	*.875in	.500in	76	38	152					
17 Dec 03	MC7150-28-20	*.875in	.625in	76	38	152					
09 Mar 88	MC7150-28-28	*.875in	*.875in	76	38	152					
	MC7150-32-10	*1.000in	.313in	76	38	152					
	MC7150-32-16K3	*1.000in	.500in	76	38	152					
09 May 02	MC7150-32-20	*1.000in	.625in	76	38	152					
	MC7150-32-24	*1.000in	*.750in	76	38	152					
	MC7150-32-25mm	*1.000in	*25.00mm	76	38	152					
24 OCT 13	MC7150-20K3-15mmQ5	.625in	15.00mm	76	38	152					

\* NOTE: Bores greater than .630in Dia: bore depth is .670in

NOTICE: THE INFORMATION AND DATA CONTAINED HEREIN IS CONSIDERED PROPRIETARY TO HELICAL PRODUCTS COMPANY, INC., AND SHALL REMAIN THE EXCLUSIVE PROPERTY OF HELICAL. THE HOLDER WILL ASSUME CUSTODY AND CONTROL THAT THIS DOCUMENT WILL NOT BE COPIED, REPRODUCED OR DISCLOSED WITHOUT THE EXPRESS WRITTEN CONSENT OF HELICAL. POSSESSION OF THIS DOCUMENT DOES NOT CONSTITUTE A GRANT TO MANUFACTURE ANY ITEMS.

**ADDITIONAL BORE SIZES AVAILABLE UPON REQUEST**

APPROVALS	DATE	HELICAL PRODUCTS CO. INC P.O. BOX 1069 SANTA MARIA, CA. 93456 U.S.A PHONE (805) 928-3851 FSCI3201
DRAWN		
CHECKED		
PRODN		
ISSUED	8/3/2011	
TITLE <b>HELICAL FLEXIBLE SHAFT COUPLING</b> <b>TABULATED BORE SIZES</b>		DWG NO <b>MC7150</b>

Printed 8/3/2011 10:18:02 AM by Larryvg

ADDITION DATE	PART NUMBER	BORE TOLERANCES		TORQUES (lbin)			TORSIONAL FLEXIBILITY deg/lbin	MASS MOMENT OF INERTIA	COMMENTS	A1	A2	
		+.002in -.000in	or	+.05mm -.00mm	Non-reversing	Shock or Reversing						Momentary
		A1 Dia		A2 Dia								
20 JAN 14	MC7150-10-10	.313in		.313in	130	65	260					

**\* NOTE: Bores greater than .630in Dia: bore depth is .670in**

NOTICE: THE INFORMATION AND DATA CONTAINED HEREIN IS CONSIDERED PROPRIETARY TO HELICAL PRODUCTS COMPANY, INC., AND SHALL REMAIN THE EXCLUSIVE PROPERTY OF HELICAL. THE HOLDER WILL ASSUME CUSTODY AND CONTROL THAT THIS DOCUMENT WILL NOT BE COPIED, REPRODUCED OR DISCLOSED WITHOUT THE EXPRESS WRITTEN CONSENT OF HELICAL. POSSESSION OF THIS DOCUMENT DOES NOT CONSTITUTE A GRANT TO MANUFACTURE ANY ITEMS.

**ADDITIONAL BORE SIZES AVAILABLE UPON REQUEST**

APPROVALS

DATE

DRAWN

CHECKED

PRODN

ISSUED

8/3/2011  
10:18:11 AM

HELICAL PRODUCTS CO. INC

P.O. BOX 1069 SANTA MARIA, CA. 93456 U.S.A  
PHONE (805) 928-3851 FSCI3201

TITLE **HELICAL FLEXIBLE SHAFT COUPLING**

**TABULATED BORE SIZES**

DWG NO

MC7150

Printed: 8/3/2011 10:18:02 AM by larry.g