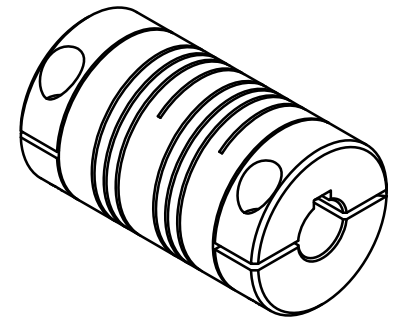
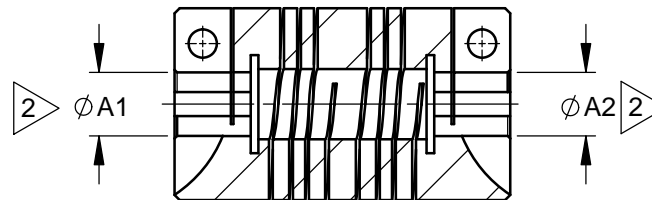
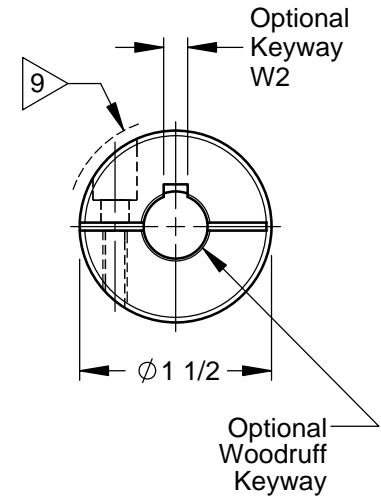
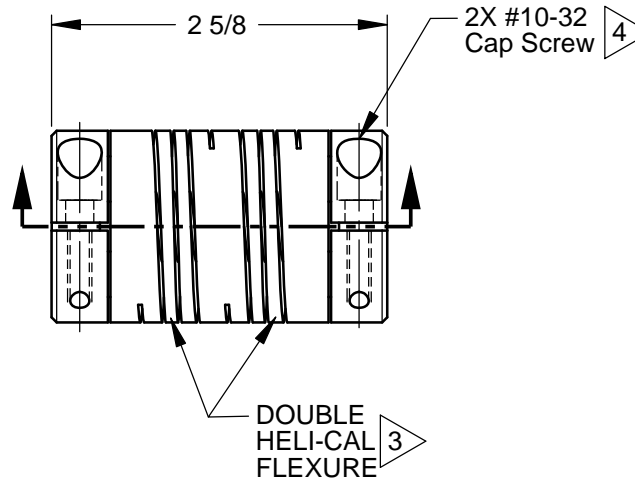
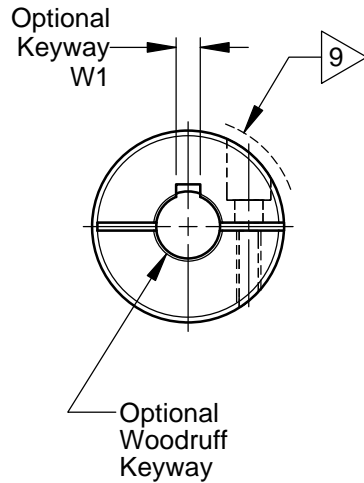


NOTES:

- 1 Refer to Secondary Sheet for Tabulated Data.
- 2 $\phi A1$ and $\phi A2$ shafts may near butt except:
When any Bore $> \phi .630$ the component shaft MAX penetration is .655 or when both Bores $> \phi .630$ the component shaft MAX penetration is .655 & the MIN shaft end to shaft end is 1.315.
- 3 Hubs and HELI-CAL FLEXURE are made from a single piece of material.
- 4 Integral Clamp attachment, hex, socket, cap screw furnished: both hubs.
- 5 Backlash: None. No lubrication required.
- 6 Permitted axial motion from free length: $\pm .010$
- 7 Working torque ratings are based upon continuous duty with noted misalignments applied separately and may be increased with improved alignment: Refer to Tabulated Data
- 8 Permissible shaft misalignment: Angular, up to 5°
Offset, up to .030 (FIM, .060)
- 9 Part will have a $\phi 1.706$ clearance on both ends when any Bore $> \phi .692$ thru $\phi .908$.
- 10 Weight based on MC7C150-16K3-16K3



NOTICE: THE INFORMATION AND DATA CONTAINED HEREIN IS CONSIDERED PROPRIETARY TO HELICAL PRODUCTS COMPANY, AND SHALL REMAIN THE EXCLUSIVE PROPERTY OF HELICAL. THE HOLDER WILL ASSUME CUSTODY AND CONTROL THAT THIS DOCUMENT WILL NOT BE COPIED, REPRODUCED OR DISCLOSED WITHOUT THE EXPRESS WRITTEN CONSENT OF HELICAL. POSSESSION OF THIS DOCUMENT DOES NOT CONSTITUTE A GRANT TO MANUFACTURE ANY ITEM. Copyright HELICAL PRODUCTS CO.

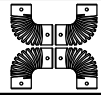
| | | | | |
|----------|-----|--------------------------------------|------|----|
| 11-25-14 | --- | ECR#14102000 Added calc. weight | DCE | EK |
| | --- | Tabulated data format update | CL | |
| 11-04-13 | --- | Redrawn in Solidworks | JAJ | EK |
| 10-13-98 | --- | Clerical format update / No revision | BJM | MC |
| DATE | LTR | REVISION | APVR | |

Unless otherwise specified all tolerances and dimensions are in inches.

| | |
|-----------------|-------------------|
| Inch | Metric |
| X/XX \pm 1/64 | X \pm 0.5mm |
| .XX \pm .01 | X.X \pm 0.25mm |
| .XXX \pm .005 | X.XX \pm 0.15mm |

Angles $\pm 2^\circ$

Break sharp corners .010 MAX
All surface finish 63 roughness
Do Not Scale Drawing



HELICAL

PRODUCTS COMPANY

901 West McCoy Lane
SANTA MARIA, CA. 93456 U.S.A.
PHONE (805) 928-3851 FSC13201

| | | |
|------------------------------|------------------|--|
| DRAWN BY ER | DATE 11-12-80 | TITLE HELICAL FLEXIBLE SHAFT COUPLING |
| CHECKED BY MC | DATE 11-12-80 | MATL 17-4PH CRES HT |
| APPRVD BY APA | DATE 11-12-80 | FINISH Natural |
| WEIGHT (calculated) 447 g | | DRAWING NUMBER MC7C150 |
| SHEET 1 of 8 | | REV |

TABULATED DATA

Copyright HELICAL PRODUCTS CO

MATERIAL: 17-4PH CRES HT

FINISH: Natural

Drawing Number

MC7C150

REV

DO NOT SCALE DRAWING

SHT 2 of 8

| ITEM DESCRIPTION (Part Number) | BORE SIZES | | TORQUES (lbin) | | | KEYWAY Width | |
|-----------------------------------|------------|-----------|----------------------|-------------------|-----------------------|-----------------|--------|
| | TOLERANCE | | Momentary Dynamic | Non- Reversing | Shock or Reversing | TOLERANCE | |
| | ϕ A1 | ϕ A2 | | | | W1 | W2 |
| MC7C150-BLANK (STD) | .295in | .234in | --- | --- | --- | --- | --- |
| MC7C150-10-10 | .313in | .313in | 260 | 130 | 65 | --- | --- |
| MC7C150-8mm-8 | 8.00mm | .250in | 260 | 130 | 65 | --- | --- |
| MC7C150-12-6 | .375in | .188in | 248 | 124 | 62 | --- | --- |
| MC7C150-12-6mm | .375in | 6.00mm | 248 | 124 | 62 | --- | --- |
| MC7C150-12-8 | .375in | .250in | 248 | 124 | 62 | --- | --- |
| MC7C150-12-10 | .375in | .313in | 248 | 124 | 62 | --- | --- |
| MC7C150-12K1-10K1 | .375in | .313in | 248 | 124 | 62 | .094 | .094 |
| MC7C150-12-8mm | .375in | 8.00mm | 248 | 124 | 62 | --- | --- |
| MC7C150-12-12 | .375in | .375in | 248 | 124 | 62 | --- | --- |
| MC7C150-12K1-12K1 | .375in | .375in | 248 | 124 | 62 | .094 | .094 |
| MC7C150-12K3-12K3 | .375in | .375in | 248 | 124 | 62 | .125 | .125 |
| MC7C150-12W02-12W02 | .375in | .375in | 248 | 124 | 62 | .064 | .064 |
| MC7C150-12W03-12W03 | .375in | .375in | 248 | 124 | 62 | .095 | .095 |
| MC7C150-10mm-12 | 10.00mm | .375in | 240 | 120 | 60 | --- | --- |
| MC7C150-10mm-10mm | 10.00mm | 10.00mm | 240 | 120 | 60 | --- | --- |
| MC7C150-13-12 | .406in | .375in | 234 | 117 | 58 | --- | --- |
| MC7C150-11mm-12 | 11.00mm | .375in | 208 | 104 | 52 | --- | --- |
| MC7C150-11mmQ4-11mmQ4 | 11.00mm | 11.00mm | 208 | 104 | 52 | 4.00mm | 4.00mm |
| MC7C150-11mmQ4-12K1 | 11.00mm | .375in | 208 | 104 | 52 | 4.00mm | .094 |
| MC7C150-14-14 | .438in | .438in | 224 | 112 | 56 | --- | --- |
| MC7C150-12mm-10mm | 12.00mm | 10.00mm | 208 | 104 | 52 | --- | --- |
| MC7C150-12mm-12mm | 12.00mm | 12.00mm | 208 | 104 | 52 | --- | --- |
| MC7C150-12mmQ4-12mmQ4 | 12.00mm | 12.00mm | 208 | 104 | 52 | 4.00mm | 4.00mm |

TABULATED DATA

Copyright HELICAL PRODUCTS CO

MATERIAL: 17-4PH CRES HT

FINISH: Natural

Drawing Number

MC7C150

REV

DO NOT SCALE DRAWING

SHT 3 of 8

| ITEM DESCRIPTION (Part Number) | BORE SIZES | | TORQUES (lbin) | | | KEYWAY Width | |
|-----------------------------------|------------|-----------|----------------------|-------------------|-----------------------|-----------------|--------|
| | TOLERANCE | | Momentary Dynamic | Non- Reversing | Shock or Reversing | TOLERANCE | |
| | ϕ A1 | ϕ A2 | | | | W1 | W2 |
| MC7C150-16-8 | .500in | .250in | 200 | 100 | 50 | --- | --- |
| MC7C150-16-7mm | .500in | 7.00mm | 200 | 100 | 50 | --- | --- |
| MC7C150-16-10 | .500in | .313in | 200 | 100 | 50 | --- | --- |
| MC7C150-16K3-10K1 | .500in | .313in | 200 | 100 | 50 | .125 | .094 |
| MC7C150-16K3-10K3 | .500in | .313in | 200 | 100 | 50 | .125 | .125 |
| MC7C150-16-8mm | .500in | 8.00mm | 200 | 100 | 50 | --- | --- |
| MC7C150-16-11 | .500in | .344in | 200 | 100 | 50 | --- | --- |
| MC7C150-16-12 | .500in | .375in | 200 | 100 | 50 | --- | --- |
| MC7C150-16-12K3 | .500in | .375in | 200 | 100 | 50 | --- | .125 |
| MC7C150-16K3-12 | .500in | .375in | 200 | 100 | 50 | .125 | --- |
| MC7C150-16K3-12K1 | .500in | .375in | 200 | 100 | 50 | .125 | .094 |
| MC7C150-16W04-12W04 | .500in | .375in | 200 | 100 | 50 | .126 | .126 |
| MC7C150-16-10mm | .500in | 10.00mm | 200 | 100 | 50 | --- | --- |
| MC7C150-16-10mmQ3 | .500in | 10.00mm | 200 | 100 | 50 | --- | 3.00mm |
| MC7C150-16K3-10mmQ3 | .500in | 10.00mm | 200 | 100 | 50 | .125 | 3.00mm |
| MC7C150-16-13 | .500in | .406in | 200 | 100 | 50 | --- | --- |
| MC7C150-16-11mm | .500in | 11.00mm | 200 | 100 | 50 | --- | --- |
| MC7C150-16K3-11mmQ4 | .500in | 11.00mm | 200 | 100 | 50 | .125 | 4.00mm |
| MC7C150-16-14 | .500in | .438in | 200 | 100 | 50 | --- | --- |
| MC7C150-16K3-14K3 | .500in | .438in | 200 | 100 | 50 | .125 | .125 |
| MC7C150-16-11.43mm | .500in | 11.43mm | 200 | 100 | 50 | --- | --- |
| MC7C150-16-11.8mm | .500in | 11.80mm | 200 | 100 | 50 | --- | --- |
| MC7C150-16-12mm | .500in | 12.00mm | 200 | 100 | 50 | --- | --- |
| MC7C150-16K3-12mmQ4 | .500in | 12.00mm | 200 | 100 | 50 | .125 | 4.00mm |
| MC7C150-16-16 | .500in | .500in | 200 | 100 | 50 | --- | --- |
| MC7C150-16K3-16 | .500in | .500in | 200 | 100 | 50 | .125 | --- |
| MC7C150-16K3-16K3 | .500in | .500in | 200 | 100 | 50 | .125 | .125 |
| MC7C150-16K4-16K4 | .500in | .500in | 200 | 100 | 50 | .188 | .188 |
| MC7C150-16W04-16 | .500in | .500in | 200 | 100 | 50 | .126 | --- |
| MC7C150-16-15mm | .500in | 15.00mm | 200 | 100 | 50 | --- | --- |
| MC7C150-13mm-13mm | 13.00mm | 13.00mm | 200 | 100 | 50 | --- | --- |

TABULATED DATA

Copyright HELICAL PRODUCTS CO

MATERIAL: 17-4PH CRES HT

FINISH: Natural

Drawing Number

MC7C150

REV

DO NOT SCALE DRAWING

SHT 4 of 8

| ITEM DESCRIPTION (Part Number) | BORE SIZES | | TORQUES (lbin) | | | KEYWAY Width | |
|-----------------------------------|---|---------|----------------------|-------------------|-----------------------|---|--------|
| | TOLERANCE +0.002in or +0.05mm -0.000in or 0 | | Momentary Dynamic | Non- Reversing | Shock or Reversing | TOLERANCE +0.002in or +0.05mm -0.000in or 0 | |
| | Ø A1 | Ø A2 | | | | W1 | W2 |
| MC7C150-14mm-8 | 14.00mm | .250in | 180 | 90 | 45 | --- | --- |
| MC7C150-14mmQ5-10K1 | 14.00mm | .313in | 180 | 90 | 45 | 5.00mm | .094 |
| MC7C150-14mm-8mm | 14.00mm | 8.00mm | 180 | 90 | 45 | --- | --- |
| MC7C150-14mm-12 | 14.00mm | .375in | 180 | 90 | 45 | --- | --- |
| MC7C150-14mmQ5-12 | 14.00mm | .375in | 180 | 90 | 45 | 5.00mm | --- |
| MC7C150-14mmQ5-12K1 | 14.00mm | .375in | 180 | 90 | 45 | 5.00mm | .094 |
| MC7C150-14mm-10mm | 14.00mm | 10.00mm | 180 | 90 | 45 | --- | --- |
| MC7C150-14mmQ5-10mmQ3 | 14.00mm | 10.00mm | 180 | 90 | 45 | 5.00mm | 3.00mm |
| MC7C150-14mm-13 | 14.00mm | .406in | 180 | 90 | 45 | --- | --- |
| MC7C150-14mm-11mm | 14.00mm | 11.00mm | 180 | 90 | 45 | --- | --- |
| MC7C150-14mm-14 | 14.00mm | .438in | 180 | 90 | 45 | --- | --- |
| MC7C150-14mm-16 | 14.00mm | .500in | 180 | 90 | 45 | --- | --- |
| MC7C150-14mmQ5-16K3 | 14.00mm | .500in | 180 | 90 | 45 | 5.00mm | .125 |
| MC7C150-14mm-14mm | 14.00mm | 14.00mm | 180 | 90 | 45 | --- | --- |
| MC7C150-14mmQ5-14mmQ5 | 14.00mm | 14.00mm | 180 | 90 | 45 | 5.00mm | 5.00mm |
| MC7C150-18-12 | .563in | .375in | 172 | 86 | 43 | --- | --- |
| MC7C150-18K3-12 | .563in | .375in | 172 | 86 | 43 | .125 | --- |
| MC7C150-18K3-12K1 | .563in | .375in | 172 | 86 | 43 | .125 | .094 |
| MC7C150-18-16 | .563in | .500in | 172 | 86 | 43 | --- | --- |
| MC7C150-18K3-16 | .563in | .500in | 172 | 86 | 43 | .125 | --- |
| MC7C150-18K3-16K3 | .563in | .500in | 172 | 86 | 43 | .125 | .125 |
| MC7C150-18K4-14mmQ5 | .563in | 14.00mm | 172 | 86 | 43 | .188 | 5.00mm |
| MC7C150-18-18 | .563in | .563in | 172 | 86 | 43 | --- | --- |
| MC7C150-18K3-18K3 | .563in | .563in | 172 | 86 | 43 | .125 | .125 |
| MC7C150-15mm-12 | 15.00mm | .375in | 160 | 80 | 40 | --- | --- |
| MC7C150-15mm-16 | 15.00mm | .500in | 160 | 80 | 40 | --- | --- |
| MC7C150-15mm-14mm | 15.00mm | 14.00mm | 160 | 80 | 40 | --- | --- |
| MC7C150-15mm-15mm | 15.00mm | 15.00mm | 160 | 80 | 40 | --- | --- |
| MC7C150-15mmQ5-15mmQ5 | 15.00mm | 15.00mm | 160 | 80 | 40 | 5.00mm | 5.00mm |
| MC7C150-15.5mm-16 | 15.50mm | .500in | 155 | 77 | 38 | --- | --- |

TABULATED DATA

Copyright HELICAL PRODUCTS CO

MATERIAL: 17-4PH CRES HT

FINISH: Natural

Drawing Number

MC7C150

REV

DO NOT SCALE DRAWING

SHT 5 of 8

| ITEM DESCRIPTION (Part Number) | BORE SIZES | | TORQUES (lbin) | | | KEYWAY Width | |
|-----------------------------------|------------|-----------|----------------------|-------------------|-----------------------|---|---|
| | TOLERANCE | | Momentary Dynamic | Non- Reversing | Shock or Reversing | TOLERANCE | |
| | ϕ A1 | ϕ A2 | | | | $\frac{+.002in}{-.000in}$ or $\frac{+.05mm}{0}$ | $\frac{+.002in}{-.000in}$ or $\frac{+.05mm}{0}$ |
| MC7C150-20Q6-6 | .625in | .188in | 152 | 76 | 38 | 6.00mm | --- |
| MC7C150-20-6mm | .625in | 6.00mm | 152 | 76 | 38 | --- | --- |
| MC7C150-20-8 | .625in | .250in | 152 | 76 | 38 | --- | --- |
| MC7C150-20K4-8 | .625in | .250in | 152 | 76 | 38 | .188 | --- |
| MC7C150-20-10 | .625in | .313in | 152 | 76 | 38 | --- | --- |
| MC7C150-20-8mm | .625in | 8.00mm | 152 | 76 | 38 | --- | --- |
| MC7C150-20-12 | .625in | .375in | 152 | 76 | 38 | --- | --- |
| MC7C150-20K3-12 | .625in | .375in | 152 | 76 | 38 | .125 | --- |
| MC7C150-20K4-12 | .625in | .375in | 152 | 76 | 38 | .188 | --- |
| MC7C150-20K4-12K1 | .625in | .375in | 152 | 76 | 38 | .188 | .094 |
| MC7C150-20K4-12K3 | .625in | .375in | 152 | 76 | 38 | .188 | .125 |
| MC7C150-20K4-12K4 | .625in | .375in | 152 | 76 | 38 | .188 | .188 |
| MC7C150-20-10mm | .625in | 10.00mm | 152 | 76 | 38 | --- | --- |
| MC7C150-20K4-10mmQ3 | .625in | 10.00mm | 152 | 76 | 38 | .188 | 3.00mm |
| MC7C150-20-14 | .625in | .438in | 152 | 76 | 38 | --- | --- |
| MC7C150-20K4-14K1 | .625in | .438in | 152 | 76 | 38 | .188 | .094 |
| MC7C150-20-12mm | .625in | 12.00mm | 152 | 76 | 38 | --- | --- |
| MC7C150-20K4-12mmK5 | .625in | 12.00mm | 152 | 76 | 38 | .188 | .250 |
| MC7C150-20K4-12mmQ3 | .625in | 12.00mm | 152 | 76 | 38 | .188 | 3.00mm |
| MC7C150-20K4-12mmQ4 | .625in | 12.00mm | 152 | 76 | 38 | .188 | 4.00mm |
| MC7C150-20-16 | .625in | .500in | 152 | 76 | 38 | --- | --- |
| MC7C150-20-16K3 | .625in | .500in | 152 | 76 | 38 | --- | .125 |
| MC7C150-20K3-16 | .625in | .500in | 152 | 76 | 38 | .125 | --- |
| MC7C150-20K3-16K3 | .625in | .500in | 152 | 76 | 38 | .125 | .125 |
| MC7C150-20K4-16 | .625in | .500in | 152 | 76 | 38 | .188 | --- |
| MC7C150-20K4-16K3 | .625in | .500in | 152 | 76 | 38 | .188 | .125 |
| MC7C150-20K4-16K4 | .625in | .500in | 152 | 76 | 38 | .188 | .188 |
| MC7C150-20W04-16K3 | .625in | .500in | 152 | 76 | 38 | .126 | .125 |
| MC7C150-20W04-16W04 | .625in | .500in | 152 | 76 | 38 | .126 | .126 |
| MC7C150-20-14mm | .625in | 14.00mm | 152 | 76 | 38 | --- | --- |
| MC7C150-20-14mmQ5 | .625in | 14.00mm | 152 | 76 | 38 | --- | 5.00mm |
| MC7C150-20K4-14mmQ5 | .625in | 14.00mm | 152 | 76 | 38 | .188 | 5.00mm |
| MC7C150-20-18 | .625in | .563in | 152 | 76 | 38 | --- | --- |
| MC7C150-20K4-18K3 | .625in | .563in | 152 | 76 | 38 | .188 | .125 |
| MC7C150-20K4-18K4 | .625in | .563in | 152 | 76 | 38 | .188 | .188 |
| MC7C150-20-15mm | .625in | 15.00mm | 152 | 76 | 38 | --- | --- |
| MC7C150-20K4-15mmK3 | .625in | 15.00mm | 152 | 76 | 38 | .188 | .125 |
| MC7C150-20K4-15mmK4 | .625in | 15.00mm | 152 | 76 | 38 | .188 | .188 |

TABULATED DATA

Copyright HELICAL PRODUCTS CO

MATERIAL: 17-4PH CRES HT

FINISH: Natural

Drawing Number

MC7C150

REV

DO NOT SCALE DRAWING

SHT 6 of 8

| ITEM DESCRIPTION (Part Number) | BORE SIZES | | TORQUES (lbin) | | | KEYWAY Width | |
|-----------------------------------|---|---------|----------------------|-------------------|-----------------------|---|--------|
| | TOLERANCE +0.002in or +0.05mm -0.000in or 0 | | Momentary Dynamic | Non- Reversing | Shock or Reversing | TOLERANCE +0.002in or +0.05mm -0.000in or 0 | |
| | Ø A1 | Ø A2 | | | | W1 | W2 |
| MC7C150-20K4-15mmQ5 | .625in | 15.00mm | 152 | 76 | 38 | .188 | 5.00mm |
| MC7C150-20W04-15mmQ5 | .625in | 15.00mm | 152 | 76 | 38 | .126 | 5.00mm |
| MC7C150-20-20 | .625in | .625in | 152 | 76 | 38 | --- | --- |
| MC7C150-20-20K4 | .625in | .625in | 152 | 76 | 38 | --- | .188 |
| MC7C150-20K3-20 | .625in | .625in | 152 | 76 | 38 | .125 | --- |
| MC7C150-20K3-20K3 | .625in | .625in | 152 | 76 | 38 | .125 | .125 |
| MC7C150-20K3-20K4 | .625in | .625in | 152 | 76 | 38 | .125 | .188 |
| MC7C150-20K4-20 | .625in | .625in | 152 | 76 | 38 | .188 | --- |
| MC7C150-20K4-20K3 | .625in | .625in | 152 | 76 | 38 | .188 | .125 |
| MC7C150-20K4-20K4 | .625in | .625in | 152 | 76 | 38 | .188 | .188 |
| MC7C150-20K4-20W04 | .625in | .625in | 152 | 76 | 38 | .188 | .126 |
| MC7C150-20K5-20K5 | .625in | .625in | 152 | 76 | 38 | .250 | .250 |
| MC7C150-16mm-9.5mm | 16.00mm | 9.50mm | 152 | 76 | 38 | --- | --- |
| MC7C150-16mmQ5-9.5mm | 16.00mm | 9.50mm | 152 | 76 | 38 | 5.00mm | --- |
| MC7C150-16mm-12 | 16.00mm | .375in | 152 | 76 | 38 | --- | --- |
| MC7C150-16mm-12mm | 16.00mm | 12.00mm | 152 | 76 | 38 | --- | --- |
| MC7C150-16mm-16 | 16.00mm | .500in | 152 | 76 | 38 | --- | --- |
| MC7C150-16mmQ5-16 | 16.00mm | .500in | 152 | 76 | 38 | 5.00mm | --- |
| MC7C150-16mmQ5-16K3 | 16.00mm | .500in | 152 | 76 | 38 | 5.00mm | .125 |
| MC7C150-16mm-18 | 16.00mm | .563in | 152 | 76 | 38 | --- | --- |
| MC7C150-16mm-20 | 16.00mm | .625in | 152 | 76 | 38 | --- | --- |
| MC7C150-16mmK4-20K4 | 16.00mm | .625in | 152 | 76 | 38 | .188 | .188 |
| MC7C150-16mmQ4-20K4 | 16.00mm | .625in | 152 | 76 | 38 | 4.00mm | .188 |
| MC7C150-16mmQ5-20 | 16.00mm | .625in | 152 | 76 | 38 | 5.00mm | --- |
| MC7C150-16mmQ5-20K3 | 16.00mm | .625in | 152 | 76 | 38 | 5.00mm | .125 |
| MC7C150-16mmQ5-20K4 | 16.00mm | .625in | 152 | 76 | 38 | 5.00mm | .188 |
| MC7C150-16mmQ5-20W04 | 16.00mm | .625in | 152 | 76 | 38 | 5.00mm | .126 |
| MC7C150-16mm-16mm | 16.00mm | 16.00mm | 152 | 76 | 38 | --- | --- |
| MC7C150-16mmQ5-16mmQ5 | 16.00mm | 16.00mm | 152 | 76 | 38 | 5.00mm | 5.00mm |
| MC7C150-17mm-16 | 17.00mm | .500in | 152 | 76 | 38 | --- | --- |
| MC7C150-17mm-16K3 | 17.00mm | .500in | 152 | 76 | 38 | --- | .125 |
| MC7C150-17mm-20 | 17.00mm | .625in | 152 | 76 | 38 | --- | --- |
| MC7C150-17.07mm-16 | 17.07mm | .500in | 152 | 76 | 38 | --- | --- |
| MC7C150-BLANK (NON STD) | .675in | .221in | --- | --- | --- | --- | --- |

TABULATED DATA

Copyright HELICAL PRODUCTS CO

MATERIAL: 17-4PH CRES HT

FINISH: Natural

Drawing Number

MC7C150

REV

DO NOT SCALE DRAWING

SHT 7 of 8

| ITEM DESCRIPTION (Part Number) | BORE SIZES | | TORQUES (lbin) | | | KEYWAY Width | |
|-----------------------------------|---|---------|----------------------|-------------------|-----------------------|---|--------|
| | TOLERANCE +0.002in or +0.05mm -0.000in or 0 | | Momentary Dynamic | Non- Reversing | Shock or Reversing | TOLERANCE +0.002in or +0.05mm -0.000in or 0 | |
| | Ø A1 | Ø A2 | | | | W1 | W2 |
| MC7C150-22-12 | .688in | .375in | 152 | 76 | 38 | --- | --- |
| MC7C150-18mm-20 | 18.00mm | .625in | 152 | 76 | 38 | --- | --- |
| MC7C150-19mm-12 | 19.00mm | .375in | 152 | 76 | 38 | --- | --- |
| MC7C150-19mm-10mm | 19.00mm | 10.00mm | 152 | 76 | 38 | --- | --- |
| MC7C150-19mmQ6-16K3 | 19.00mm | .500in | 152 | 76 | 38 | 6.00mm | .125 |
| MC7C150-19mmQ6-20K4 | 19.00mm | .625in | 152 | 76 | 38 | 6.00mm | .188 |
| MC7C150-24K4-6mm | .750in | 6.00mm | 152 | 76 | 38 | .188 | --- |
| MC7C150-24-10 | .750in | .313in | 152 | 76 | 38 | --- | --- |
| MC7C150-24K4-10K1 | .750in | .313in | 152 | 76 | 38 | .188 | .094 |
| MC7C150-24-12 | .750in | .375in | 152 | 76 | 38 | --- | --- |
| MC7C150-24K4-12 | .750in | .375in | 152 | 76 | 38 | .188 | --- |
| MC7C150-24K4-12K1 | .750in | .375in | 152 | 76 | 38 | .188 | .094 |
| MC7C150-24K4-12K3 | .750in | .375in | 152 | 76 | 38 | .188 | .125 |
| MC7C150-24-10mm | .750in | 10.00mm | 152 | 76 | 38 | --- | --- |
| MC7C150-24K4-10mm | .750in | 10.00mm | 152 | 76 | 38 | .188 | --- |
| MC7C150-24-16 | .750in | .500in | 152 | 76 | 38 | --- | --- |
| MC7C150-24K4-16 | .750in | .500in | 152 | 76 | 38 | .188 | --- |
| MC7C150-24K4-16K3 | .750in | .500in | 152 | 76 | 38 | .188 | .125 |
| MC7C150-24K5-16K3 | .750in | .500in | 152 | 76 | 38 | .250 | .125 |
| MC7C150-24-14mm | .750in | 14.00mm | 152 | 76 | 38 | --- | --- |
| MC7C150-24K4-14mm | .750in | 14.00mm | 152 | 76 | 38 | .188 | --- |
| MC7C150-24K4-14mmQ5 | .750in | 14.00mm | 152 | 76 | 38 | .188 | 5.00mm |
| MC7C150-24K4-18K3 | .750in | .563in | 152 | 76 | 38 | .188 | .125 |
| MC7C150-24-15mm | .750in | 15.00mm | 152 | 76 | 38 | --- | --- |
| MC7C150-24-19 | .750in | .594in | 152 | 76 | 38 | --- | --- |
| MC7C150-24-20 | .750in | .625in | 152 | 76 | 38 | --- | --- |
| MC7C150-24K4-20K4 | .750in | .625in | 152 | 76 | 38 | .188 | .188 |
| MC7C150-24-16mm | .750in | 16.00mm | 152 | 76 | 38 | --- | --- |
| MC7C150-24-24 | .750in | .750in | 152 | 76 | 38 | --- | --- |
| MC7C150-24K4-24K4 | .750in | .750in | 152 | 76 | 38 | .188 | .188 |

TABULATED DATA

Copyright HELICAL PRODUCTS CO

MATERIAL: 17-4PH CRES HT

FINISH: Natural

Drawing Number

MC7C150

REV

DO NOT SCALE DRAWING

SHT 8 of 8

| ITEM DESCRIPTION (Part Number) | BORE SIZES | | TORQUES (lbin) | | | KEYWAY Width | |
|-----------------------------------|---|---------|----------------------|-------------------|-----------------------|---|------|
| | TOLERANCE +0.002in or +0.05mm -0.000in or 0 | | Momentary Dynamic | Non- Reversing | Shock or Reversing | TOLERANCE +0.002in or +0.05mm -0.000in or 0 | |
| Ø A1 | Ø A2 | W1 | | | | W2 | |
| MC7C150-20mm-12 | 20.00mm | .375in | 152 | 76 | 38 | --- | --- |
| MC7C150-20mmQ6-12 | 20.00mm | .375in | 152 | 76 | 38 | 6.00mm | --- |
| MC7C150-20mm-11mm | 20.00mm | 11.00mm | 152 | 76 | 38 | --- | --- |
| MC7C150-20mmQ6-12mm | 20.00mm | 12.00mm | 152 | 76 | 38 | 6.00mm | --- |
| MC7C150-20mm-16 | 20.00mm | .500in | 152 | 76 | 38 | --- | --- |
| MC7C150-20mm-20 | 20.00mm | .625in | 152 | 76 | 38 | --- | --- |
| MC7C150-20mm-24 | 20.00mm | .750in | 152 | 76 | 38 | --- | --- |
| MC7C150-28-8 | .875in | .250in | 152 | 76 | 38 | --- | --- |
| MC7C150-28-10 | .875in | .313in | 152 | 76 | 38 | --- | --- |
| MC7C150-28-8mm | .875in | 8.00mm | 152 | 76 | 38 | --- | --- |
| MC7C150-28-12 | .875in | .375in | 152 | 76 | 38 | --- | --- |
| MC7C150-28-16 | .875in | .500in | 152 | 76 | 38 | --- | --- |
| MC7C150-28-20 | .875in | .625in | 152 | 76 | 38 | --- | --- |
| MC7C150-28-20K4 | .875in | .625in | 152 | 76 | 38 | --- | .188 |
| MC7C150-28K4-20K4 | .875in | .625in | 152 | 76 | 38 | .188 | .188 |
| MC7C150-28-28 | .875in | .875in | 152 | 76 | 38 | --- | --- |