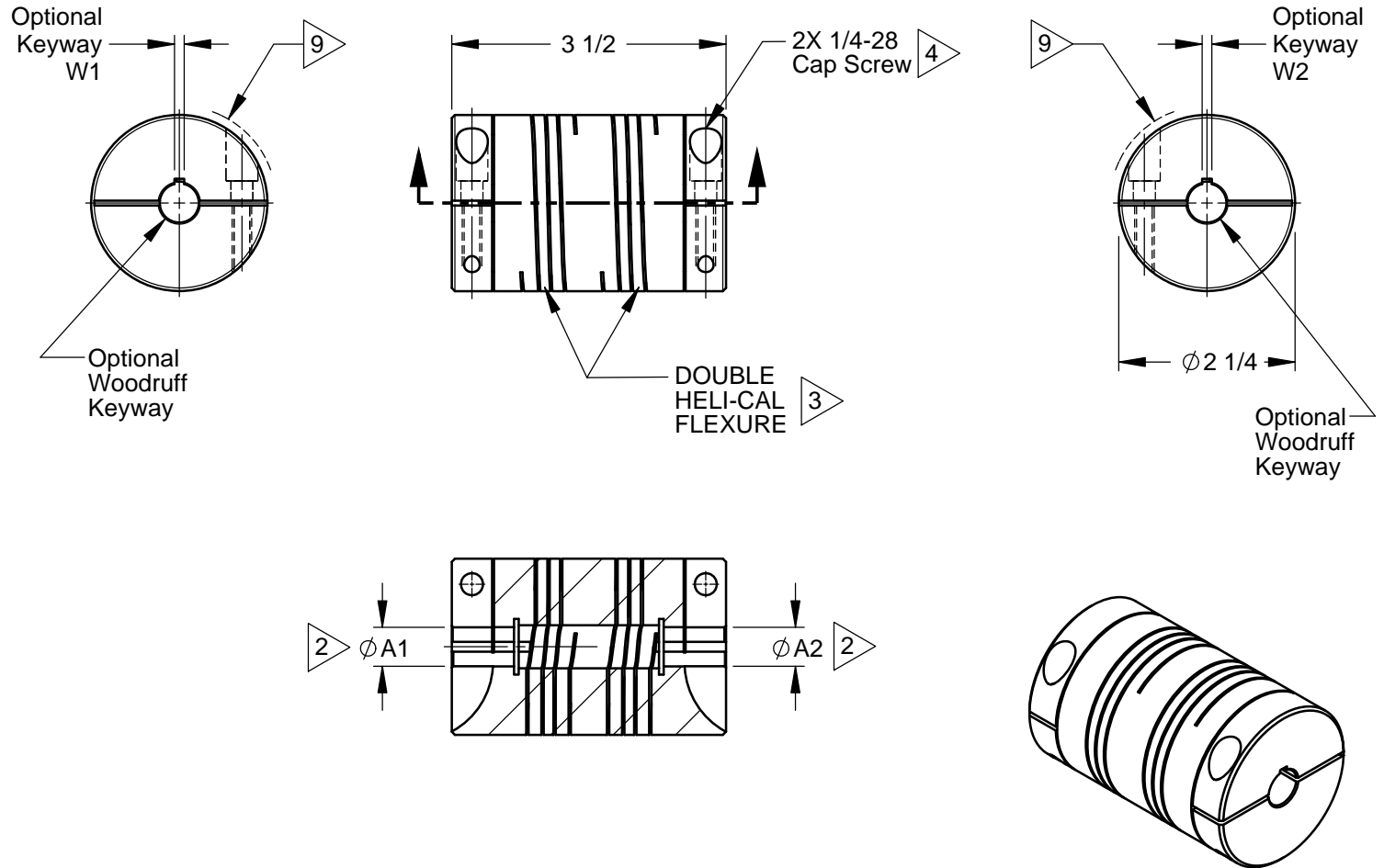


NOTES:

- 1 Refer to Secondary Sheet for Tabulated Data.
- 2 $\phi A1$ and $\phi A2$ shafts may near butt except:

When any Bore $> \phi 1.000$ the component shaft MAX penetration is .855 or when both Bores $> \phi 1.000$ the component shaft MAX penetration is .855 & the MIN shaft end to shaft end is 1.790.
- 3 Hubs and HELI-CAL FLEXURE are made from a single piece of material.
- 4 Integral Clamp attachment, hex, socket, cap screw furnished: both hubs.
- 5 Backlash: None. No lubrication required.
- 6 Permitted axial motion from free length: $\pm .010$
- 7 Working torque ratings are based upon continuous duty with noted misalignments applied separately and may be increased with improved alignment: Refer to Tabulated Data
- 8 Permissible shaft misalignment: Angular, up to 5°
Offset, up to .030 (FIM, .060)
- 9 Part will have a $\phi 2.483$ clearance on both ends when any Bore $> \phi 1.278$ thru $\phi 1.525$.
- 10 Weight based on MC7C225-16K3-16K3




NOTICE: THE INFORMATION AND DATA CONTAINED HEREIN IS CONSIDERED PROPRIETARY TO HELICAL PRODUCTS COMPANY, INC., AND SHALL REMAIN THE EXCLUSIVE PROPERTY OF HELICAL. THE HOLDER WILL ASSUME CUSTODY AND CONTROL THAT THIS DOCUMENT WILL NOT BE COPIED, REPRODUCED OR DISCLOSED WITHOUT THE EXPRESS WRITTEN CONSENT OF HELICAL. POSSESSION OF THIS DOCUMENT DOES NOT CONSTITUTE A GRANT TO MANUFACTURE ANY ITEM.
Copyright
HELICAL PRODUCTS CO

11-26-14	---	ECR#14102000 Added calc. weight	DCE	EK
	---	Redrawn in Solidworks	CL	
11-12-09	---	Update drafting Standards & Practices	HG	JAJ
DATE	LTR	REVISION		APVR

Unless otherwise specified all tolerances and dimensions are in inches.

Inch	Metric
X/XX \pm 1/64	X \pm 0.5mm
.XX \pm .01	X.X \pm 0.25mm
.XXX \pm .005	X.XX \pm 0.15mm
Angles $\pm 2^\circ$	

Break sharp corners .010 MAX
All surface finish 63 roughness
Do Not Scale Drawing



HELICAL
PRODUCTS COMPANY

901 West McCoy Lane
SANTA MARIA, CA. 93456 U.S.A.
PHONE (805) 928-3851 FSC13201

DRAWN BY ER	DATE 08-13-81	TITLE HELICAL FLEXIBLE SHAFT COUPLING
CHECKED BY MC	DATE 08-13-81	MATL 17-4PH CRES HT
APPRVD BY APA	DATE 08-13-81	FINISH Natural
WEIGHT (calculated) 1518 g		DRAWING NUMBER MC7C225
SHEET 1 of 12		REV

TABULATED DATA

Copyright HELICAL PRODUCTS CO

MATERIAL: 17-4PH CRES HT

FINISH: Natural

Drawing Number

MC7C225

REV

DO NOT SCALE DRAWING

SHT 2 of 12

ITEM DESCRIPTION (Part Number)	BORE SIZES		TORQUES (lbin)			KEYWAY Width	
	TOLERANCE +0.02in -0.00in or +0.05mm 0		Momentary Dynamic	Non- Reversing	Shock or Reversing	TOLERANCE +0.02in -0.00in or +0.05mm 0	
	Ø A1	Ø A2				W1	W2
MC7C225-BLANK (STD)	.359in	.297in	---	---	---	---	---
MC7C225-12mm-10mm	12.00mm	10.00mm	724	362	181	---	---
MC7C225-12mm-12mm	12.00mm	12.00mm	724	362	181	---	---
MC7C225-16-12	.500in	.375in	720	360	180	---	---
MC7C225-16-16	.500in	.500in	720	360	180	---	---
MC7C225-16K3-16K3	.500in	.500in	720	360	180	.125	.125
MC7C225-14mm-16	14.00mm	.500in	708	354	177	---	---
MC7C225-18-18	.563in	.563in	684	342	171	---	---
MC7C225-20-8	.625in	.250in	684	342	171	---	---
MC7C225-20-10	.625in	.313in	684	342	171	---	---
MC7C225-20-12	.625in	.375in	684	342	171	---	---
MC7C225-20-10mm	.625in	10.00mm	684	342	171	---	---
MC7C225-20K4-11.94mm	.625in	11.94mm	684	342	171	.188	---
MC7C225-20-16	.625in	.500in	684	342	171	---	---
MC7C225-20K4-16K3	.625in	.500in	684	342	171	.188	.125
MC7C225-20-14mm	.625in	14.00mm	684	342	171	---	---
MC7C225-20K4-14mmQ5	.625in	14.00mm	684	342	171	.188	5.00mm
MC7C225-20K4-18K3	.625in	.563in	684	342	171	.188	.125
MC7C225-20-15mm	.625in	15.00mm	684	342	171	---	---
MC7C225-20K4-15mmQ5	.625in	15.00mm	684	342	171	.188	5.00mm
MC7C225-20-20	.625in	.625in	684	342	171	---	---
MC7C225-20K3-20K3	.625in	.625in	684	342	171	.125	.125
MC7C225-20K4-20K3	.625in	.625in	684	342	171	.188	.125
MC7C225-20K4-20K4	.625in	.625in	684	342	171	.188	.188
MC7C225-20W06-20W06	.625in	.625in	684	342	171	.189	.189
MC7C225-15.95mm-20K3	15.95mm	.625in	684	342	171	---	.125
MC7C225-16mm-20	16.00mm	.625in	684	342	171	---	---
MC7C225-16mm-20K4	16.00mm	.625in	684	342	171	---	.188
MC7C225-16mmQ5-20K4	16.00mm	.625in	684	342	171	5.00mm	.188
MC7C225-17mm-16	17.00mm	.500in	---	---	---	---	---

TABULATED DATA

Copyright HELICAL PRODUCTS CO

MATERIAL: 17-4PH CRES HT

FINISH: Natural

Drawing Number

MC7C225

REV

DO NOT SCALE DRAWING

SHT 3 of 12

ITEM DESCRIPTION (Part Number)	BORE SIZES		TORQUES (lbin)			KEYWAY Width	
	TOLERANCE +0.002in or +0.05mm -0.000in or 0		Momentary Dynamic	Non- Reversing	Shock or Reversing	TOLERANCE +0.002in or +0.05mm -0.000in or 0	
Ø A1	Ø A2	W1				W2	
MC7C225-18mmQ5-24K4	18.00mm	.750in	616	308	154	5.00mm	.188
MC7C225-19mmQ6-16K3	19.00mm	.500in	592	296	148	6.00mm	.125
MC7C225-19mmQ6-14mmQ5	19.00mm	14.00mm	592	296	148	6.00mm	5.00mm
MC7C225-19mm-20	19.00mm	.625in	592	296	148	---	---
MC7C225-19mmQ6-20K4	19.00mm	.625in	592	296	148	6.00mm	.188
MC7C225-19mm-16mm	19.00mm	16.00mm	592	296	148	---	---
MC7C225-19mm-22	19.00mm	.688in	592	296	148	---	---
MC7C225-19mmQ5-22K4	19.00mm	.688in	592	296	148	5.00mm	.188
MC7C225-19mmQ6-19mmQ6	19.00mm	19.00mm	592	296	148	6.00mm	6.00mm

TABULATED DATA

Copyright HELICAL PRODUCTS CO

MATERIAL: 17-4PH CRES HT

FINISH: Natural

Drawing Number

MC7C225

REV

DO NOT SCALE DRAWING

SHT 4 of 12

ITEM DESCRIPTION (Part Number)	BORE SIZES		TORQUES (lbin)			KEYWAY Width	
	TOLERANCE		Momentary Dynamic	Non- Reversing	Shock or Reversing	TOLERANCE	
	ϕ A1	ϕ A2				W1	W2
MC7C225-24-8.77mm	.750in	8.77mm	568	284	142	---	---
MC7C225-24-12	.750in	.375in	568	284	142	---	---
MC7C225-24K4-12K1	.750in	.375in	568	284	142	.188	.094
MC7C225-24K4-10mmQ4	.750in	10.00mm	568	284	142	.188	4.00mm
MC7C225-24K4-12mm	.750in	12.00mm	568	284	142	.188	---
MC7C225-24K4-12mmQ4	.750in	12.00mm	568	284	142	.188	4.00mm
MC7C225-24-16	.750in	.500in	568	284	142	---	---
MC7C225-24K4-16	.750in	.500in	568	284	142	.188	---
MC7C225-24K4-16K3	.750in	.500in	568	284	142	.188	.125
MC7C225-24-14mm	.750in	14.00mm	568	284	142	---	---
MC7C225-24K4-14mmQ5	.750in	14.00mm	568	284	142	.188	5.00mm
MC7C225-24-15mm	.750in	15.00mm	568	284	142	---	---
MC7C225-24K4-15mm	.750in	15.00mm	568	284	142	.188	---
MC7C225-24-20	.750in	.625in	568	284	142	---	---
MC7C225-24K4-20K2	.750in	.625in	568	284	142	.188	.156
MC7C225-24K4-20K4	.750in	.625in	568	284	142	.188	.188
MC7C225-24-16mm	.750in	16.00mm	568	284	142	---	---
MC7C225-24K4-16mmQ5	.750in	16.00mm	568	284	142	.188	5.00mm
MC7C225-24K5-22K4	.750in	.688in	568	284	142	.250	.188
MC7C225-24-18mm	.750in	18.00mm	568	284	142	---	---
MC7C225-24K4-18mmQ5	.750in	18.00mm	568	284	142	.188	5.00mm
MC7C225-24-18.16mm	.750in	18.16mm	568	284	142	---	---
MC7C225-24-23	.750in	.719in	568	284	142	---	---
MC7C225-24-19mm	.750in	19.00mm	568	284	142	---	---
MC7C225-24K4-19mmQ6	.750in	19.00mm	568	284	142	.188	6.00mm
MC7C225-24-24	.750in	.750in	568	284	142	---	---
MC7C225-24K4-24	.750in	.750in	568	284	142	.188	---
MC7C225-24K4-24K4	.750in	.750in	568	284	142	.188	.188
MC7C225-24K4-24W06	.750in	.750in	568	284	142	.188	.189
MC7C225-24W06-24	.750in	.750in	568	284	142	.189	---
MC7C225-24W06-24W06	.750in	.750in	568	284	142	.189	.189
MC7C225-25K4-24K4	.781in	.750in	564	282	141	.188	.188

TABULATED DATA

Copyright HELICAL PRODUCTS CO

MATERIAL: 17-4PH CRES HT

FINISH: Natural

Drawing Number

MC7C225

REV

DO NOT SCALE DRAWING

SHT 5 of 12

ITEM DESCRIPTION (Part Number)	BORE SIZES		TORQUES (lbin)			KEYWAY Width	
	TOLERANCE +.002in or +0.05mm -.000in or 0		Momentary Dynamic	Non- Reversing	Shock or Reversing	TOLERANCE +.002in or +0.05mm -.000in or 0	
	Ø A1	Ø A2				W1	W2
MC7C225-20mmQ6-16K3	20.00mm	.500in	564	282	141	6.00mm	.125
MC7C225-20mm-15mm	20.00mm	15.00mm	564	282	141	---	---
MC7C225-20mm-20	20.00mm	.625in	564	282	141	---	---
MC7C225-20mmQ6-20K4	20.00mm	.625in	564	282	141	6.00mm	.188
MC7C225-20mm-24	20.00mm	.750in	564	282	141	---	---
MC7C225-20mmQ6-24K4	20.00mm	.750in	564	282	141	6.00mm	.188
MC7C225-20mmQ5-20mmQ5	20.00mm	20.00mm	564	282	141	5.00mm	5.00mm
MC7C225-20mmQ5-20mmQ5							
MC7C225-26K4-24K4	.813in	.750in	556	278	139	.188	.188
MC7C225-26K4-24K4							
MC7C225-22mmQ6-12	22.00mm	.375in	528	264	132	6.00mm	---
MC7C225-22mmQ6-16K3	22.00mm	.500in	528	264	132	6.00mm	.125
MC7C225-22mm-20	22.00mm	.625in	528	264	132	---	---
MC7C225-22mmQ6-20K4	22.00mm	.625in	528	264	132	6.00mm	.188
MC7C225-22mmQ8-20K4	22.00mm	.625in	528	264	132	8.00mm	.188
MC7C225-22mm-24	22.00mm	.750in	528	264	132	---	---
MC7C225-22mmQ6-24K4	22.00mm	.750in	528	264	132	6.00mm	.188
MC7C225-22mmQ8-24K4	22.00mm	.750in	528	264	132	8.00mm	.188
MC7C225-22mmQ8-24K4							

TABULATED DATA

Copyright HELICAL PRODUCTS CO

MATERIAL: 17-4PH CRES HT

FINISH: Natural

Drawing Number

MC7C225

REV

DO NOT SCALE DRAWING

SHT 6 of 12

ITEM DESCRIPTION (Part Number)	BORE SIZES		TORQUES (lbin)			KEYWAY Width	
	TOLERANCE +0.02in or +0.05mm -0.00in or 0		Momentary Dynamic	Non- Reversing	Shock or Reversing	TOLERANCE +0.02in or +0.05mm -0.00in or 0	
	Ø A1	Ø A2				W1	W2
MC7C225-28-12	.875in	.375in	524	262	131	---	---
MC7C225-28-16	.875in	.500in	524	262	131	---	---
MC7C225-28K4-16	.875in	.500in	524	262	131	.188	---
MC7C225-28K4-16K3	.875in	.500in	524	262	131	.188	.125
MC7C225-28K5-16K3	.875in	.500in	524	262	131	.250	.125
MC7C225-28-14mm	.875in	14.00mm	524	262	131	---	---
MC7C225-28K4-14mmQ5	.875in	14.00mm	524	262	131	.188	5.00mm
MC7C225-28-20	.875in	.625in	524	262	131	---	---
MC7C225-28-20K4	.875in	.625in	524	262	131	---	.188
MC7C225-28K4-20	.875in	.625in	524	262	131	.188	---
MC7C225-28K4-20K3	.875in	.625in	524	262	131	.188	.125
MC7C225-28K4-20K4	.875in	.625in	524	262	131	.188	.188
MC7C225-28K4-16mmQ5	.875in	16.00mm	524	262	131	.188	5.00mm
MC7C225-28-22	.875in	.688in	524	262	131	---	---
MC7C225-28K4-22K4	.875in	.688in	524	262	131	.188	.188
MC7C225-28K5-18mmK4	.875in	18.00mm	524	262	131	.250	.188
MC7C225-28K4-23K4	.875in	.719in	524	262	131	.188	.188
MC7C225-28K4-19mmQ6	.875in	19.00mm	524	262	131	.188	6.00mm
MC7C225-28-24	.875in	.750in	524	262	131	---	---
MC7C225-28K4-24K4	.875in	.750in	524	262	131	.188	.188
MC7C225-28K4-24K5	.875in	.750in	524	262	131	.188	.250
MC7C225-28K4-24W04	.875in	.750in	524	262	131	.188	.126
MC7C225-28-20mm	.875in	20.00mm	524	262	131	---	---
MC7C225-28K4-20mmQ6	.875in	20.00mm	524	262	131	.188	6.00mm
MC7C225-28K4-26K4	.875in	.813in	524	262	131	.188	.188
MC7C225-28-22mm	.875in	22.00mm	524	262	131	---	---
MC7C225-28-28	.875in	.875in	524	262	131	---	---
MC7C225-28K4-28K4	.875in	.875in	524	262	131	.188	.188
MC7C225-28K5-28K4	.875in	.875in	524	262	131	.250	.188
MC7C225-28K5-28K5	.875in	.875in	524	262	131	.250	.250
MC7C225-30K3-20W04	.938in	.625in	484	242	121	.125	.126
MC7C225-30K6-28K4	.938in	.875in	484	242	121	.313	.188

TABULATED DATA

Copyright HELICAL PRODUCTS CO

MATERIAL: 17-4PH CRES HT

FINISH: Natural

Drawing Number

MC7C225

REV

DO NOT SCALE DRAWING

SHT 7 of 12

ITEM DESCRIPTION (Part Number)	BORE SIZES		TORQUES (lbin)			KEYWAY Width	
	TOLERANCE +0.02in or +0.05mm -0.00in or 0		Momentary Dynamic	Non- Reversing	Shock or Reversing	TOLERANCE +0.02in or +0.05mm -0.00in or 0	
	Ø A1	Ø A2				W1	W2
MC7C225-24mm-12mm	24.00mm	12.00mm	472	236	118	---	---
MC7C225-24mmQ8-16K3	24.00mm	.500in	472	236	118	8.00mm	.125
MC7C225-24mm-20	24.00mm	.625in	472	236	118	---	---
MC7C225-24mmQ6-20	24.00mm	.625in	472	236	118	6.00mm	---
MC7C225-24mmQ8-20	24.00mm	.625in	472	236	118	8.00mm	---
MC7C225-24mmQ8-20K4	24.00mm	.625in	472	236	118	8.00mm	.188
MC7C225-24mm-22	24.00mm	.688in	472	236	118	---	---
MC7C225-24mmQ8-22	24.00mm	.688in	472	236	118	8.00mm	---
MC7C225-24mm-18mm	24.00mm	18.00mm	472	236	118	---	---
MC7C225-24mmQ8-18mm	24.00mm	18.00mm	472	236	118	8.00mm	---
MC7C225-24mm-19mm	24.00mm	19.00mm	472	236	118	---	---
MC7C225-24mm-24	24.00mm	.750in	472	236	118	---	---
MC7C225-24mm-24K4	24.00mm	.750in	472	236	118	---	.188
MC7C225-24mmQ8-24K4	24.00mm	.750in	472	236	118	8.00mm	.188
MC7C225-24mm-20mm	24.00mm	20.00mm	472	236	118	---	---
MC7C225-24mmQ8-20mmQ6	24.00mm	20.00mm	472	236	118	8.00mm	6.00mm
MC7C225-24mm-28	24.00mm	.875in	472	236	118	---	---
MC7C225-24mm-28K4	24.00mm	.875in	472	236	118	---	.188
MC7C225-24mmQ8-28K4	24.00mm	.875in	472	236	118	8.00mm	.188
MC7C225-24mmQ8-28K6	24.00mm	.875in	472	236	118	8.00mm	.313
MC7C225-24mmK5-30K5	24.00mm	.938in	472	236	118	.250	.250
MC7C225-24mm-24mm	24.00mm	24.00mm	472	236	118	---	---
MC7C225-24mmQ8-24mmQ8	24.00mm	24.00mm	472	236	118	8.00mm	8.00mm
MC7C225-24.89mm-16K3	24.89mm	.500in	444	222	111	---	.125
MC7C225-24.95mm-16K3	24.95mm	.500in	444	222	111	---	.125
MC7C225-25mm-24K4	25.00mm	.750in	444	222	111	---	.188
MC7C225-25mmQ8-24K4	25.00mm	.750in	444	222	111	8.00mm	.188
MC7C225-25mm-28	25.00mm	.875in	444	222	111	---	---
MC7C225-25mmQ8-24mmQ8	25.00mm	24.00mm	444	222	111	8.00mm	8.00mm
MC7C225-25mm-24mm	25.00mm	24.00mm	444	222	111	---	---
MC7C225-25mm-25mm	25.00mm	25.00mm	444	222	111	---	---
MC7C225-25mmK4-25mmK4	25.00mm	25.00mm	444	222	111	.188	.188
MC7C225-25mmQ8-25mmQ8	25.00mm	25.00mm	444	222	111	8.00mm	8.00mm

TABULATED DATA

Copyright HELICAL PRODUCTS CO

MATERIAL: 17-4PH CRES HT

FINISH: Natural

Drawing Number

MC7C225

REV

DO NOT SCALE DRAWING

SHT 8 of 12

ITEM DESCRIPTION (Part Number)	BORE SIZES		TORQUES (lbin)			KEYWAY Width	
	TOLERANCE +0.02in or +0.05mm -0.00in or 0		Momentary Dynamic	Non- Reversing	Shock or Reversing	TOLERANCE +0.02in or +0.05mm -0.00in or 0	
	Ø A1	Ø A2				W1	W2
MC7C225-32-8	1.000in	.250in	444	222	111	---	---
MC7C225-32-10	1.000in	.313in	444	222	111	---	---
MC7C225-32-12	1.000in	.375in	444	222	111	---	---
MC7C225-32K5-12	1.000in	.375in	444	222	111	.250	---
MC7C225-32K5-12K1	1.000in	.375in	444	222	111	.250	.094
MC7C225-32-10mm	1.000in	10.00mm	444	222	111	---	---
MC7C225-32K5-10mm	1.000in	10.00mm	444	222	111	.250	---
MC7C225-32K4-12.57mmK3	1.000in	12.57mm	444	222	111	.188	.125
MC7C225-32-16	1.000in	.500in	444	222	111	---	---
MC7C225-32-16K3	1.000in	.500in	444	222	111	---	.125
MC7C225-32K4-16W04	1.000in	.500in	444	222	111	.188	.126
MC7C225-32K5-16	1.000in	.500in	444	222	111	.250	---
MC7C225-32K5-16K3	1.000in	.500in	444	222	111	.250	.125
MC7C225-32K5-16K4	1.000in	.500in	444	222	111	.250	.188
MC7C225-32-14mm	1.000in	14.00mm	444	222	111	---	---
MC7C225-32K5-14mmQ5	1.000in	14.00mm	444	222	111	.250	5.00mm
MC7C225-32-15.75mm	1.000in	15.75mm	444	222	111	---	---
MC7C225-32-20	1.000in	.625in	444	222	111	---	---
MC7C225-32K4-20K4	1.000in	.625in	444	222	111	.188	.188
MC7C225-32K5-20	1.000in	.625in	444	222	111	.250	---
MC7C225-32K5-20K3	1.000in	.625in	444	222	111	.250	.125
MC7C225-32K5-20K4	1.000in	.625in	444	222	111	.250	.188
MC7C225-32K5-20K5	1.000in	.625in	444	222	111	.250	.250
MC7C225-32K6-20K4	1.000in	.625in	444	222	111	.313	.188
MC7C225-32-15.92mm	1.000in	15.92mm	444	222	111	---	---
MC7C225-32-16mm	1.000in	16.00mm	444	222	111	---	---
MC7C225-32K5-16mmQ5	1.000in	16.00mm	444	222	111	.250	5.00mm
MC7C225-32-21	1.000in	.656in	444	222	111	---	---
MC7C225-32-19mm	1.000in	19.00mm	444	222	111	---	---
MC7C225-32K5-19mmQ6	1.000in	19.00mm	444	222	111	.250	6.00mm
MC7C225-32-24	1.000in	.750in	444	222	111	---	---
MC7C225-32-24K4	1.000in	.750in	444	222	111	---	.188
MC7C225-32K4-24K4	1.000in	.750in	444	222	111	.188	.188
MC7C225-32K4-24W06	1.000in	.750in	444	222	111	.188	.189
MC7C225-32K5-24	1.000in	.750in	444	222	111	.250	---
MC7C225-32K5-24K4	1.000in	.750in	444	222	111	.250	.188
MC7C225-32K5-24W06	1.000in	.750in	444	222	111	.250	.189
MC7C225-32-20mm	1.000in	20.00mm	444	222	111	---	---

TABULATED DATA

Copyright HELICAL PRODUCTS CO

MATERIAL: 17-4PH CRES HT

FINISH: Natural

Drawing Number

MC7C225

REV

DO NOT SCALE DRAWING

SHT 9 of 12

ITEM DESCRIPTION (Part Number)	BORE SIZES		TORQUES (lbin)			KEYWAY Width	
	TOLERANCE +0.002in or +0.05mm -0.000in or 0		Momentary Dynamic	Non- Reversing	Shock or Reversing	TOLERANCE +0.002in or +0.05mm -0.000in or 0	
	Ø A1	Ø A2				W1	W2
MC7C225-32K5-20mmQ6	1.000in	20.00mm	444	222	111	.250	6.00mm
MC7C225-32K6-20mmQ6	1.000in	20.00mm	444	222	111	.313	6.00mm
MC7C225-32-22mm	1.000in	22.00mm	444	222	111	---	---
MC7C225-32K5-22mm	1.000in	22.00mm	444	222	111	.250	---
MC7C225-32K5-22mmQ6	1.000in	22.00mm	444	222	111	.250	6.00mm
MC7C225-32K5-22mmQ8	1.000in	22.00mm	444	222	111	.250	8.00mm
MC7C225-32-28	1.000in	.875in	444	222	111	---	---
MC7C225-32-28K4	1.000in	.875in	444	222	111	---	.188
MC7C225-32K4-28K4	1.000in	.875in	444	222	111	.188	.188
MC7C225-32K5-28K4	1.000in	.875in	444	222	111	.250	.188
MC7C225-32-24mm	1.000in	24.00mm	444	222	111	---	---
MC7C225-32K4-24mm	1.000in	24.00mm	444	222	111	.188	---
MC7C225-32K5-24mmQ8	1.000in	24.00mm	444	222	111	.250	8.00mm
MC7C225-32-25mm	1.000in	25.00mm	444	222	111	---	---
MC7C225-32-32	1.000in	1.000in	444	222	111	---	---
MC7C225-32K5-32	1.000in	1.000in	444	222	111	.250	---
MC7C225-32K5-32K5	1.000in	1.000in	444	222	111	.250	.250
MC7C225-26mm-24	26.00mm	.750in	444	222	111	---	---
MC7C225-33-24	1.031in	.750in	444	222	111	---	---
MC7C225-BLANK (NON STD)	1.050in	.297in	---	---	---	---	---
MC7C225-35K5-20mmQ6	1.094in	20.00mm	444	222	111	.250	6.00mm
MC7C225-28mmQ8-16K3	28.00mm	.500in	444	222	111	8.00mm	.125
MC7C225-28mmQ8-28K4	28.00mm	.875in	444	222	111	8.00mm	.188
MC7C225-28mmQ8-24mm	28.00mm	24.00mm	444	222	111	8.00mm	---
MC7C225-28mmQ8-32K5	28.00mm	1.000in	444	222	111	8.00mm	.250
MC7C225-28mm-32	28.00mm	1.000in	444	222	111	---	---
MC7C225-28.04mm-24	28.04mm	.750in	444	222	111	---	---

TABULATED DATA

Copyright HELICAL PRODUCTS CO

MATERIAL: 17-4PH CRES HT

FINISH: Natural

Drawing Number

MC7C225

REV

DO NOT SCALE DRAWING

SHT10 of 12

ITEM DESCRIPTION (Part Number)	BORE SIZES		TORQUES (lbin)			KEYWAY Width	
	TOLERANCE +0.002in or +0.05mm -0.000in or 0		Momentary Dynamic	Non- Reversing	Shock or Reversing	TOLERANCE +0.002in or +0.05mm -0.000in or 0	
	Ø A1	Ø A2				W1	W2
MC7C225-36K5-16K3	1.125in	.500in	444	222	111	.250	.125
MC7C225-36-20	1.125in	.625in	444	222	111	---	---
MC7C225-36K5-20K4	1.125in	.625in	444	222	111	.250	.188
MC7C225-36K5-17mmQ5	1.125in	17.00mm	444	222	111	.250	5.00mm
MC7C225-36K4-24K4	1.125in	.750in	444	222	111	.188	.188
MC7C225-36K5-24K3	1.125in	.750in	444	222	111	.250	.125
MC7C225-36K5-24K4	1.125in	.750in	444	222	111	.250	.188
MC7C225-36K5-24W06	1.125in	.750in	444	222	111	.250	.189
MC7C225-36K5-26K4	1.125in	.813in	444	222	111	.250	.188
MC7C225-36-22mm	1.125in	22.00mm	444	222	111	---	---
MC7C225-36-28	1.125in	.875in	444	222	111	---	---
MC7C225-36K5-28K4	1.125in	.875in	444	222	111	.250	.188
MC7C225-36-32	1.125in	1.000in	444	222	111	---	---
MC7C225-36K5-32	1.125in	1.000in	444	222	111	.250	---
MC7C225-36K5-32K5	1.125in	1.000in	444	222	111	.250	.250
MC7C225-36K5-36	1.125in	1.125in	444	222	111	.250	---
MC7C225-36K5-36K5	1.125in	1.125in	444	222	111	.250	.250
MC7C225-38-28	1.188in	.875in	444	222	111	---	---
MC7C225-38-24mm	1.188in	24.00mm	444	222	111	---	---
MC7C225-38K5-36K5	1.188in	1.125in	444	222	111	.250	.250
MC7C225-40K5-12	1.250in	.375in	444	222	111	.250	---
MC7C225-40K5-20K4	1.250in	.625in	444	222	111	.250	.188
MC7C225-40-24	1.250in	.750in	444	222	111	---	---
MC7C225-40-24K4	1.250in	.750in	444	222	111	---	.188
MC7C225-40K5-24K4	1.250in	.750in	444	222	111	.250	.188
MC7C225-40-20mm	1.250in	20.00mm	444	222	111	---	---
MC7C225-40K5-24mmQ8	1.250in	24.00mm	444	222	111	.250	8.00mm
MC7C225-40K5-32	1.250in	1.000in	444	222	111	.250	---
MC7C225-40K5-32K5	1.250in	1.000in	444	222	111	.250	.250
MC7C225-40K5-28mmQ8	1.250in	28.00mm	444	222	111	.250	8.00mm
MC7C225-40K5-36K5	1.250in	1.125in	444	222	111	.250	.250
MC7C225-40-40	1.250in	1.250in	444	222	111	---	---
MC7C225-40K5-40K5	1.250in	1.250in	444	222	111	.250	.250

TABULATED DATA

Copyright HELICAL PRODUCTS CO

MATERIAL: 17-4PH CRES HT

FINISH: Natural

Drawing Number

MC7C225

REV

DO NOT SCALE DRAWING

SHT11 of 12

ITEM DESCRIPTION (Part Number)	BORE SIZES		TORQUES (lbin)			KEYWAY Width	
	TOLERANCE +0.002in or +0.05mm -0.000in or 0		Momentary Dynamic	Non- Reversing	Shock or Reversing	TOLERANCE +0.002in or +0.05mm -0.000in or 0	
	Ø A1	Ø A2				W1	W2
MC7C225-32mm-12mm	32.00mm	12.00mm	444	222	111	---	---
MC7C225-32mm-20	32.00mm	.625in	444	222	111	---	---
MC7C225-32mmQ10-16K3	32.00mm	.500in	444	222	111	10.00mm	.125
MC7C225-32mmQ10-24K3	32.00mm	.750in	444	222	111	10.00mm	.125
MC7C225-32mmQ10-24K4	32.00mm	.750in	444	222	111	10.00mm	.188
MC7C225-32mmK4-28K4	32.00mm	.875in	444	222	111	.188	.188
MC7C225-32mmQ10-28K4	32.00mm	.875in	444	222	111	10.00mm	.188
MC7C225-32mm-32	32.00mm	1.000in	444	222	111	---	---
MC7C225-32mmQ10-32K5	32.00mm	1.000in	444	222	111	10.00mm	.250
MC7C225-32mm-26mm	32.00mm	26.00mm	444	222	111	---	---
MC7C225-32mmQ10-40K5	32.00mm	1.250in	444	222	111	10.00mm	.250
MC7C225-32mm-32mm	32.00mm	32.00mm	444	222	111	---	---
MC7C225-44-20	1.375in	.625in	444	222	111	---	---
MC7C225-44K6-20K4	1.375in	.625in	444	222	111	.313	.188
MC7C225-44-24	1.375in	.750in	444	222	111	---	---
MC7C225-44K6-24K4	1.375in	.750in	444	222	111	.313	.188
MC7C225-44-28	1.375in	.875in	444	222	111	---	---
MC7C225-44-28K4	1.375in	.875in	444	222	111	---	.188
MC7C225-44K6-28K4	1.375in	.875in	444	222	111	.313	.188
MC7C225-44K6-30K5	1.375in	.938in	444	222	111	.313	.250
MC7C225-44-24mmQ8	1.375in	24.00mm	444	222	111	---	8.00mm
MC7C225-44K6-24mmQ8	1.375in	24.00mm	444	222	111	.313	8.00mm
MC7C225-44-32	1.375in	1.000in	444	222	111	---	---
MC7C225-44Q10-32K5	1.375in	1.000in	444	222	111	10.00mm	.250
MC7C225-44K6-32mmQ10	1.375in	32.00mm	444	222	111	.313	10.00mm
MC7C225-44-44	1.375in	1.375in	444	222	111	---	---
MC7C225-44K6-44K6	1.375in	1.375in	444	222	111	.313	.313
MC7C225-35mm-16	35.00mm	.500in	444	222	111	---	---
MC7C225-35mm-20	35.00mm	.625in	444	222	111	---	---
MC7C225-35mmQ10-20K4	35.00mm	.625in	444	222	111	10.00mm	.188
MC7C225-35mmQ10-23K4	35.00mm	.719in	444	222	111	10.00mm	.188
MC7C225-35mm-24K4	35.00mm	.750in	444	222	111	---	.188
MC7C225-35mmQ10-24K4	35.00mm	.750in	444	222	111	10.00mm	.188
MC7C225-35mm-28	35.00mm	.875in	444	222	111	---	---
MC7C225-35mm-25mm	35.00mm	25.00mm	444	222	111	---	---
MC7C225-35mmQ10-32K5	35.00mm	1.000in	444	222	111	10.00mm	.250

TABULATED DATA

Copyright HELICAL PRODUCTS CO

MATERIAL: 17-4PH CRES HT

FINISH: Natural

Drawing Number

MC7C225

REV

DO NOT SCALE DRAWING

SHT12 of 12

ITEM DESCRIPTION (Part Number)	BORE SIZES		TORQUES (lbin)			KEYWAY Width	
	TOLERANCE +0.002in or +0.05mm -0.000in or 0		Momentary Dynamic	Non- Reversing	Shock or Reversing	TOLERANCE +0.002in or +0.05mm -0.000in or 0	
Ø A1	Ø A2	W1				W2	
MC7C225-35mm-40	35.00mm	1.250in	444	222	111	---	---
MC7C225-35mmQ10-40K7	35.00mm	1.250in	444	222	111	10.00mm	.375
MC7C225-48K7-20K4	1.500in	.625in	444	222	111	.375	.188
MC7C225-48K7-24K4	1.500in	.750in	444	222	111	.375	.188
MC7C225-48K7-28K4	1.500in	.875in	444	222	111	.375	.188
MC7C225-48K7-32K5	1.500in	1.000in	444	222	111	.375	.250
MC7C225-48-28mm	1.500in	28.00mm	444	222	111	---	---
MC7C225-48K7-36K5	1.500in	1.125in	444	222	111	.375	.250
MC7C225-48K7-48K7	1.500in	1.500in	444	222	111	.375	.375