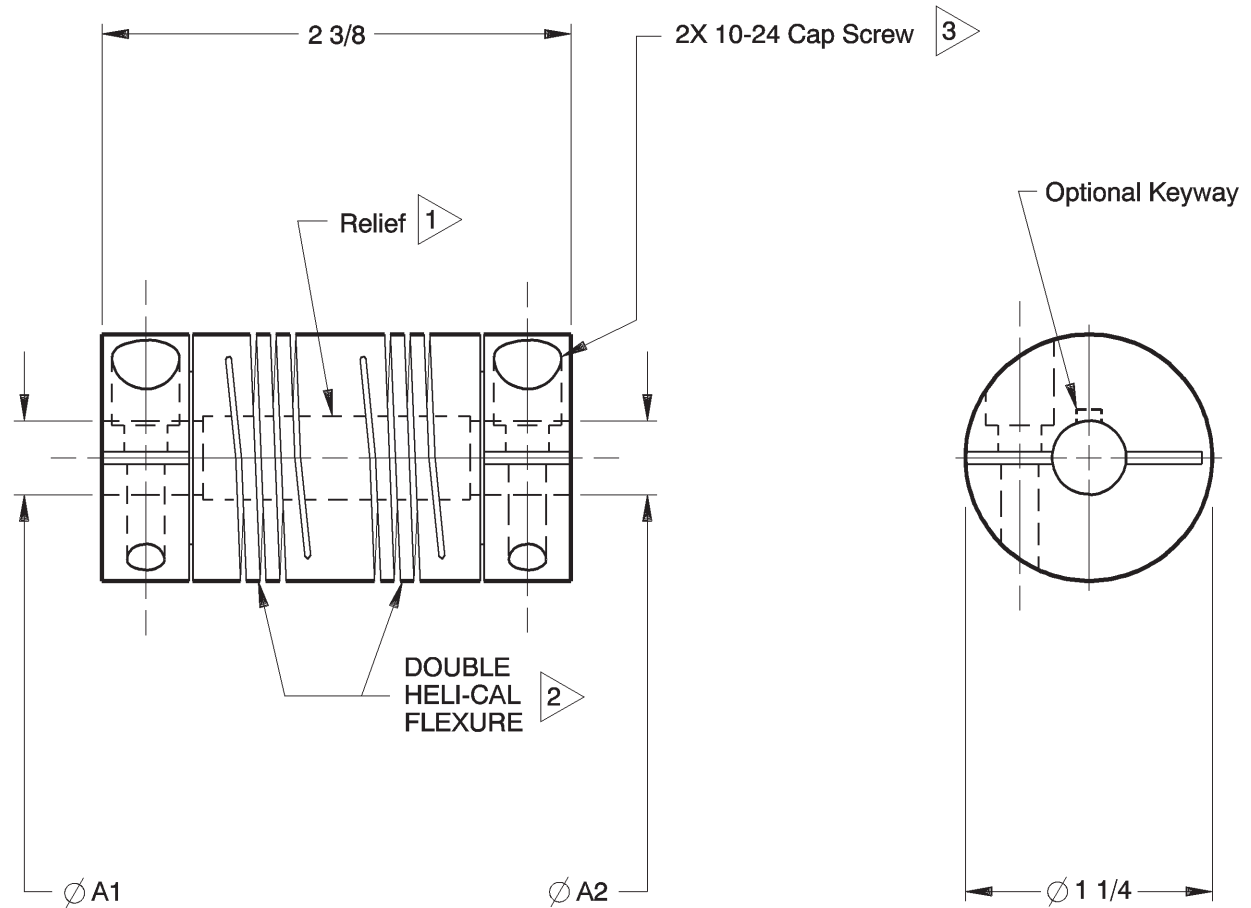


NOTES: See Tabulated Sheet

- 1 Relief permits component shafts to near butt.
- 2 Hubs and HELI-CAL FLEXURE are made from a single piece of material.
- 3 Integral Clamp attachment, hex. socket, cap screw furnished: both hubs.
- 4 Backlash: None. No lubrication required.
- 5 Permitted axial motion from free length: ±.010in
- 6 Working torque ratings are based upon continuous duty with noted misalignments applied separately and may be increased with improved alignment:
- See Tabulated Sheet
- 7 Permissible shaft misalignment:
Angular, up to 5 degrees.
Offset, up to .030in (TIR, .060in)
- 8 Part will have a 1.306in Clearance Diameter on both ends when any bore is over .447in thru .512in, or a 1.465in Clearance Diameter when any bore is over .512in thru .668in.



MCAC125-12-12 SHOWN

NOTICE: THE INFORMATION AND DATA CONTAINED HEREIN IS CONSIDERED PROPRIETARY TO HELICAL PRODUCTS COMPANY, AND SHALL REMAIN THE EXCLUSIVE PROPERTY OF HELICAL. THE HOLDER WILL ASSUME CUSTODY AND CONTROL THAT THIS DOCUMENT WILL NOT BE COPIED, REPRODUCED OR DISCLOSED WITHOUT THE EXPRESS WRITTEN CONSENT OF HELICAL. POSSESSION OF THIS DOCUMENT DOES NOT CONSTITUTE A GRANT TO MANUFACTURE ANY ITEMS.

DO NOT SCALE DRAWING.

01-25-10	---	Finish was Chromic Acid Anodize; Updated GD&T	HG	JAJ
10-28-98		Clerical format update/ No revision	BJM	
DATE	LTR	REVISION	CHK	

Unless otherwise noted dimensions in inches.

Tolerances are:
Fractions: ±1/64
Decimals: .XX ±.010
.XXX ±.005
.XXXX ±.0010
Angles: ± 2 degrees
Break sharp corners .010 max.

APPROVALS	DATE
DRAWN MC	3-31-81
CHECKED MC	3-31-81
PRODN APA	3-31-81
ISSUED	
WEIGHT	113g (calc)
SCALE 2/1	SIZE A

HELICAL PRODUCTS CO.	
P.O. BOX 1069 SANTA MARIA, CA. 93456 U.S.A PHONE (805) 928-3851 FSC13201	
TITLE	HELICAL FLEXIBLE SHAFT COUPLING
MATERIAL	7075-T6 Aluminum Alloy
FINISH	Anodize per HPS1000
DWG NO	MCAC125

ADDITION DATE	PART NUMBER	BORE TOLERANCES		TORQUES (lbin)			TORSIONAL FLEXIBILITY	MASS MOMENT OF INERTIA	COMMENTS	A1	A2	
		+.002in -.000in	or +.05mm -.00mm	Non-reversing	Shock or Reversing	Momentary						deg/lbin
09 Mar 88	MCAC125-10-8	.313in	.250in	28	14	56						
09 Mar 88	MCAC125-10-10	.313in	.313in	28	14	56						
14 Mar 06	MCAC125-8mm-8	8.00mm	.250in	28	14	56						
09 Mar 88	MCAC125-8mm-10	8.00mm	.313in	28	14	56						
09 Mar 88	MCAC125-8mm-8mm	8.00mm	8.00mm	28	14	56						
20 Jul 88	MCAC125-9.3mm-6.66mm	9.30mm	6.66mm	24	12	48						
09 Mar 88	MCAC125-12-6	.375in	.188in	24	12	48						
	MCAC125-12-6mm	.375in	6.00mm	24	12	48						
09 Mar 88	MCAC125-12-8	.375in	.250in	24	12	48						
	MCAC125-12-7mm	.375in	7.00mm	24	12	48						
09 Mar 88	MCAC125-12-9	.375in	.282in	24	12	48						
09 Mar 88	MCAC125-12-10	.375in	.313in	24	12	48						
	MCAC125-12-8mm	.375in	8.00mm	24	12	48						
09 Mar 88	MCAC125-12K1-12K1	.375in	.375in	24	12	48		Keyway Width:	.094/.096in	.094/.096in		
09 Mar 88	MCAC125-12-12	.375in	.375in	24	12	48						
09 Mar 88	MCAC125-10mm-8	10.00mm	.250in	24	12	48						
09 Mar 88	MCAC125-10mm-10	10.00mm	.313in	24	12	48						
09 Mar 88	MCAC125-10mm-12	10.00mm	.375in	24	12	48						
09 Mar 88	MCAC125-10mm-10mm	10.00mm	10.00mm	24	12	48						
01 Jul 88	MCAC125-13-8	.407in	.250in	23	11	46						
01 Jul 88	MCAC125-13-12	.407in	.375in	23	11	46						
	MCAC125-11mm-10mm	11.00mm	10.00mm	21	10	42						
	MCAC125-11mmK2-11mmQ4	11.00mm	11.00mm	21	10	42		Keyway Width:	.156/.158in	4.00/4.05mm		
19 Dec 89	MCAC125-11mmQ4-11mmQ4	11.00mm	11.00mm	21	10	42		Keyway Width:	4.00/4.05mm	4.00/4.05mm		
01 Jul 88	MCAC125-14-8	.438in	.250in	21	10	42						
24 Jan 06	MCAC125-14-7mm	.438in	7.00mm	21	10	42						
25 Jan 00	MCAC125-14-10	.438in	.313in	21	10	42						
	MCAC125-14-12	.438in	.375in	21	10	42						
	MCAC125-15-12	.469in	.375in	18	9	36		Clearance Diam.:	1.306in			

* NOTE: Bores greater than .512in Dia: bore depth is .520in

NOTICE: THE INFORMATION AND DATA CONTAINED HEREIN IS CONSIDERED PROPRIETARY TO HELICAL PRODUCTS COMPANY, AND SHALL REMAIN THE EXCLUSIVE PROPERTY OF HELICAL. THE HOLDER WILL ASSUME CUSTODY AND CONTROL THAT THIS DOCUMENT WILL NOT BE COPIED, REPRODUCED OR DISCLOSED WITHOUT THE EXPRESS WRITTEN CONSENT OF HELICAL. POSSESSION OF THIS DOCUMENT DOES NOT CONSTITUTE A GRANT TO MANUFACTURE ANY ITEMS.

ADDITIONAL BORE SIZES AVAILABLE UPON REQUEST

APPROVALS	DATE
DRAWN	
CHECKED	
PRODN	
ISSUED	5/11/2010 2:00:39 PM

HELICAL PRODUCTS CO.
P.O. BOX 1069 SANTA MARIA, CA. 93456 U.S.A
PHONE (805) 928-3851 FSCI3201

TITLE **HELICAL FLEXIBLE SHAFT COUPLING**

TABULATED BORE SIZES

DWG NO **MCAC125**

Printed 5/11/2010 2:01:08 PM by Larryvg

ADDITION DATE	PART NUMBER	BORE TOLERANCES		TORQUES (lbin)			TORSIONAL FLEXIBILITY	MASS MOMENT OF INERTIA	COMMENTS	A1	A2	
		+.002in -.000in	or +.05mm -.00mm	Non-reversing	Shock or Reversing	Momentary						deg/lbin
	MCAC125-15W04-15W04	.469in	.469in	18	9	36			Clearance Diam.: 1.306in			
									Keyway Width: .126/.128in.126/.128in			
									Woodruf Kwy. Series: 400 400			
01 Jul 88	MCAC125-12mm-8	12.00mm	.250in	18	9	36			Clearance Diam.: 1.306in			
09 Mar 88	MCAC125-12mm-12	12.00mm	.375in	18	9	36			Clearance Diam.: 1.306in			
	MCAC125-12mm-11mm	12.00mm	11.00mm	18	9	36			Clearance Diam.: 1.306in			
19 Dec 89	MCAC125-12mm-12mm	12.00mm	12.00mm	18	9	36			Clearance Diam.: 1.306in			
11 May 10	MCAC125-12.5mm-12	12.50mm	.375in	18	9	36			Clearance Diam.: 1.306in			
03 Nov 89	MCAC125-16-6	.500in	.188in	18	9	36			Clearance Diam.: 1.306in			
01 Jul 88	MCAC125-16-6mm	.500in	6.00mm	18	9	36			Clearance Diam.: 1.306in			
09 Mar 88	MCAC125-16-8	.500in	.250in	18	9	36			Clearance Diam.: 1.306in			
09 Mar 88	MCAC125-16K3-8	.500in	.250in	18	9	36			Clearance Diam.: 1.306in			
									Keyway Width: .125/.127in			
24 Apr 00	MCAC125-16-6.76mm	.500in	6.76mm	18	9	36			Clearance Diam.: 1.306in			
09 Mar 88	MCAC125-16-7mm	.500in	7.00mm	18	9	36			Clearance Diam.: 1.306in			
09 Mar 88	MCAC125-16K3-10K1	.500in	.313in	18	9	36			Clearance Diam.: 1.306in			
									Keyway Width: .125/.127in.094/.096in			
01 Jul 88	MCAC125-16K3-10	.500in	.313in	18	9	36			Clearance Diam.: 1.306in			
									Keyway Width: .125/.127in			
09 Mar 88	MCAC125-16-10	.500in	.313in	18	9	36			Clearance Diam.: 1.306in			
22 Feb 89	MCAC125-16-8mm	.500in	8.00mm	18	9	36			Clearance Diam.: 1.306in			
09 Mar 88	MCAC125-16K3-12	.500in	.375in	18	9	36			Clearance Diam.: 1.306in			
									Keyway Width: .125/.127in			
09 Mar 88	MCAC125-16K3-12K1	.500in	.375in	18	9	36			Clearance Diam.: 1.306in			
									Keyway Width: .125/.127in.094/.096in			
	MCAC125-16K3-12K3	.500in	.375in	18	9	36			Clearance Diam.: 1.306in			
									Keyway Width: .125/.127in.125/.127in			
09 Mar 88	MCAC125-16-12	.500in	.375in	18	9	36			Clearance Diam.: 1.306in			
	MCAC125-16-10mm	.500in	10.00mm	18	9	36			Clearance Diam.: 1.306in			
	MCAC125-16K3-10mmQ3	.500in	10.00mm	18	9	36			Clearance Diam.: 1.306in			
									Keyway Width: .125/.127in3.00/3.05mm			

* NOTE: Bores greater than .512in Dia: bore depth is .520in

NOTICE: THE INFORMATION AND DATA CONTAINED HEREIN IS CONSIDERED PROPRIETARY TO HELICAL PRODUCTS COMPANY, AND SHALL REMAIN THE EXCLUSIVE PROPERTY OF HELICAL. THE HOLDER WILL ASSUME CUSTODY AND CONTROL THAT THIS DOCUMENT WILL NOT BE COPIED, REPRODUCED OR DISCLOSED WITHOUT THE EXPRESS WRITTEN CONSENT OF HELICAL. POSSESSION OF THIS DOCUMENT DOES NOT CONSTITUTE A GRANT TO MANUFACTURE ANY ITEMS.

ADDITIONAL BORE SIZES AVAILABLE UPON REQUEST

APPROVALS

DATE

DRAWN

CHECKED

PRODN

ISSUED

5/11/2010
2: 00: 39 PM

HELICAL PRODUCTS CO.

P.O. BOX 1069 SANTA MARIA, CA. 93456 U.S.A
PHONE (805) 928-3851/FSCI3201

TITLE **HELICAL FLEXIBLE SHAFT COUPLING**

TABULATED BORE SIZES

DWG NO

MCAC125

Printed 5/11/2010 2: 01: 08 PM by Larryvg

ADDITION DATE	PART NUMBER	BORE TOLERANCES		TORQUES (lbin)			TORSIONAL FLEXIBILITY	MASS MOMENT OF INERTIA	COMMENTS	A1	A2	
		+.002in -.000in	or +.05mm -.00mm	Non-reversing	Shock or Reversing	Momentary						deg/lbin
09 Mar 88	MCAC125-16K3-11mmQ4	.500in	11.00mm	18	9	36			Clearance Diam.: 1.306in			
									Keyway Width: .125/.127in	4.00/4.05mm		
09 Mar 88	MCAC125-16-12mm	.500in	12.00mm	18	9	36			Clearance Diam.: 1.306in			
	MCAC125-16K3-12mm	.500in	12.00mm	18	9	36			Clearance Diam.: 1.306in			
									Keyway Width: .125/.127in			
01 Jul 88	MCAC125-16-12.2mm	.500in	12.20mm	18	9	36			Clearance Diam.: 1.306in			
09 Mar 88	MCAC125-16K3-16K3	.500in	.500in	18	9	36			Clearance Diam.: 1.306in			
									Keyway Width: .125/.127in	.125/.127in		
	MCAC125-16W04-16W04	.500in	.500in	18	9	36			Clearance Diam.: 1.306in			
									Keyway Width: .126/.128in	.126/.128in		
									Woodruf Kwy. Series: 400	400		
	MCAC125-16K1-16K1	.500in	.500in	18	9	36			Clearance Diam.: 1.306in			
									Keyway Width: .094/.096in	.094/.096in		
09 Mar 88	MCAC125-16-16	.500in	.500in	18	9	36			Clearance Diam.: 1.306in			
	MCAC125-14mm-8	*14.00mm	.250in	18	9	36			Clearance Diam.: 1.465in			
30 Sep 05	MCAC125-14mmQ5-8	*14.00mm	.250in	18	9	36			Clearance Diam.: 1.465in			
									Keyway Width: 5.00/5.05mm			
	MCAC125-14mm-10	*14.00mm	.313in	18	9	36			Clearance Diam.: 1.465in			
	MCAC125-14mm-12	*14.00mm	.375in	18	9	36			Clearance Diam.: 1.465in			
08 May 89	MCAC125-14mmQ5-12	*14.00mm	.375in	18	9	36			Clearance Diam.: 1.465in			
									Keyway Width: 5.00/5.05mm			
08 May 89	MCAC125-14mmQ5-16K3	*14.00mm	.500in	18	9	36			Clearance Diam.: 1.465in			
									Keyway Width: 5.00/5.05mm	.125/.127in		
01 Jul 88	MCAC125-15mm-6mm	*15.00mm	6.00mm	18	9	36			Clearance Diam.: 1.465in			
01 Jul 88	MCAC125-15mm-8	*15.00mm	.250in	18	9	36			Clearance Diam.: 1.465in			
01 Jul 88	MCAC125-15mm-12	*15.00mm	.375in	18	9	36			Clearance Diam.: 1.465in			
03 Apr 89	MCAC125-15mmQ5-12	*15.00mm	.375in	18	9	36			Clearance Diam.: 1.465in			
									Keyway Width: 5.00/5.05mm			
	MCAC125-15mm-16	*15.00mm	.500in	18	9	36			Clearance Diam.: 1.465in			
09 Mar 88	MCAC125-15mmQ5-16	*15.00mm	.500in	18	9	36			Clearance Diam.: 1.465in			
									Keyway Width: 5.00/5.05mm			

* NOTE: Bores greater than .512in Dia: bore depth is .520in

NOTICE: THE INFORMATION AND DATA CONTAINED HEREIN IS CONSIDERED PROPRIETARY TO HELICAL PRODUCTS COMPANY, AND SHALL REMAIN THE EXCLUSIVE PROPERTY OF HELICAL. THE HOLDER WILL ASSUME CUSTODY AND CONTROL THAT THIS DOCUMENT WILL NOT BE COPIED, REPRODUCED OR DISCLOSED WITHOUT THE EXPRESS WRITTEN CONSENT OF HELICAL. POSSESSION OF THIS DOCUMENT DOES NOT CONSTITUTE A GRANT TO MANUFACTURE ANY ITEMS.

ADDITIONAL BORE SIZES AVAILABLE UPON REQUEST

APPROVALS

DATE

DRAWN

CHECKED

PRODN

ISSUED

5/11/2010
2:00:39 PM

HELICAL PRODUCTS CO.

P.O. BOX 1069 SANTA MARIA, CA. 93456 U.S.A
PHONE (805) 928-3851 FSCI3201

TITLE **HELICAL FLEXIBLE SHAFT COUPLING**

TABULATED BORE SIZES

DWG NO

MCAC125

Printed 5/11/2010 2:01:08 PM by Larry Yg

ADDITION DATE	PART NUMBER	BORE TOLERANCES		TORQUES (lbin)			TORSIONAL FLEXIBILITY	MASS MOMENT OF INERTIA	COMMENTS	A1	A2	
		+.002in -.000in	or +.05mm -.00mm	Non-reversing	Shock or Reversing	Momentary						deg/lbin
09 Mar 88	MCAC125-19-13	* .594in	.407in	18	9	36			Clearance Diam.:	1.465in		
12 Nov 90	MCAC125-20-5	* .625in	.157in	18	9	36			Clearance Diam.:	1.465in		
12 Nov 90	MCAC125-20-8	* .625in	.250in	18	9	36			Clearance Diam.:	1.465in		
09 Mar 88	MCAC125-20-10	* .625in	.313in	18	9	36			Clearance Diam.:	1.465in		
09 Mar 88	MCAC125-20-12	* .625in	.375in	18	9	36			Clearance Diam.:	1.465in		
09 Mar 88	MCAC125-20K4-12	* .625in	.375in	18	9	36			Clearance Diam.:	1.465in		
22 Feb 07	MCAC125-20K4-10mmQ3	* .625in	10.00mm	18	9	36			Keyway Width:	.188/.190in		
09 Mar 88	MCAC125-20-10mm	* .625in	10.00mm	18	9	36			Clearance Diam.:	1.465in		
	MCAC125-20-14	* .625in	.438in	18	9	36			Clearance Diam.:	1.465in		
	MCAC125-20-12mm	* .625in	12.00mm	18	9	36			Clearance Diam.:	1.465in		
07 Oct 03	MCAC125-20K4-12mm	* .625in	12.00mm	18	9	36			Clearance Diam.:	1.465in		
04 Nov 88	MCAC125-20K4-16K3	* .625in	.500in	18	9	36			Keyway Width:	.188/.190in		
09 Mar 88	MCAC125-20-16	* .625in	.500in	18	9	36			Clearance Diam.:	1.465in		
	MCAC125-20K4-16	* .625in	.500in	18	9	36			Clearance Diam.:	1.465in		
	MCAC125-20-13mm	* .625in	13.00mm	18	9	36			Keyway Width:	.188/.190in.125/.127in		
10 Apr 90	MCAC125-20-13.45mm	* .625in	*13.45mm	18	9	36			Clearance Diam.:	1.465in		
	MCAC125-20-14mm	* .625in	*14.00mm	18	9	36			Clearance Diam.:	1.465in		
04 Nov 88	MCAC125-20K4-20K4	* .625in	*.625in	18	9	36			Clearance Diam.:	1.465in		
09 Mar 88	MCAC125-20-20	* .625in	*.625in	18	9	36			Keyway Width:	.188/.190in.188/.190in		
09 Mar 88	MCAC125-15.93mm-15.93mm	*15.93mm	*15.93mm	18	9	36			Clearance Diam.:	1.465in		
	MCAC125-16mm-12	*16.00mm	.375in	18	9	36			Clearance Diam.:	1.465in		
26 Jul 90	MCAC125-16mm-12mm	*16.00mm	12.00mm	18	9	36			Clearance Diam.:	1.465in		
	MCAC125-16mmQ5-16K3	*16.00mm	.500in	18	9	36			Clearance Diam.:	1.465in		
07 Jul 89	MCAC125-16mm-16	*16.00mm	.500in	18	9	36			Keyway Width:	5.00/5.05mm.125/.127in		
									Clearance Diam.:	1.465in		

* NOTE: Bores greater than .512in Dia: bore depth is .520in

NOTICE: THE INFORMATION AND DATA CONTAINED HEREIN IS CONSIDERED PROPRIETARY TO HELICAL PRODUCTS COMPANY, AND SHALL REMAIN THE EXCLUSIVE PROPERTY OF HELICAL. THE HOLDER WILL ASSUME CUSTODY AND CONTROL THAT THIS DOCUMENT WILL NOT BE COPIED, REPRODUCED OR DISCLOSED WITHOUT THE EXPRESS WRITTEN CONSENT OF HELICAL. POSSESSION OF THIS DOCUMENT DOES NOT CONSTITUTE A GRANT TO MANUFACTURE ANY ITEMS.

ADDITIONAL BORE SIZES AVAILABLE UPON REQUEST

APPROVALS	DATE
DRAWN	
CHECKED	
PRODN	
ISSUED	5/11/2010 2:00:39 PM

HELICAL PRODUCTS CO.
P.O. BOX 1069 SANTA MARIA, CA. 93456 U.S.A
PHONE (805) 928-3851 FSCI3201

TITLE **HELICAL FLEXIBLE SHAFT COUPLING**

TABULATED BORE SIZES

DWG NO **MCAC125**

Printed 5/11/2010 2:01:08 PM by Larryvg

ADDITION DATE	PART NUMBER	BORE TOLERANCES		TORQUES (lbin)			TORSIONAL FLEXIBILITY deg/lbin	MASS MOMENT OF INERTIA	COMMENTS	A1	A2
		+.002in -.000in	or +.05mm -.00mm	Non-reversing	Shock or Reversing	Momentary					
		A1 Dia	A2 Dia								
07 Jul 89	MCAC125-16mm-20	*16.00mm	*.625in	18	9	36			Clearance Diam.:	1.465in	
22 Mar 90	MCAC125-16mm-16mm	*16.00mm	*16.00mm	18	9	36			Clearance Diam.:	1.465in	
22 Dec 16	MCAC125-14mm-11mm	14.00mm	11.00mm	18	9	36					

*** NOTE: Bores greater than .512in Dia: bore depth is .520in**

NOTICE: THE INFORMATION AND DATA CONTAINED HEREIN IS CONSIDERED PROPRIETARY TO HELICAL PRODUCTS COMPANY, AND SHALL REMAIN THE EXCLUSIVE PROPERTY OF HELICAL. THE HOLDER WILL ASSUME CUSTODY AND CONTROL THAT THIS DOCUMENT WILL NOT BE COPIED, REPRODUCED OR DISCLOSED WITHOUT THE EXPRESS WRITTEN CONSENT OF HELICAL. POSSESSION OF THIS DOCUMENT DOES NOT CONSTITUTE A GRANT TO MANUFACTURE ANY ITEMS.

ADDITIONAL BORE SIZES AVAILABLE UPON REQUEST

APPROVALS

DATE

DRAWN

CHECKED

PRODN

ISSUED

5/11/2010
2:00:39 PM

HELICAL PRODUCTS CO.

P.O. BOX 1069 SANTA MARIA, CA. 93456 U.S.A
PHONE (805) 928-3851 FSCI3201

TITLE **HELICAL FLEXIBLE SHAFT COUPLING**

TABULATED BORE SIZES

DWG NO

MCAC125

Printed 5/11/2010 2:01:08 PM by larry.g