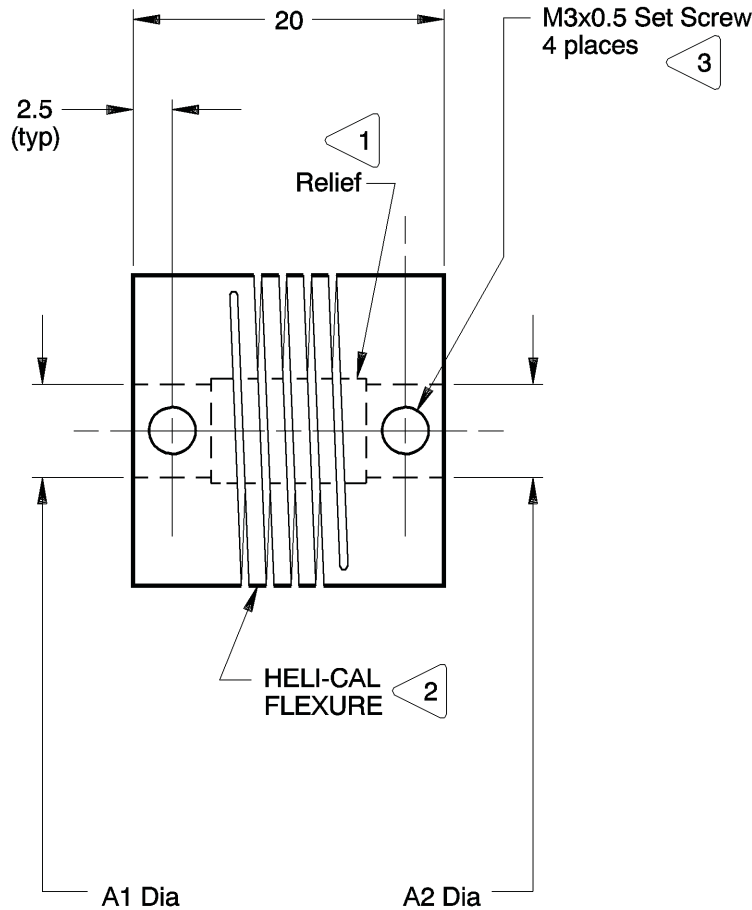


NOTES: See Tabulated Sheet

- 1 Relief permits component shafts to near butt.
- 2 Hubs and HELI-CAL FLEXURE are made from a single piece of material.
- 3 Set Screw attachment, hex. socket, ISO std., cup point set screw furnished: both hubs. Set Screw size based on bore size:  
 .090in thru .117in : M2x0.4  
 .118in thru .136in : M2.5x0.45  
 .137in thru .552in : M3x0.5
- 4 Backlash: None. No lubrication required.
- 5 Permitted axial motion from free length: ± .25mm.
- 6 RPM: Up to 10,000, depending upon application.
- 7 Working torque ratings are based upon continuous duty with noted misalignments applied separately and may be increased with improved alignment: See Tabulated Sheet
- 8 Permissible shaft misalignment:  
 Angular, up to 5 degrees.  
 Offset, up to .25mm.  
 (TIR, .50mm.)



W7 20-6mm-6mm SHOWN

NOTICE: THE INFORMATION AND DATA CONTAINED HEREIN IS CONSIDERED PROPRIETARY TO HELICAL PRODUCTS COMPANY, INC., AND SHALL REMAIN THE EXCLUSIVE PROPERTY OF HELICAL. THE HOLDER WILL ASSUME CUSTODY AND CONTROL THAT THIS DOCUMENT WILL NOT BE COPIED, REPRODUCED OR DISCLOSED WITHOUT THE EXPRESS WRITTEN CONSENT OF HELICAL. POSSESSION OF THIS DOCUMENT DOES NOT CONSTITUTE A GRANT TO MANUFACTURE ANY ITEMS.

DO NOT SCALE DRAWING.

9-14-98		Clerical format update/ No revision	BJM	MC
DATE	LTR	REVISION	CHK	

Unless otherwise noted dimensions in millimeters.  
 Tolerances are:  
 Decimals: X ± .5mm  
 X.X ± .25mm  
 X.XX ± .15mm  
 Angles: ± 2 degrees  
 Break sharp corners .25mm max.

APPROVALS	DATE
DRAWN MM	8-6-78
CHECKED GLB	8-6-78
PRODN APA	8-6-78
ISSUED	
WEIGHT	41g (calc)
SCALE 2/1	SIZE A

<b>HELICAL PRODUCTS CO.</b> P.O. BOX 1069 SANTA MARIA, CA. 93456 U.S.A PHONE (805) 928-3851 FSC13201		
		TITLE
MATERIAL	17-4PH CRES	HT
FINISH	Natural	
DWG NO	W7 20	

ADDITION DATE	PART NUMBER	BORE TOLERANCES		TORQUES ( Nm )			TORSIONAL FLEXIBILITY deg/Nm	MASS MOMENT OF INERTIA	COMMENTS	A1	A2	
		+.002in -.000in	or	+.05mm -.00mm	Non-reversing	Shock or Reversing						Momentary
		A1 Dia		A2 Dia								
02 May 88	W720-4mm-3mm	4.00mm		3.00mm	1.3	.65	2.6					
09 Mar 88	W720-4mm-4mm	4.00mm		4.00mm	1.3	.65	2.6					
	W720-6-5	.188in		.157in	1.3	.63	2.5					
	W720-6-4mm	.188in		4.00mm	1.3	.63	2.5					
09 Feb 07	W720-6-6	.188in		.188in	1.3	.63	2.5					
09 Mar 88	W720-5mm-4mm	5.00mm		4.00mm	1.3	.63	2.5					
09 Mar 88	W720-5mm-4.66mm	5.00mm		4.66mm	1.3	.63	2.5					
	W720-5mm-6	5.00mm		.188in	1.3	.63	2.5					
09 Mar 88	W720-5mm-5mm	5.00mm		5.00mm	1.3	.63	2.5					
18 Dec 08	W720-5.9mm-5.9mm	5.90mm		5.90mm	1.2	.58	2.3					
11 Oct 90	W720-6mm-3mm	6.00mm		3.00mm	1.2	.58	2.3					
09 Mar 88	W720-6mm-4mm	6.00mm		4.00mm	1.2	.58	2.3					
27 Jul 01	W720-6mm-4.5mm	6.00mm		4.50mm	1.2	.58	2.3					
09 Mar 88	W720-6mm-6	6.00mm		.188in	1.2	.58	2.3					
09 Mar 88	W720-6mm-5mm	6.00mm		5.00mm	1.2	.58	2.3					
09 Mar 88	W720-6mm-6mm	6.00mm		6.00mm	1.2	.58	2.3					
	W720-8-4M	.250in		.120in	1.2	.58	2.3					
	W720-8-5mm	.250in		5.00mm	1.2	.58	2.3					

**\* NOTE: Bores greater than 6.35mm Dia: bore depth is 5.00mm**

NOTICE: THE INFORMATION AND DATA CONTAINED HEREIN IS CONSIDERED PROPRIETARY TO HELICAL PRODUCTS COMPANY, INC., AND SHALL REMAIN THE EXCLUSIVE PROPERTY OF HELICAL. THE HOLDER WILL ASSUME CUSTODY AND CONTROL THAT THIS DOCUMENT WILL NOT BE COPIED, REPRODUCED OR DISCLOSED WITHOUT THE EXPRESS WRITTEN CONSENT OF HELICAL. POSSESSION OF THIS DOCUMENT DOES NOT CONSTITUTE A GRANT TO MANUFACTURE ANY ITEMS.

**ADDITIONAL BORE SIZES AVAILABLE UPON REQUEST**

APPROVALS	DATE	HELICAL PRODUCTS CO. P.O. BOX 1069 SANTA MARIA, CA. 93456 U.S.A PHONE (805) 928-3851 FSCI3201
DRAWN		
CHECKED		TITLE <b>HELICAL FLEXIBLE SHAFT COUPLING</b>
PRODN		<b>TABULATED BORE SIZES</b>
ISSUED	1/31/2011 8: 05: 35 AM	DWG NO <b>W720</b>

Printed 1/31/2011 8: 06: 37 AM by jarrvg

ADDITION DATE	PART NUMBER	BORE TOLERANCES		TORQUES ( Nm )			TORSIONAL FLEXIBILITY deg/Nm	MASS MOMENT OF INERTIA	COMMENTS	A1	A2
		+.002in -.000in	or +.05mm -.00mm	Non-reversing	Shock or Reversing	Momentary					
18 Dec 08	W720-8-5.9mm	.250in	5.90mm	1.2	.58	2.3					
02 May 88	W720-8-6mm	.250in	6.00mm	1.2	.58	2.3					
09 Mar 88	W720-8-8	.250in	.250in	1.2	.58	2.3					
09 Mar 88	W720-6.4mm-6.4mm	* 6.40mm	* 6.40mm	1.2	.58	2.3					
02 May 88	W720-7mm-6	* 7.00mm	.188in	1.2	.58	2.3					
09 Mar 88	W720-7mm-6mm	* 7.00mm	6.00mm	1.2	.58	2.3					
	W720-7mm-7mm	* 7.00mm	* 7.00mm	1.2	.58	2.3					
	W720-8mm-4M	* 8.00mm	.120in	1.2	.58	2.3					
04 Oct 90	W720-8mm-5mm	* 8.00mm	5.00mm	1.2	.58	2.3					
	W720-8mm-6mm	* 8.00mm	6.00mm	1.2	.58	2.3					
04 Oct 90	W720-8mm-8mm	* 8.00mm	* 8.00mm	1.2	.58	2.3					
	W720-9mm-5mm	* 9.00mm	5.00mm	1.2	.58	2.3					
23 Apr 01	W720-12-8mm	* .375in	* 8.00mm	1.2	.58	2.3					
	W720-12-9mm	* .375in	* 9.00mm	1.2	.58	2.3					
	W720-12-12	* .375in	* .375in	1.2	.58	2.3					
23 May 01	W720-10mm-4mm	*10.00mm	4.00mm	1.2	.58	2.3					
29 Nov 90	W720-10mm-6mm	*10.00mm	6.00mm	1.2	.58	2.3					
27 Jan 11	W720-10mm-7mm	*10.00mm	* 7.00mm	1.2	.58	2.3					
	W720-10mm-8mm	*10.00mm	* 8.00mm	1.2	.58	2.3					
23 Apr 01	W720-10mm-12	*10.00mm	* .375in	1.2	.58	2.3					
29 Nov 90	W720-10mm-10mm	*10.00mm	*10.00mm	1.2	.58	2.3					
19 Sep 08	W720-11mm-7mm	*11.00mm	* 7.00mm	1.1	.55	2.2					
24 Jan 05	W720-11mm-9mm	*11.00mm	* 9.00mm	1.2	.58	2.3					
29 Sep 03	W720-12mm-5mm	*12.00mm	5.00mm	1.2	.58	2.3					
23 Aug 00	W720-12mm-12mm	*12.00mm	*12.00mm	1.2	.58	2.3					
08 May 02	W720-14mm-6mm	*14.00mm	6.00mm	1.2	.58	2.3					
03 Mar 15	W720-12mm-6mm	*12.00mm	6.00mm	1.2	.58	2.3					
07 May 15	W720-12mm-10mm	*12.00mm	*10.00mm	1.2	.58	2.3					
14 OCT 16	W720-10mm-5mm	*10.00mm	5.00mm	1.2	.58	2.3					

\* NOTE: Bores greater than 6.35mm Dia: bore depth is 5.00mm

NOTICE: THE INFORMATION AND DATA CONTAINED HEREIN IS CONSIDERED PROPRIETARY TO HELICAL PRODUCTS COMPANY, INC., AND SHALL REMAIN THE EXCLUSIVE PROPERTY OF HELICAL. THE HOLDER WILL ASSUME CUSTODY AND CONTROL THAT THIS DOCUMENT WILL NOT BE COPIED, REPRODUCED OR DISCLOSED WITHOUT THE EXPRESS WRITTEN CONSENT OF HELICAL. POSSESSION OF THIS DOCUMENT DOES NOT CONSTITUTE A GRANT TO MANUFACTURE ANY ITEMS.

**ADDITIONAL BORE SIZES AVAILABLE UPON REQUEST**

APPROVALS	DATE	HELICAL PRODUCTS CO. P.O. BOX 1069 SANTA MARIA, CA. 93456 U.S.A PHONE (805) 928-3851 FSCI3201 <b>HELICAL FLEXIBLE SHAFT COUPLING</b> <b>TABULATED BORE SIZES</b> DWG NO <b>W720</b>
DRAWN		
CHECKED		
PRODN		
ISSUED	1/31/2011 8:05:35 AM	

Printed 1/31/2011 8:06:37 AM by larryvg