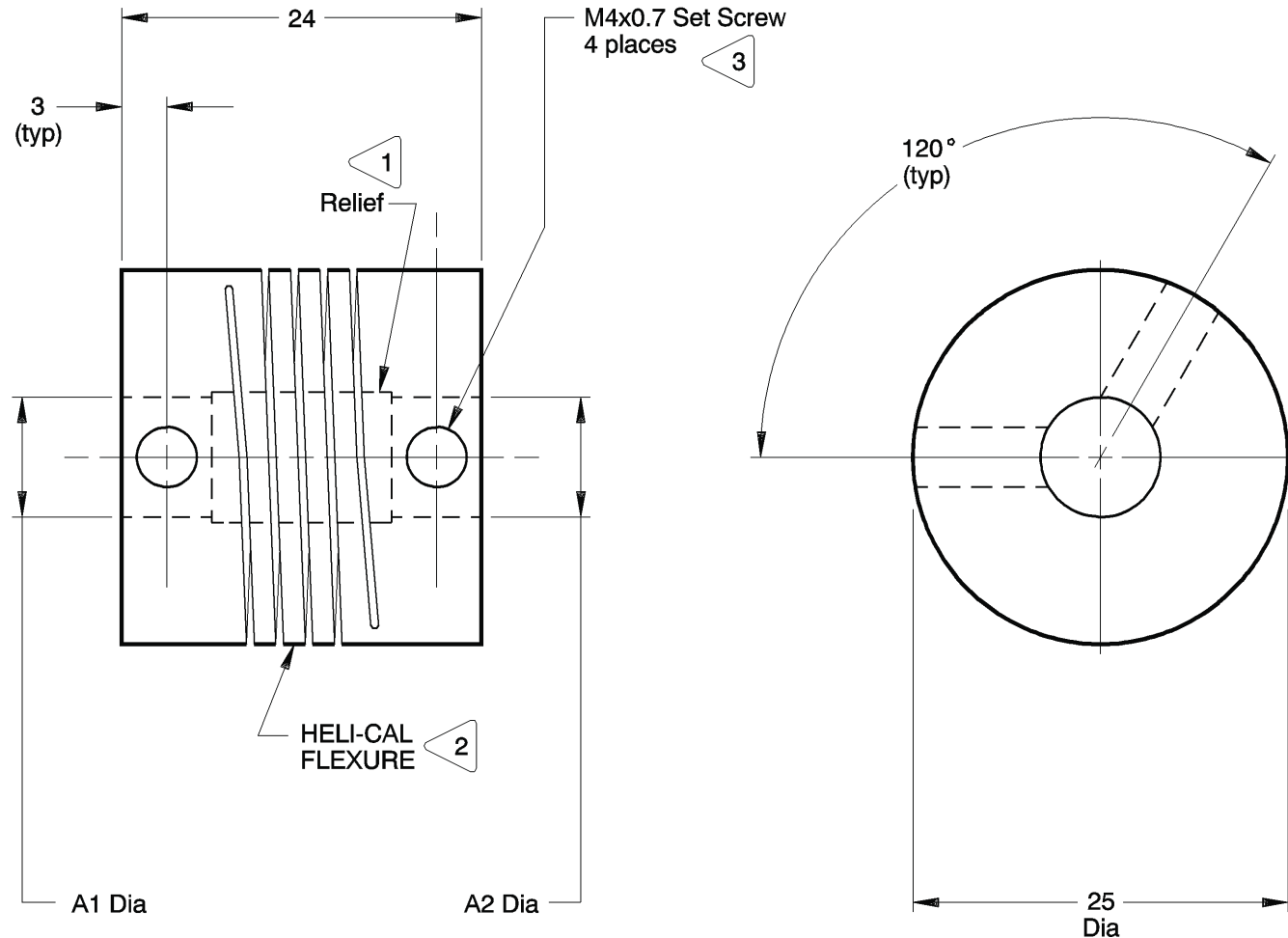


NOTES: See Tabulated Sheet

- 1 Relief permits component shafts to near butt.
- 2 Hubs and HELI-CAL FLEXURE are made from a single piece of material.
- 3 Set Screw attachment, hex. socket, ISO std., cup point set screw furnished: both hubs. Set Screw size based on bore size:
 .090in thru .117in : M2x0.4
 .118in thru .136in : M2.5x0.45
 .137in thru .195in : M3x0.5
 .196in thru .670in : M4x0.7
- 4 Backlash: None.
No lubrication required.
- 5 Permitted axial motion from free length: ± .25mm.
- 6 RPM: Up to 10,000, depending upon application.
- 7 Working torque ratings are based upon continuous duty with noted misalignments applied separately and may be increased with improved alignment:
See Tabulated Sheet
- 8 Permissible shaft misalignment:
Angular, up to 5 degrees.
Offset, up to .25mm.
(TIR, .50mm.)



W7 25-8mm-8mm SHOWN

NOTICE: THE INFORMATION AND DATA CONTAINED HEREIN IS CONSIDERED PROPRIETARY TO HELICAL PRODUCTS COMPANY, INC., AND SHALL REMAIN THE EXCLUSIVE PROPERTY OF HELICAL. THE HOLDER WILL ASSUME CUSTODY AND CONTROL THAT THIS DOCUMENT WILL NOT BE COPIED, REPRODUCED OR DISCLOSED WITHOUT THE EXPRESS WRITTEN CONSENT OF HELICAL. POSSESSION OF THIS DOCUMENT DOES NOT CONSTITUTE A GRANT TO MANUFACTURE ANY ITEMS.

DO NOT SCALE DRAWING.

Unless otherwise noted dimensions in millimeters.

Tolerances are:
 Decimals: X ± .5mm
 X.X ± .25mm
 X.XX ± .15mm
 Angles: ± 2 degrees
 Break sharp corners .25mm max.

APPROVALS	DATE	HELICAL PRODUCTS CO., INC. P.O. BOX 1069 SANTA MARIA, CA. 93456 U.S.A. PHONE (805) 928-3851 FSC13201	
DRAWN MM	8-10-78		
CHECKED GLB	8-10-78		
PRODN APA	8-10-78	TITLE	HELICAL FLEXIBLE SHAFT COUPLING
ISSUED		MATERIAL	17-4PH CRES HT
WEIGHT	78g (calc)	FINISH	Natural
SCALE 2/1	SIZE A	DWG NO	W7 25
DATE 9-14-98	LTR	REVISION	Clerical format update/ No revision BJM MC
		CHK	

ADDITION DATE	PART NUMBER	BORE TOLERANCES		TORQUES (Nm)			TORSIONAL FLEXIBILITY deg/Nm	MASS MOMENT OF INERTIA	COMMENTS	A1	A2	
		+0.002in -0.000in	or	+0.05mm -0.00mm	Non-reversing	Shock or Reversing						Momentary
09 Mar 88	W725-6mm-3.5mm	6.00mm	3.50mm	2.9	1.4	5.7						
09 Mar 88	W725-6mm-3.56mm	6.00mm	3.56mm	2.9	1.4	5.7						
29 Jul 05	W725-6mm-5mm	6.00mm	5.00mm	2.9	1.4	5.7						
09 Mar 88	W725-6mm-6mm	6.00mm	6.00mm	2.9	1.4	5.7						
03 May 88	W725-8-3mm	.250in	3.00mm	2.8	1.4	5.6						

*** NOTE: Bores greater than 10.00mm Dia: bore depth is 6.00mm**

NOTICE: THE INFORMATION AND DATA CONTAINED HEREIN IS CONSIDERED PROPRIETARY TO HELICAL PRODUCTS COMPANY, INC., AND SHALL REMAIN THE EXCLUSIVE PROPERTY OF HELICAL. THE HOLDER WILL ASSUME CUSTODY AND CONTROL THAT THIS DOCUMENT WILL NOT BE COPIED, REPRODUCED OR DISCLOSED WITHOUT THE EXPRESS WRITTEN CONSENT OF HELICAL. POSSESSION OF THIS DOCUMENT DOES NOT CONSTITUTE A GRANT TO MANUFACTURE ANY ITEMS.

ADDITIONAL BORE SIZES AVAILABLE UPON REQUEST

APPROVALS	DATE
DRAWN	
CHECKED	
PRODN	
ISSUED	1/10/2012 7: 43: 26 AM

HELICAL PRODUCTS CO. INC
P.O. BOX 1069 SANTA MARIA, CA. 93456 U.S.A
PHONE (805) 928-3851 FSCI3201

TITLE **HELICAL FLEXIBLE SHAFT COUPLING**

TABULATED BORE SIZES

DWG NO **W725**

Printed 1/10/2012 7: 44: 45 AM by jerryvg

ADDITION DATE	PART NUMBER	BORE TOLERANCES		TORQUES (Nm)			TORSIONAL FLEXIBILITY deg/Nm	MASS MOMENT OF INERTIA	COMMENTS	A1	A2
		+.002in -.000in	or +.05mm -.00mm	Non-reversing	Shock or Reversing	Momentary					
03 May 88	W725-8-4mm	.250in	4.00mm	2.8	1.4	5.6					
03 May 88	W725-8-5mm	.250in	5.00mm	2.8	1.4	5.6					
09 Mar 88	W725-8-6mm	.250in	6.00mm	2.8	1.4	5.6					
03 May 88	W725-8-8	.250in	.250in	2.8	1.4	5.6					
09 Mar 88	W725-7mm-4mm	7.00mm	4.00mm	2.8	1.4	5.5					
	W725-7mm-6mm	7.00mm	6.00mm	2.8	1.4	5.5					
09 Mar 88	W725-7mm-7mm	7.00mm	7.00mm	2.8	1.4	5.5					
09 May 00	W725-8mm-3mm	8.00mm	3.00mm	2.6	1.3	5.1					
	W725-8mm-6	8.00mm	.188in	2.6	1.3	5.1					
	W725-8mm-5mm	8.00mm	5.00mm	2.6	1.3	5.1					
09 Mar 88	W725-8mm-6mm	8.00mm	6.00mm	2.6	1.3	5.1					
03 May 88	W725-8mm-8	8.00mm	.250in	2.6	1.3	5.1					
	W725-8mm-6.8mm	8.00mm	6.80mm	2.6	1.3	5.1					
	W725-8mm-7mm	8.00mm	7.00mm	2.6	1.3	5.1					
10 Aug 07	W725-8mm-10	8.00mm	.313in	2.6	1.3	5.1					
09 Mar 88	W725-8mm-8mm	8.00mm	8.00mm	2.6	1.3	5.1					
21 Aug 90	W725-9mm-6mm	9.00mm	6.00mm	2.4	1.2	4.7					
03 May 88	W725-9mm-8mm	9.00mm	8.00mm	2.4	1.2	4.7					
09 Mar 88	W725-9mm-9mm	9.00mm	9.00mm	2.4	1.2	4.7					
	W725-12-6mm	.375in	6.00mm	2.3	1.1	4.5					
24 Jan 91	W725-12-8	.375in	.250in	2.3	1.1	4.5					
	W725-12-7mm	.375in	7.00mm	2.3	1.1	4.5					
	W725-12-8mm	.375in	8.00mm	2.3	1.1	4.5					
09 Mar 88	W725-12-9mm	.375in	9.00mm	2.3	1.1	4.5					
03 May 88	W725-12-12	.375in	.375in	2.3	1.1	4.5					
	W725-10mm-3mm	10.00mm	3.00mm	2.2	1.1	4.3					
09 Mar 88	W725-10mm-4mm	10.00mm	4.00mm	2.2	1.1	4.3					
	W725-10mm-6	10.00mm	.188in	2.2	1.1	4.3					
16 Jun 89	W725-10mm-5mm	10.00mm	5.00mm	2.2	1.1	4.3					
09 Mar 88	W725-10mm-6mm	10.00mm	6.00mm	2.2	1.1	4.3					
26 Mar 90	W725-10mm-8	10.00mm	.250in	2.2	1.1	4.3					

* NOTE: Bores greater than 10.00mm Dia: bore depth is 5.00mm

NOTICE: THE INFORMATION AND DATA CONTAINED HEREIN IS CONSIDERED PROPRIETARY TO HELICAL PRODUCTS COMPANY, INC., AND SHALL REMAIN THE EXCLUSIVE PROPERTY OF HELICAL. THE HOLDER WILL ASSUME CUSTODY AND CONTROL THAT THIS DOCUMENT WILL NOT BE COPIED, REPRODUCED OR DISCLOSED WITHOUT THE EXPRESS WRITTEN CONSENT OF HELICAL. POSSESSION OF THIS DOCUMENT DOES NOT CONSTITUTE A GRANT TO MANUFACTURE ANY ITEMS.

ADDITIONAL BORE SIZES AVAILABLE UPON REQUEST

APPROVALS	DATE	HELICAL PRODUCTS CO. INC P.O. BOX 1069 SANTA MARIA, CA. 93456 U.S.A PHONE (805) 928-3851 FSCI3201 HELICAL FLEXIBLE SHAFT COUPLING TABULATED BORE SIZES DWG NO W725
DRAWN		
CHECKED		
PRODN		
ISSUED	1/10/2012 7: 43: 26 AM	

Printed 1/10/2012 7: 44: 45 AM by larryvg

ADDITION DATE	PART NUMBER	BORE TOLERANCES		TORQUES (Nm)			TORSIONAL FLEXIBILITY deg/Nm	MASS MOMENT OF INERTIA	COMMENTS	A1	A2
		+.002in -.000in	or +.05mm -.00mm	Non-reversing	Shock or Reversing	Momentary					
	W725-10mm-7mm	10.00mm	7.00mm	2.2	1.1	4.3					
09 Mar 88	W725-10mm-8mm	10.00mm	8.00mm	2.2	1.1	4.3					
09 Mar 88	W725-10mm-9mm	10.00mm	9.00mm	2.2	1.1	4.3					
09 Mar 88	W725-10mm-12	10.00mm	.375in	2.2	1.1	4.3					
09 Mar 88	W725-10mm-10mm	10.00mm	10.00mm	2.2	1.1	4.3					
11 Jun 10	W725-11mm-10mm	*11.00mm	10.00mm	2.2	1.1	4.3					
23 May 01	W725-12mm-5mm	*12.00mm	5.00mm	2.2	1.1	4.3					
16 Feb 90	W725-12mm-6mm	*12.00mm	6.00mm	2.2	1.1	4.3					
	W725-12mm-8mm	*12.00mm	8.00mm	2.2	1.1	4.3					
21 Nov 00	W725-12mm-12	*12.00mm	.375in	2.2	1.1	4.3					
	W725-12mm-10mm	*12.00mm	10.00mm	2.2	1.1	4.3					
13 Mar 03	W725-12mm-12mm	*12.00mm	*12.00mm	2.2	1.1	4.3					
	W725-14mm-6mm	*14.00mm	6.00mm	2.2	1.1	4.3					
23 Jan 06	W725-14mm-8mm	*14.00mm	8.00mm	2.2	1.1	4.3					
10 Apr 08	W725-14mm-12	*14.00mm	.375in	2.2	1.1	4.3					
09 Jan 12	W725-14mm-12mm	*14.00mm	*12.00mm	2.2	1.1	4.3					
16 Jan 09	W725-15mm-8	*15.00mm	.250in	2.2	1.1	4.3					
03 May 88	W725-15mm-8mm	*15.00mm	8.00mm	2.2	1.1	4.3					
	W725-20-10mm	*.625in	10.00mm	2.2	1.1	4.3					
09 May 03	W725-16mm-16mm	*16.00mm	*16.00mm	2.2	1.1	4.3					
	W725-17mm-8mm	*17.00mm	8.00mm	2.2	1.1	4.3					
11 MAR 14	W725-20-8	*.625in	.250in	2.2	1.1	4.3					
15 JUL 14	W725-12mm-4mm	*12.00mm	4.00mm	2.2	1.1	4.3					
4 FEB 15	W725-8mm-7.5mm	8.00mm	7.50mm	2.6	1.3	5.1					

*** NOTE: Bores greater than 10.00mm Dia: bore depth is 5.00mm**

NOTICE: THE INFORMATION AND DATA CONTAINED HEREIN IS CONSIDERED PROPRIETARY TO HELICAL PRODUCTS COMPANY, INC., AND SHALL REMAIN THE EXCLUSIVE PROPERTY OF HELICAL. THE HOLDER WILL ASSUME CUSTODY AND CONTROL THAT THIS DOCUMENT WILL NOT BE COPIED, REPRODUCED OR DISCLOSED WITHOUT THE EXPRESS WRITTEN CONSENT OF HELICAL. POSSESSION OF THIS DOCUMENT DOES NOT CONSTITUTE A GRANT TO MANUFACTURE ANY ITEMS.

ADDITIONAL BORE SIZES AVAILABLE UPON REQUEST

APPROVALS	DATE	HELICAL PRODUCTS CO. INC P.O. BOX 1069 SANTA MARIA, CA. 93456 U.S.A PHONE (805) 928-3851 FSCI3201 HELICAL FLEXIBLE SHAFT COUPLING TABULATED BORE SIZES DWG NO W725
DRAWN		
CHECKED		
PRODN		
ISSUED	1/10/2012 7: 43: 26 AM	

Printed 1/10/2012 7: 44: 45 AM by Larryvg