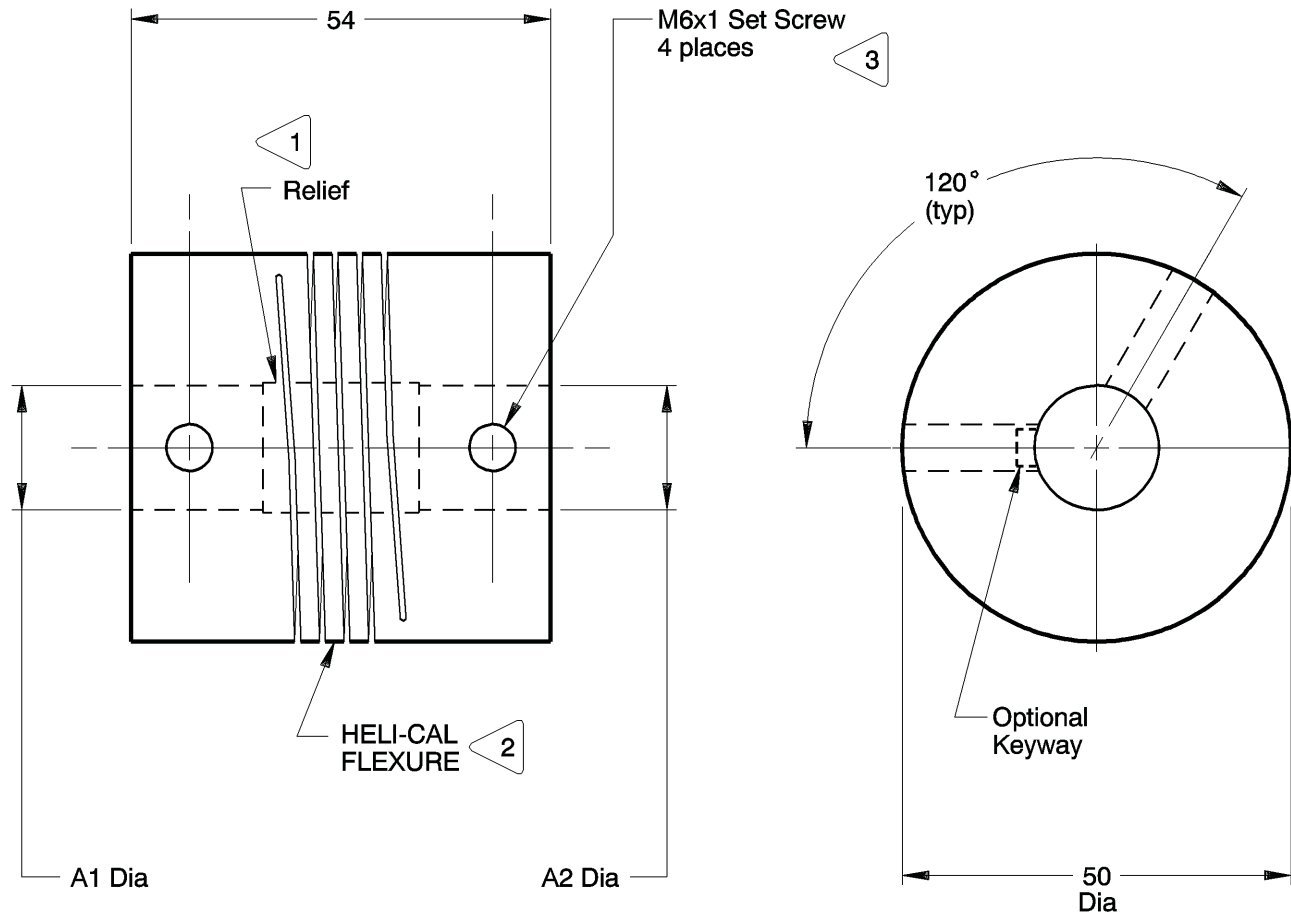


NOTES: See Tabulated Sheet

- 1 Relief permits component shafts to near butt.
- 2 Hubs and HELI-CAL FLEXURE are made from a single piece of material.
- 3 Set Screw attachment, hex. socket, ISO std., cup point set screw furnished: both hubs. Set Screw size based on bore size:
.236in thru .312in : M5x0.8
.313in thru 1.500in : M6x1
- 4 Backlash: None.
No lubrication required.
- 5 Permitted axial motion from free length: ± 0.25mm.
- 6 RPM: Up to 10,000, depending upon application.
- 7 Working torque ratings are based upon continuous duty with noted misalignments applied separately and may be increased with improved alignment:
See Tabulated Sheet
- 8 Permissible shaft misalignment:
Angular, up to 5 degrees.
Offset, up to 0.25mm.
(TIR, 0.50mm.)



W750-16mm-16mm SHOWN

NOTICE: THE INFORMATION AND DATA CONTAINED HEREIN IS CONSIDERED PROPRIETARY TO HELICAL PRODUCTS COMPANY, INC., AND SHALL REMAIN THE EXCLUSIVE PROPERTY OF HELICAL. THE HOLDER WILL ASSUME CUSTODY AND CONTROL THAT THIS DOCUMENT WILL NOT BE COPIED, REPRODUCED OR DISCLOSED WITHOUT THE EXPRESS WRITTEN CONSENT OF HELICAL. POSSESSION OF THIS DOCUMENT DOES NOT CONSTITUTE A GRANT TO MANUFACTURE ANY ITEMS.

DO NOT SCALE DRAWING.

Unless otherwise noted dimensions in millimeters.

Tolerances are:
Decimals: X ± .5mm
 X.X ± .25mm
 X.XX ± .15mm
Angles: ± 2 degrees
Break sharp corners .25mm max.

APPROVALS	DATE
DRAWN BJM	9-2-99
CHECKED MC	9-20-99
PRODN DH	9-28-99
ISSUED	
WEIGHT	710g (calc)
SCALE 1/1	SIZE A

<p>HELICAL PRODUCTS CO., INC. P.O. BOX 1069 SANTA MARIA, CA. 93456 U.S.A PHONE (805) 928-3851 FSC13201</p>		
		TITLE
MATERIAL	17-4PH CRES	HT
FINISH	Natural	
DWG NO	W750	
REV		

DATE	LTR	REVISION	CHK
------	-----	----------	-----

ADDITION DATE	PART NUMBER	BORE TOLERANCES		TORQUES (Nm)			TORSIONAL FLEXIBILITY deg/Nm	MASS MOMENT OF INERTIA	COMMENTS	A1	A2
		+0.002in -0.000in	or +0.05mm -0.00mm	Non-reversing	Shock or Reversing	Momentary					
		A1 Dia	A2 Dia								
16 Nov 05	W750-14mm-11mm	14.00mm	11.00mm	19	9	37					
16 Nov 05	W750-14mm-14mm	14.00mm	14.00mm	19	9	37					
21 Jul 06	W750-16mm-14mm	16.00mm	14.00mm	18	9	35					
25 Apr 02	W750-16mm-16mm	16.00mm	16.00mm	18	9	35					
28 Feb 05	W750-18mm-15mm	18.00mm	15.00mm	17	8	33					
25 Apr 02	W750-18mm-18mm	18.00mm	18.00mm	17	8	33					
03 May 11	W750-19mm-19mm	19.00mm	19.00mm	16	8	31					
21 Feb 12	W750-20mmQ6-10mmQ3	20.00mm	10.00mm	15	8	30		Keyway Width:	6.00/6.05mm	3.00/3.05mm	
07 Jul 08	W750-20mm-12mm	20.00mm	12.00mm	15	8	30					
01 Aug 08	W750-20mm-14mm	20.00mm	14.00mm	15	8	30					
03 Sep 03	W750-20mm-20mm	20.00mm	20.00mm	15	8	30					
05 Nov 08	W750-24mm-16mm	*24.00mm	16.00mm	15	8	30					
03 Mar 05	W750-46-24	*1.438in	.750in	15	8	30					

*** NOTE: Bores greater than 20.00mm Dia: bore depth is 6.90mm**

NOTICE: THE INFORMATION AND DATA CONTAINED HEREIN IS CONSIDERED PROPRIETARY TO HELICAL PRODUCTS COMPANY, INC., AND SHALL REMAIN THE EXCLUSIVE PROPERTY OF HELICAL. THE HOLDER WILL ASSUME CUSTODY AND CONTROL THAT THIS DOCUMENT WILL NOT BE COPIED, REPRODUCED OR DISCLOSED WITHOUT THE EXPRESS WRITTEN CONSENT OF HELICAL. POSSESSION OF THIS DOCUMENT DOES NOT CONSTITUTE A GRANT TO MANUFACTURE ANY ITEMS.

ADDITIONAL BORE SIZES AVAILABLE UPON REQUEST

APPROVALS	DATE	HELICAL PRODUCTS CO. INC P.O. BOX 1069 SANTA MARIA, CA. 93456 U.S.A PHONE (805) 928-3851 FSCI3201
DRAWN		
CHECKED		TITLE
PRODN		HELICAL FLEXIBLE SHAFT COUPLING
ISSUED	2/22/2012 8: 47: 08 AM	TABULATED BORE SIZES
		DWG NO W750

Printed 2/22/2012 8: 47: 27 AM by larry.g