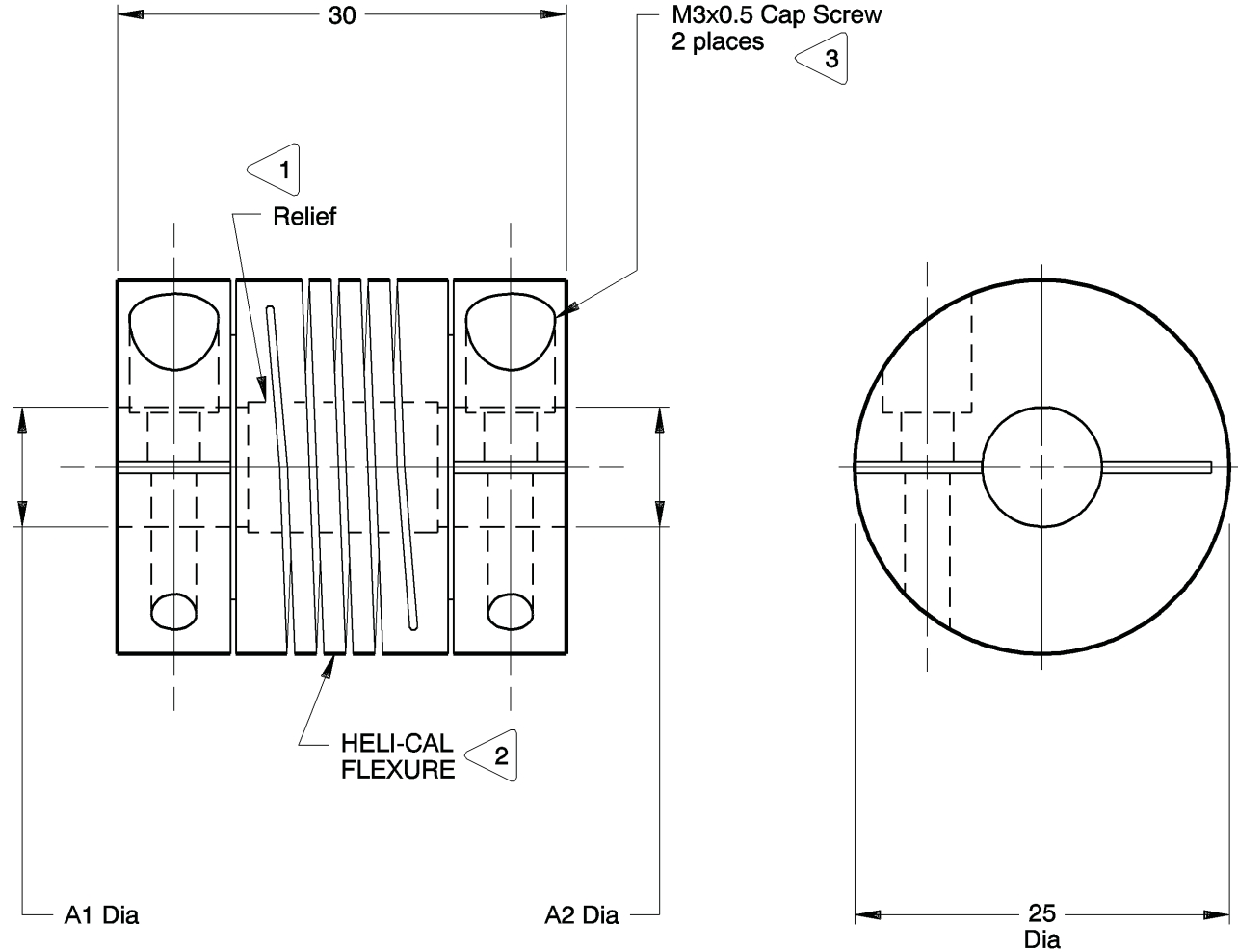


NOTES: See Tabulated Sheet

- 1 Relief permits component shafts to near butt.
- 2 Hubs and HELI-CAL FLEXURE are made from a single piece of material.
- 3 Integral Clamp attachment, hex. socket, ISO std., cap screw furnished: both hubs.
- 4 Backlash: None. No lubrication required.
- 5 Permitted axial motion from free length: $\pm 0.25\text{mm}$.
- 6 RPM: Up to 10,000, depending upon application.
- 7 Working torque ratings are based upon continuous duty with noted misalignments applied separately and may be increased with improved alignment:
See Tabulated Sheet
- 8 Permissible shaft misalignment:
Angular, up to 5 degrees.
Offset, up to 0.25mm.
(TIR, 0.50mm.)
- 9 Part will have a 28.46mm Clearance Diameter on both ends when any bore is over 10.88mm thru 14.56mm.



W7C25-8mm-8mm SHOWN

NOTICE: THE INFORMATION AND DATA CONTAINED HEREIN IS CONSIDERED PROPRIETARY TO HELICAL PRODUCTS COMPANY, INC., AND SHALL REMAIN THE EXCLUSIVE PROPERTY OF HELICAL. THE HOLDER WILL ASSUME CUSTODY AND CONTROL THAT THIS DOCUMENT WILL NOT BE COPIED, REPRODUCED OR DISCLOSED WITHOUT THE EXPRESS WRITTEN CONSENT OF HELICAL. POSSESSION OF THIS DOCUMENT DOES NOT CONSTITUTE A GRANT TO MANUFACTURE ANY ITEMS.

DO NOT SCALE DRAWING.

Unless otherwise noted dimensions in millimeters.

Tolerances are:
Decimals: X $\pm .5\text{mm}$
 X.X $\pm .25\text{mm}$
 X.XX $\pm .15\text{mm}$
Angles: ± 2 degrees
Break sharp corners .25mm max.

APPROVALS	DATE
DRAWN MM	8-9-78
CHECKED GLB	8-9-78
PRODN APA	8-9-78
ISSUED	
WEIGHT 97g (calc)	
SCALE 2/1	SIZE A

HELICAL PRODUCTS CO., INC. P.O. BOX 1069 SANTA MARIA, CA. 93456 U.S.A PHONE (805) 928-3851 FSC13201		
		TITLE
MATERIAL	17-4PH CRES	HT
FINISH	Natural	
DWG NO	W7C25	

9-14-98		Clerical format update/ No revision	BJM	MC
DATE	LTR	REVISION	CHK	

ADDITION DATE	PART NUMBER	BORE TOLERANCES		TORQUES (Nm)			TORSIONAL FLEXIBILITY deg/Nm	MASS MOMENT OF INERTIA	COMMENTS	A1	A2
		+.002in -.000in	or +.05mm -.00mm	Non-reversing	Shock or Reversing	Momentary					
		A1 Dia	A2 Dia								
09 Mar 88	W7C25-4mm-4mm	4.00mm	4.00mm	3.0	1.5	5.9					
09 Mar 88	W7C25-5mm-5mm	5.00mm	5.00mm	3.0	1.5	5.9					
	W7C25-6mm-4mm	6.00mm	4.00mm	2.9	1.4	5.7					
	W7C25-6mm-5mm	6.00mm	5.00mm	2.9	1.4	5.7					
04 Mar 11	W7C25-6mm-5.75mm	6.00mm	5.75mm	2.9	1.4	5.7					
09 Mar 88	W7C25-6mm-6mm	6.00mm	6.00mm	2.9	1.4	5.7					
	W7C25-6.3mm-6.3mm	6.30mm	6.30mm	2.8	1.4	5.6					
03 May 88	W7C25-8-6	.250in	.188in	2.8	1.4	5.6					
09 Mar 88	W7C25-8-5mm	.250in	5.00mm	2.8	1.4	5.6					
09 Mar 88	W7C25-8-6mm	.250in	6.00mm	2.8	1.4	5.6					
09 Mar 88	W7C25-8-8	.250in	.250in	2.8	1.4	5.6					
17 Aug 90	W7C25-8-8mm	.250in	8.00mm	2.6	1.3	5.1					
17 Aug 90	W7C25-8-10mm	.250in	10.00mm	2.2	1.1	4.3					
24 Feb 89	W7C25-8-12mm	.250in	*12.00mm	2.2	1.1	4.3		Clearance Diam.:	28.46mm		
03 May 88	W7C25-7mm-5mm	7.00mm	5.00mm	2.8	1.4	5.5					
09 Mar 88	W7C25-7mm-6mm	7.00mm	6.00mm	2.8	1.4	5.5					
09 Mar 88	W7C25-7mm-8	7.00mm	.250in	2.8	1.4	5.5					
09 Mar 88	W7C25-7mm-7mm	7.00mm	7.00mm	2.8	1.4	5.5					
09 Mar 88	W7C25-7mm-8mm	7.00mm	8.00mm	2.6	1.3	5.1					
23 Dec 08	W7C25-9-8	.282in	.250in	2.7	1.4	5.4					
06 Feb 90	W7C25-7.9mm-7.9mm	7.90mm	7.90mm	2.6	1.3	5.2					
22 May 00	W7C25-10-6	.313in	.188in	2.6	1.3	5.1					
	W7C25-10-6mm	.313in	6.00mm	2.6	1.3	5.1					
	W7C25-10-8	.313in	.250in	2.6	1.3	5.1					
03 May 89	W7C25-10-10	.313in	.313in	2.6	1.3	5.1					
03 May 88	W7C25-8mm-3mm	8.00mm	3.00mm	2.6	1.3	5.1					

* NOTE: Bores greater than 10.00mmDia: bore depth is 9.70mm

NOTICE: THE INFORMATION AND DATA CONTAINED HEREIN IS CONSIDERED PROPRIETARY TO HELICAL PRODUCTS COMPANY, INC., AND SHALL REMAIN THE EXCLUSIVE PROPERTY OF HELICAL. THE HOLDER WILL ASSUME CUSTODY AND CONTROL THAT THIS DOCUMENT WILL NOT BE COPIED, REPRODUCED OR DISCLOSED WITHOUT THE EXPRESS WRITTEN CONSENT OF HELICAL. POSSESSION OF THIS DOCUMENT DOES NOT CONSTITUTE A GRANT TO MANUFACTURE ANY ITEMS.

ADDITIONAL BORE SIZES AVAILABLE UPON REQUEST

APPROVALS	DATE	HELICAL PRODUCTS CO. INC P.O. BOX 1069 SANTA MARIA, CA. 93456 U.S.A PHONE (805) 928-3851 FSCI3201
DRAWN		
CHECKED		TITLE
PRODN		HELICAL FLEXIBLE SHAFT COUPLING
ISSUED	7/25/2011 7:27:14 AM	TABULATED BORE SIZES
		DWG NO W7C25

Printed 7/25/2011 7:29:26 AM by larryvg

ADDITION DATE	PART NUMBER	BORE TOLERANCES		TORQUES (Nm)			TORSIONAL FLEXIBILITY	MASS MOMENT OF INERTIA	COMMENTS	A1	A2	
		+.002in -.000in	or +.05mm -.00mm	Non-reversing	Shock or Reversing	Momentary						deg/Nm
11 Jul 03	W7C25-8mm-4mm	8.00mm	4.00mm	2.6	1.3	5.1						
	W7C25-8mm-6	8.00mm	.188in	2.6	1.3	5.1						
09 Mar 88	W7C25-8mm-5mm	8.00mm	5.00mm	2.6	1.3	5.1						
09 Mar 88	W7C25-8mm-6mm	8.00mm	6.00mm	2.6	1.3	5.1						
25 Oct 90	W7C25-8mm-8	8.00mm	.250in	2.6	1.3	5.1						
09 Mar 88	W7C25-8mm-7mm	8.00mm	7.00mm	2.6	1.3	5.1						
02 Jul 90	W7C25-8mm-10	8.00mm	.313in	2.6	1.3	5.1						
09 Mar 88	W7C25-8mm-8mm	8.00mm	8.00mm	2.6	1.3	5.1						
19 Apr 89	W7C25-11-6mm	.344in	6.00mm	2.4	1.2	4.8						
13 Aug 07	W7C25-9mm-6	9.00mm	.188in	2.4	1.2	4.7						
08 Jun 90	W7C25-9mm-5mm	9.00mm	5.00mm	2.4	1.2	4.7						
09 Mar 88	W7C25-9mm-6mm	9.00mm	6.00mm	2.4	1.2	4.7						
09 Mar 88	W7C25-9mm-8	9.00mm	.250in	2.4	1.2	4.7						
09 Mar 88	W7C25-9mm-7mm	9.00mm	7.00mm	2.4	1.2	4.7						
03 May 88	W7C25-9mm-8mm	9.00mm	8.00mm	2.4	1.2	4.7						
09 Mar 88	W7C25-9mm-9mm	9.00mm	9.00mm	2.4	1.2	4.7						
	W7C25-9.25mm-9.25mm	9.25mm	9.25mm	2.3	1.2	4.6						
31 Jul 01	W7C25-9.5mm-6mm	9.50mm	6.00mm	2.3	1.1	4.5						
19 Mar 10	W7C25-9.5mm-8mm	9.50mm	8.00mm	2.3	1.1	4.5						
	W7C25-9.5mm-9.5mm	9.50mm	9.50mm	2.3	1.1	4.5						
05 May 00	W7C25-12-3mm	.375in	3.00mm	2.3	1.1	4.5						
	W7C25-12-6	.375in	.188in	2.3	1.1	4.5						
09 Mar 88	W7C25-12-5mm	.375in	5.00mm	2.3	1.1	4.5						
09 Mar 88	W7C25-12-6mm	.375in	6.00mm	2.3	1.1	4.5						
09 Mar 88	W7C25-12-8	.375in	.250in	2.3	1.1	4.5						
22 Oct 90	W7C25-12-7mm	.375in	7.00mm	2.3	1.1	4.5						
03 May 89	W7C25-12-10	.375in	.313in	2.3	1.1	4.5						
09 Mar 88	W7C25-12-8mm	.375in	8.00mm	2.3	1.1	4.5						
09 Mar 88	W7C25-12-9mm	.375in	9.00mm	2.3	1.1	4.5						
09 Mar 88	W7C25-12-12	.375in	.375in	2.3	1.1	4.5						
09 Mar 88	W7C25-12-10mm	.375in	10.00mm	2.2	1.1	4.3						

* NOTE: Bores greater than 10.00mm Dia: bore depth is 9.70mm

NOTICE: THE INFORMATION AND DATA CONTAINED HEREIN IS CONSIDERED PROPRIETARY TO HELICAL PRODUCTS COMPANY, INC., AND SHALL REMAIN THE EXCLUSIVE PROPERTY OF HELICAL. THE HOLDER WILL ASSUME CUSTODY AND CONTROL THAT THIS DOCUMENT WILL NOT BE COPIED, REPRODUCED OR DISCLOSED WITHOUT THE EXPRESS WRITTEN CONSENT OF HELICAL. POSSESSION OF THIS DOCUMENT DOES NOT CONSTITUTE A GRANT TO MANUFACTURE ANY ITEMS.

ADDITIONAL BORE SIZES AVAILABLE UPON REQUEST

APPROVALS	DATE	HELICAL PRODUCTS CO. INC P.O. BOX 1069 SANTA MARIA, CA. 93456 U.S.A PHONE (805) 928-3851 FSCI3201
DRAWN		
CHECKED		TITLE
PRODN		HELICAL FLEXIBLE SHAFT COUPLING
ISSUED	7/25/2011 7: 27: 14 AM	TABULATED BORE SIZES
		DWG NO W7C25

ADDITION DATE	PART NUMBER	BORE TOLERANCES		TORQUES (Nm)			TORSIONAL FLEXIBILITY	MASS MOMENT OF INERTIA	COMMENTS	A1	A2	
		+.002in -.000in	or +.05mm -.00mm	Non-reversing	Shock or Reversing	Momentary						deg/Nm
09 Mar 88	W7C25-9.8mm-9.8mm	9.80mm	9.80mm	2.2	1.1	4.4						
	W7C25-10mm-5mm	10.00mm	5.00mm	2.2	1.1	4.3						
09 Mar 88	W7C25-10mm-6mm	10.00mm	6.00mm	2.2	1.1	4.3						
09 Mar 88	W7C25-10mm-8	10.00mm	.250in	2.2	1.1	4.3						
09 Mar 88	W7C25-10mm-6.75mm	10.00mm	6.75mm	2.2	1.1	4.3						
09 Mar 88	W7C25-10mm-7mm	10.00mm	7.00mm	2.2	1.1	4.3						
09 Mar 88	W7C25-10mm-10	10.00mm	.313in	2.2	1.1	4.3						
09 Mar 88	W7C25-10mm-8mm	10.00mm	8.00mm	2.2	1.1	4.3						
09 Mar 88	W7C25-10mm-9mm	10.00mm	9.00mm	2.2	1.1	4.3						
09 Mar 88	W7C25-10mm-9.5mm	10.00mm	9.50mm	2.2	1.1	4.3						
09 Mar 88	W7C25-10mm-12	10.00mm	.375in	2.2	1.1	4.3						
09 Mar 88	W7C25-10mm-10mm	10.00mm	10.00mm	2.2	1.1	4.3						
	W7C25-10mm-12mm	10.00mm	*12.00mm	2.2	1.1	4.3		Clearance Diam.:		28.46mm		
	W7C25-11mm-6mm	*11.00mm	6.00mm	2.2	1.1	4.3		Clearance Diam.:		28.46mm		
26 Feb 01	W7C25-11mm-8	*11.00mm	.250in	2.2	1.1	4.3		Clearance Diam.:		28.46mm		
03 May 88	W7C25-11mm-7mm	*11.00mm	7.00mm	2.2	1.1	4.3		Clearance Diam.:		28.46mm		
29 Nov 01	W7C25-11mm-8mm	*11.00mm	8.00mm	2.2	1.1	4.3		Clearance Diam.:		28.46mm		
	W7C25-11mm-10mm	*11.00mm	10.00mm	2.2	1.1	4.3		Clearance Diam.:		28.46mm		
	W7C25-11mm-11mm	*11.00mm	*11.00mm	2.2	1.1	4.3		Clearance Diam.:		28.46mm		
07 Oct 04	W7C25-11.09mm-8mm	*11.09mm	8.00mm	2.2	1.1	4.3		Clearance Diam.:		28.46mm		
	W7C25-12mm-5mm	*12.00mm	5.00mm	2.2	1.1	4.3		Clearance Diam.:		28.46mm		
03 May 88	W7C25-12mm-6mm	*12.00mm	6.00mm	2.2	1.1	4.3		Clearance Diam.:		28.46mm		
	W7C25-12mm-8	*12.00mm	.250in	2.2	1.1	4.3		Clearance Diam.:		28.46mm		
	W7C25-12mm-8mm	*12.00mm	8.00mm	2.2	1.1	4.3		Clearance Diam.:		28.46mm		
	W7C25-12mm-12	*12.00mm	.375in	2.2	1.1	4.3		Clearance Diam.:		28.46mm		
09 Mar 88	W7C25-12mm-10mm	*12.00mm	10.00mm	2.2	1.1	4.3		Clearance Diam.:		28.46mm		
09 Mar 88	W7C25-12mm-12mm	*12.00mm	*12.00mm	2.2	1.1	4.3		Clearance Diam.:		28.46mm		
31 Jan 01	W7C25-16-6mm	*.500in	6.00mm	2.2	1.1	4.3		Clearance Diam.:		28.46mm		
09 Mar 88	W7C25-16-12	*.500in	.375in	2.2	1.1	4.3		Clearance Diam.:		28.46mm		
04 Feb 08	W7C25-16-10mm	*.500in	10.00mm	2.2	1.1	4.3		Clearance Diam.:		28.46mm		
22 Jul 11	W7C25-13mm-5mm	*13.00mm	5.00mm	2.2	1.1	4.3		Clearance Diam.:		28.46mm		

* NOTE: Bores greater than 10.00mm Dia: bore depth is 9.70mm

NOTICE: THE INFORMATION AND DATA CONTAINED HEREIN IS CONSIDERED PROPRIETARY TO HELICAL PRODUCTS COMPANY, INC., AND SHALL REMAIN THE EXCLUSIVE PROPERTY OF HELICAL. THE HOLDER WILL ASSUME CUSTODY AND CONTROL THAT THIS DOCUMENT WILL NOT BE COPIED, REPRODUCED OR DISCLOSED WITHOUT THE EXPRESS WRITTEN CONSENT OF HELICAL. POSSESSION OF THIS DOCUMENT DOES NOT CONSTITUTE A GRANT TO MANUFACTURE ANY ITEMS.

ADDITIONAL BORE SIZES AVAILABLE UPON REQUEST

APPROVALS	DATE	HELICAL PRODUCTS CO. INC	
DRAWN		P.O. BOX 1069 SANTA MARIA, CA. 93456 U.S.A PHONE (805) 928-3851 FSCI3201	
CHECKED		TITLE HELICAL FLEXIBLE SHAFT COUPLING	
PRODN		TABULATED BORE SIZES	
ISSUED	7/25/2011 7:27:14 AM	DWG NO	W7C25

Printed 7/25/2011 7:29:26 AM by larryvg

ADDITION DATE	PART NUMBER	BORE TOLERANCES		TORQUES (Nm)			TORSIONAL FLEXIBILITY deg/Nm	MASS MOMENT OF INERTIA	COMMENTS	A1	A2	
		+0.002in -0.000in	or	+0.05mm -0.00mm	Non-reversing	Shock or Reversing						Momentary
22 Jul 11	W7C25-13mm-8	*13.00mm		.250in	2.2	1.1	4.3		Clearance Diam.:	28.46mm		
	W7C25-13mm-12	*13.00mm		.375in	2.2	1.1	4.3		Clearance Diam.:	28.46mm		
	W7C25-14mm-5mm	*14.00mm		5.00mm	2.2	1.1	4.3		Clearance Diam.:	28.46mm		
	W7C25-14mm-6mm	*14.00mm		6.00mm	2.2	1.1	4.3		Clearance Diam.:	28.46mm		
	W7C25-14mm-7mm	*14.00mm		7.00mm	2.2	1.1	4.3		Clearance Diam.:	28.46mm		
	W7C25-14mm-10	*14.00mm		.313in	2.2	1.1	4.3		Clearance Diam.:	28.46mm		
31 Oct 03	W7C25-14mm-8mm	*14.00mm		8.00mm	2.2	1.1	4.3		Clearance Diam.:	28.46mm		
	W7C25-14mm-10mm	*14.00mm		10.00mm	2.2	1.1	4.3		Clearance Diam.:	28.46mm		
	W7C25-14mm-16	*14.00mm	*	.500in	2.2	1.1	4.3		Clearance Diam.:	28.46mm		
	W7C25-14mm-14mm	*14.00mm	*	14.00mm	2.2	1.1	4.3		Clearance Diam.:	28.46mm		

* NOTE: Bores greater than 10.00mm Dia: bore depth is 9.70mm

NOTICE: THE INFORMATION AND DATA CONTAINED HEREIN IS CONSIDERED PROPRIETARY TO HELICAL PRODUCTS COMPANY, INC., AND SHALL REMAIN THE EXCLUSIVE PROPERTY OF HELICAL. THE HOLDER WILL ASSUME CUSTODY AND CONTROL THAT THIS DOCUMENT WILL NOT BE COPIED, REPRODUCED OR DISCLOSED WITHOUT THE EXPRESS WRITTEN CONSENT OF HELICAL. POSSESSION OF THIS DOCUMENT DOES NOT CONSTITUTE A GRANT TO MANUFACTURE ANY ITEMS.

ADDITIONAL BORE SIZES AVAILABLE UPON REQUEST

APPROVALS	DATE	HELICAL PRODUCTS CO. INC P.O. BOX 1069 SANTA MARIA, CA. 93456 U.S.A PHONE (805) 928-3851 FSCI3201
DRAWN		
CHECKED		TITLE HELICAL FLEXIBLE SHAFT COUPLING
PRODN		TABULATED BORE SIZES
ISSUED	7/25/2011 7:27:14 AM	DWG NO W7C25

Printed 7/25/2011 7:29:26 AM by Larryvg