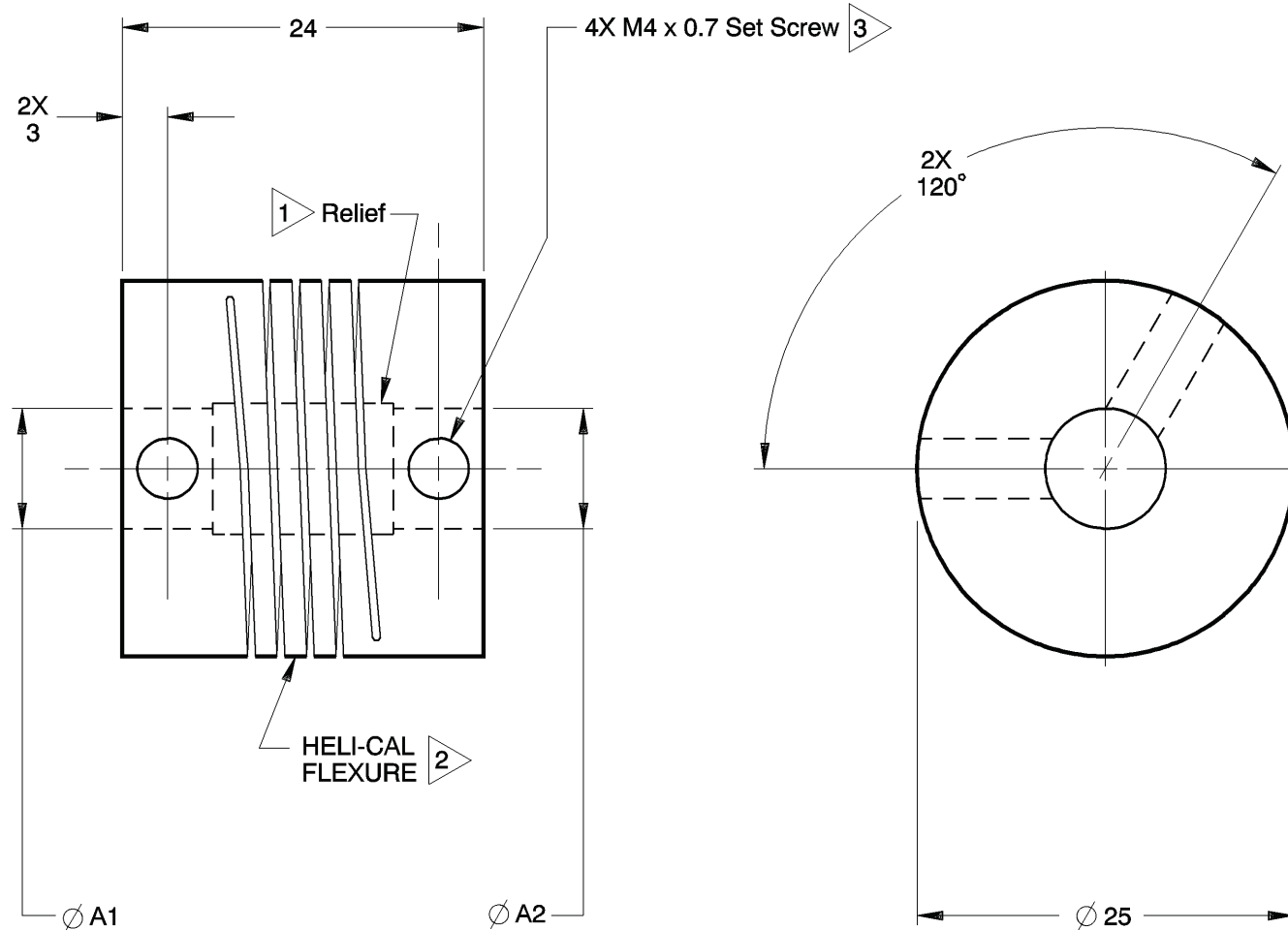


NOTES: See Tabulated Sheet

- 1 Relief permits component shafts to near butt.
- 2 Hubs and HELI-CAL FLEXURE are made from a single piece of material.
- 3 Set Screw attachment, hex. socket, ISO std., cup point set screw furnished: both hubs. Set Screw size based on bore size:
 .090in thru .117in : M2x0.4
 .118in thru .136in : M2.5x0.45
 .137in thru .195in : M3x0.5
 .196in thru .670in : M4x0.7
- 4 Backlash: None. No lubrication required.
- 5 Permitted axial motion from free length: ± .25mm
- 6 RPM: Up to 10,000, depending upon application.
- 7 Working torque ratings are based upon continuous duty with noted misalignments applied separately and may be increased with improved alignment: See Tabulated Sheet
- 8 Permissible shaft misalignment:
 Angular, up to 5 degrees.
 Offset, up to .25mm (TIR, .50mm)



WA 25-8mm-8mm SHOWN

NOTICE: THE INFORMATION AND DATA CONTAINED HEREIN IS CONSIDERED PROPRIETARY TO HELICAL PRODUCTS COMPANY, INC., AND SHALL REMAIN THE EXCLUSIVE PROPERTY OF HELICAL. THE HOLDER WILL ASSUME CUSTODY AND CONTROL THAT THIS DOCUMENT WILL NOT BE COPIED, REPRODUCED OR DISCLOSED WITHOUT THE EXPRESS WRITTEN CONSENT OF HELICAL. POSSESSION OF THIS DOCUMENT DOES NOT CONSTITUTE A GRANT TO MANUFACTURE ANY ITEMS.

DO NOT SCALE DRAWING.

01-25-10	---	Finish was Chromic Acid Anodize; Updated GD&T	JAJ	HG
9-14-98		Clerical format update/ No revision	BJM	MC
DATE	LTR	REVISION	CHK	

Unless otherwise noted dimensions in millimeters.

Tolerances are:
 Decimals: X ± .5mm
 X.X ± .25mm
 X.XX ± .15mm
 Angles: ± 2 degrees
 Break sharp corners .25mm max.

APPROVALS	DATE
DRAWN MM	8-8-78
CHECKED GLB	8-8-78
PRODN APA	8-8-78
ISSUED	
WEIGHT	28g (calc)
SCALE 2/1	SIZE A

HELICAL PRODUCTS CO. P.O. BOX 1069 SANTA MARIA, CA. 93456 U.S.A PHONE (805) 928-3851 FSC13201	
MATERIAL	7075-T6 Aluminum Alloy
FINISH	Anodize per HPS1000
DWG NO	WA 25

ADDITION DATE	PART NUMBER	BORE TOLERANCES		TORQUES (Nm)			TORSIONAL FLEXIBILITY deg/Nm	MASS MOMENT OF INERTIA	COMMENTS	A1	A2
		+.002in -.000in	or +.05mm -.00mm	Non-reversing	Shock or Reversing	Momentary					
		A1 Dia	A2 Dia								
03 Nov 88	WA25-6mm-2.29mm	6.00mm	2.29mm	1.5	.73	2.9					
09 Mar 88	WA25-6mm-4mm	6.00mm	4.00mm	1.5	.73	2.9					
09 Mar 88	WA25-6mm-5mm	6.00mm	5.00mm	1.5	.73	2.9					
09 Mar 88	WA25-6mm-6mm	6.00mm	6.00mm	1.5	.73	2.9					
	WA25-8-4	.250in	.125in	1.5	.73	2.9					
23 Apr 04	WA25-8-4mm	.250in	4.00mm	1.5	.73	2.9					
09 Dec 04	WA25-8-6	.250in	.188in	1.5	.73	2.9					
	WA25-8-5mm	.250in	5.00mm	1.5	.73	2.9					
09 Mar 88	WA25-8-6mm	.250in	6.00mm	1.5	.73	2.9					
09 Mar 88	WA25-8-8	.250in	.250in	1.5	.73	2.9					
	WA25-6.4mm-6	6.40mm	.188in	1.5	.73	2.9					
	WA25-6.4mm-6.4mm	6.40mm	6.40mm	1.5	.73	2.9					
03 Jul 89	WA25-7mm-6mm	7.00mm	6.00mm	1.4	.70	2.8					
08 Sep 89	WA25-7mm-8	7.00mm	.250in	1.4	.70	2.8					
09 Mar 88	WA25-7mm-7mm	7.00mm	7.00mm	1.4	.70	2.8					
20 Nov 03	WA25-7.5mm-7.5mm	7.50mm	7.50mm	1.4	.70	2.8					
25 May 90	WA25-8mm-4M	8.00mm	.120in	1.3	.65	2.6					
09 Mar 88	WA25-8mm-4mm	8.00mm	4.00mm	1.3	.65	2.6					
03 May 88	WA25-8mm-5mm	8.00mm	5.00mm	1.3	.65	2.6					
09 Mar 88	WA25-8mm-6mm	8.00mm	6.00mm	1.3	.65	2.6					
09 Mar 88	WA25-8mm-8	8.00mm	.250in	1.3	.65	2.6					
28 Feb 00	WA25-8mm-7mm	8.00mm	7.00mm	1.3	.65	2.6					

*** NOTE: Bores greater than 10.00mm Dia: bore depth is 5.00mm**

NOTICE: THE INFORMATION AND DATA CONTAINED HEREIN IS CONSIDERED PROPRIETARY TO HELICAL PRODUCTS COMPANY, INC., AND SHALL REMAIN THE EXCLUSIVE PROPERTY OF HELICAL. THE HOLDER WILL ASSUME CUSTODY AND CONTROL THAT THIS DOCUMENT WILL NOT BE COPIED, REPRODUCED OR DISCLOSED WITHOUT THE EXPRESS WRITTEN CONSENT OF HELICAL. POSSESSION OF THIS DOCUMENT DOES NOT CONSTITUTE A GRANT TO MANUFACTURE ANY ITEMS.

ADDITIONAL BORE SIZES AVAILABLE UPON REQUEST

APPROVALS	DATE	HELICAL PRODUCTS CO. P.O. BOX 1069 SANTA MARIA, CA. 93456 U.S.A PHONE (805) 928-3851 FSCI3201 TITLE HELICAL FLEXIBLE SHAFT COUPLING TABULATED BORE SIZES DWG NO WA25
DRAWN		
CHECKED		
PRODN		
ISSUED	10/10/2011 11:50:45 AM	

Printed 10/10/2011 11:52:27 AM by larryvg

ADDITION DATE	PART NUMBER	BORE TOLERANCES		TORQUES (Nm)			TORSIONAL FLEXIBILITY	MASS MOMENT OF INERTIA	COMMENTS	A1	A2	
		+.002in -.000in	or +.05mm -.00mm	Non-reversing	Shock or Reversing	Momentary						deg/Nm
03 Mar 03	WA25-8mm-10	8.00mm	.313in	1.3	.65	2.6						
09 Mar 88	WA25-8mm-8mm	8.00mm	8.00mm	1.3	.65	2.6						
09 Mar 88	WA25-9mm-6mm	9.00mm	6.00mm	1.2	.60	2.4						
	WA25-9mm-8	9.00mm	.250in	1.2	.60	2.4						
	WA25-9mm-7.4mm	9.00mm	7.40mm	1.2	.60	2.4						
19 Nov 01	WA25-9mm-8mm	9.00mm	8.00mm	1.2	.60	2.4						
09 Mar 88	WA25-9mm-9mm	9.00mm	9.00mm	1.2	.60	2.4						
26 Oct 05	WA25-9.5mm-9.5mm	9.50mm	9.50mm	1.2	.60	2.4						
09 Mar 88	WA25-12-5mm	.375in	5.00mm	1.2	.60	2.4						
09 Mar 88	WA25-12-6mm	.375in	6.00mm	1.2	.60	2.4						
09 Mar 88	WA25-12-8	.375in	.250in	1.2	.60	2.4						
03 May 88	WA25-12-8mm	.375in	8.00mm	1.2	.60	2.4						
09 Mar 88	WA25-12-12	.375in	.375in	1.2	.60	2.4						
09 Mar 88	WA25-10mm-3mm	10.00mm	3.00mm	1.1	.55	2.2						
09 Mar 88	WA25-10mm-4	10.00mm	.125in	1.1	.55	2.2						
09 Mar 88	WA25-10mm-6	10.00mm	.188in	1.1	.55	2.2						
03 May 88	WA25-10mm-5mm	10.00mm	5.00mm	1.1	.55	2.2						
09 Mar 88	WA25-10mm-6mm	10.00mm	6.00mm	1.1	.55	2.2						
09 Mar 88	WA25-10mm-8	10.00mm	.250in	1.1	.55	2.2						
	WA25-10mm-6.5mm	10.00mm	6.50mm	1.1	.55	2.2						
08 Mar 89	WA25-10mm-7mm	10.00mm	7.00mm	1.1	.55	2.2						
13 Apr 10	WA25-10mm-10	10.00mm	.313in	1.1	.55	2.2						
09 Mar 88	WA25-10mm-8mm	10.00mm	8.00mm	1.1	.55	2.2						
12 Sep 89	WA25-10mm-9mm	10.00mm	9.00mm	1.1	.55	2.2						
09 Mar 88	WA25-10mm-12	10.00mm	.375in	1.1	.55	2.2						
09 Mar 88	WA25-10mm-10mm	10.00mm	10.00mm	1.1	.55	2.2						
25 Aug 06	WA25-11mm-6mm	*11.00mm	6.00mm	1.1	.55	2.2						
03 May 88	WA25-11mm-8mm	*11.00mm	8.00mm	1.1	.55	2.2						
	WA25-11mm-10mm	*11.00mm	10.00mm	1.1	.55	2.2						
09 Mar 88	WA25-11mm-11mm	*11.00mm	*11.00mm	1.1	.55	2.2						
13 Apr 00	WA25-12mm-5mm	*12.00mm	5.00mm	1.1	.55	2.2						

* NOTE: Bores greater than 10.00mm Dia: bore depth is 5.00mm

NOTICE: THE INFORMATION AND DATA CONTAINED HEREIN IS CONSIDERED PROPRIETARY TO HELICAL PRODUCTS COMPANY, INC., AND SHALL REMAIN THE EXCLUSIVE PROPERTY OF HELICAL. THE HOLDER WILL ASSUME CUSTODY AND CONTROL THAT THIS DOCUMENT WILL NOT BE COPIED, REPRODUCED OR DISCLOSED WITHOUT THE EXPRESS WRITTEN CONSENT OF HELICAL. POSSESSION OF THIS DOCUMENT DOES NOT CONSTITUTE A GRANT TO MANUFACTURE ANY ITEMS.

ADDITIONAL BORE SIZES AVAILABLE UPON REQUEST

APPROVALS	DATE
DRAWN	
CHECKED	
PRODN	
ISSUED	10/10/2011 11:50:45 AM

HELICAL PRODUCTS CO.	
P.O. BOX 1069 SANTA MARIA, CA. 93456 U.S.A PHONE (805) 928-3851 FSCI3201	
TITLE	HELICAL FLEXIBLE SHAFT COUPLING
TABULATED BORE SIZES	
DWG NO	WA25

Printed 10/10/2011 11:52:27 AM by lshrvy

ADDITION DATE	PART NUMBER	BORE TOLERANCES		TORQUES (Nm)			TORSIONAL FLEXIBILITY deg/Nm	MASS MOMENT OF INERTIA	COMMENTS	A1	A2
		+.002in -.000in	or +.05mm -.00mm	Non-reversing	Shock or Reversing	Momentary					
28 Jul 03	WA25-12mm-6mm	*12.00mm	6.00mm	1.1	.55	2.2					
	WA25-12mm-8mm	*12.00mm	8.00mm	1.1	.55	2.2					
	WA25-12mm-10mm	*12.00mm	10.00mm	1.1	.55	2.2					
	WA25-12mm-12mm	*12.00mm	*12.00mm	1.1	.55	2.2					
03 May 88	WA25-16-10mm	*.500in	10.00mm	1.1	.55	2.2					
10 Oct 11	WA25-16-16	*.500in	*.500in	1.1	.55	2.2					
03 May 88	WA25-14mm-6mm	*14.00mm	6.00mm	1.1	.55	2.2					
	WA25-14mm-8	*14.00mm	.250in	1.1	.55	2.2					
03 May 88	WA25-14mm-7mm	*14.00mm	7.00mm	1.1	.55	2.2					
03 May 88	WA25-14mm-8mm	*14.00mm	8.00mm	1.1	.55	2.2					
	WA25-14mm-10mm	*14.00mm	10.00mm	1.1	.55	2.2					
	WA25-14mm-14mm	*14.00mm	*14.00mm	1.1	.55	2.2					
	WA25-15mm-12	*15.00mm	.375in	1.1	.55	2.2					
10 Feb 00	WA25-15mm-10mm	*15.00mm	10.00mm	1.1	.55	2.2					
31 Oct 07	WA25-15mm-11mm	*15.00mm	*11.00mm	1.1	.55	2.2					
	WA25-15.92mm-15mm	*15.92mm	*15.00mm	1.1	.55	2.2					
12 Nov 02	WA25-16mm-12mm	*16.00mm	*12.00mm	1.1	.55	2.2					
	WA25-16mm-16mm	*16.00mm	*16.00mm	1.1	.55	2.2					
9 JUN 15	WA25-10-10	.313in	.313in	1.3	.65	2.6					
21 SEP 16	WA25-16mm-6mm	*16.00mm	6.00mm	1.1	.55	2.2					

* NOTE: Bores greater than 10.00mm Dia: bore depth is 5.00mm

NOTICE: THE INFORMATION AND DATA CONTAINED HEREIN IS CONSIDERED PROPRIETARY TO HELICAL PRODUCTS COMPANY, INC., AND SHALL REMAIN THE EXCLUSIVE PROPERTY OF HELICAL. THE HOLDER WILL ASSUME CUSTODY AND CONTROL THAT THIS DOCUMENT WILL NOT BE COPIED, REPRODUCED OR DISCLOSED WITHOUT THE EXPRESS WRITTEN CONSENT OF HELICAL. POSSESSION OF THIS DOCUMENT DOES NOT CONSTITUTE A GRANT TO MANUFACTURE ANY ITEMS.

ADDITIONAL BORE SIZES AVAILABLE UPON REQUEST

APPROVALS	DATE	HELICAL PRODUCTS CO. P.O. BOX 1069 SANTA MARIA, CA. 93456 U.S.A PHONE (805) 928-3851 FSCI3201
DRAWN		
CHECKED		TITLE HELICAL FLEXIBLE SHAFT COUPLING
PRODN		TABULATED BORE SIZES
ISSUED	10/10/2011 11:50:45 AM	DWG NO WA25