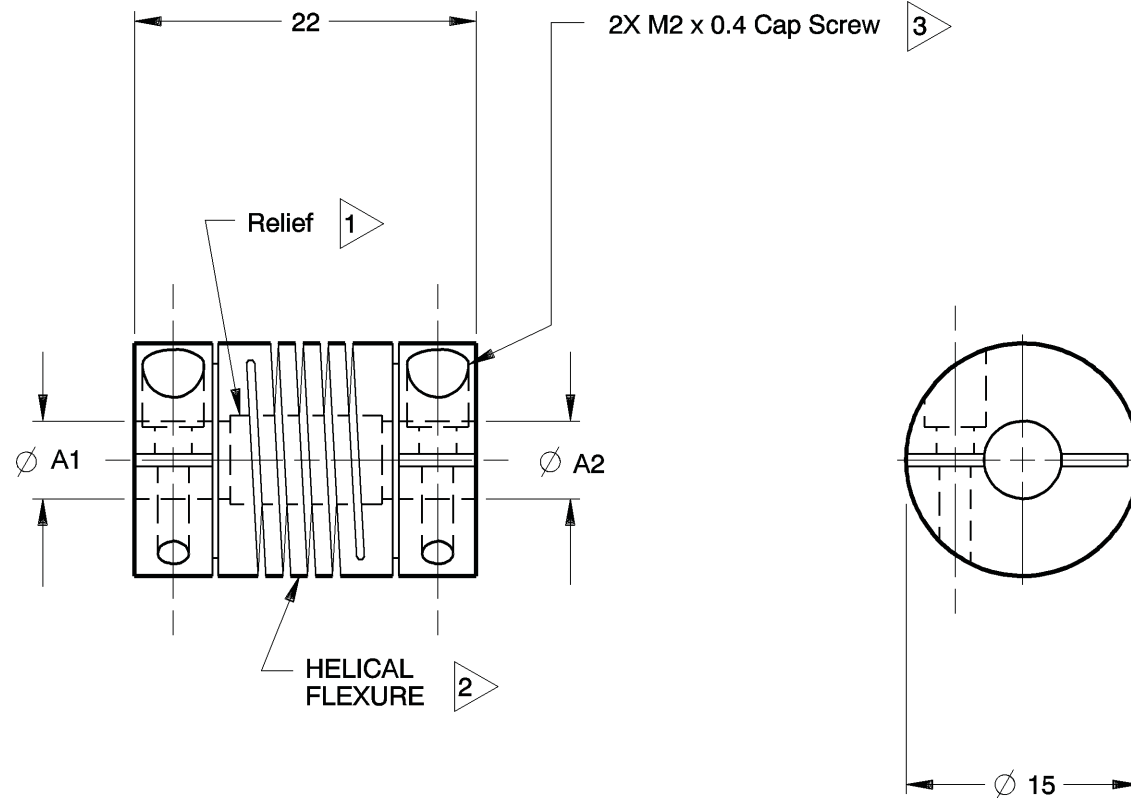


NOTES: See Tabulated Sheet

- 1 Relief permits component shafts to near butt.
- 2 Hubs and HELI-CAL FLEXURE are made from a single piece of material.
- 3 Integral Clamp attachment, hex. socket, ISO std., cap screw furnished: both hubs.
- 4 Backlash: None. No lubrication required.
- 5 Permitted axial motion from free length: $\pm .25\text{mm}$
- 6 RPM: Up to 10,000, depending upon application.
- 7 Working torque ratings are based upon continuous duty with noted misalignments applied separately and may be increased with improved alignment:
See Tabulated Sheet
- 8 Permissible shaft misalignment:
Angular, up to 5 degrees.
Offset, up to .25mm (TIR, .50mm)
- 9 Part will have a 16.85mm. Clearance Diameter on both ends when any bore is over 5.33mm thru 7.42mm.



WAC15-5mm-5mm SHOWN

NOTICE: THE INFORMATION AND DATA CONTAINED HEREIN IS CONSIDERED PROPRIETARY TO HELICAL PRODUCTS COMPANY, INC., AND SHALL REMAIN THE EXCLUSIVE PROPERTY OF HELICAL. THE HOLDER WILL ASSUME CUSTODY AND CONTROL THAT THIS DOCUMENT WILL NOT BE COPIED, REPRODUCED OR DISCLOSED WITHOUT THE EXPRESS WRITTEN CONSENT OF HELICAL. POSSESSION OF THIS DOCUMENT DOES NOT CONSTITUTE A GRANT TO MANUFACTURE ANY ITEMS.

DO NOT SCALE DRAWING.

11-20-09	--	Finish was Chromic Acid Anodize; Update GD&T	HG	JAJ
DATE	LTR	REVISION	CHK	

Unless otherwise noted dimensions in millimeters.
Tolerances are:
Decimals: X $\pm .5\text{mm}$
 X.X $\pm .25\text{mm}$
 X.XX $\pm .15\text{mm}$
Angles: ± 2 degrees
Break sharp corners .25mm max.

APPROVALS	DATE
DRAWN MM	8-4-78
CHECKED GLB	8-4-78
PRODN APA	8-4-78
ISSUED	
WEIGHT	9g (calc)
SCALE 2/1	SIZE A

<p>HELICAL PRODUCTS CO., INC. P.O. BOX 1069 SANTA MARIA, CA. 93456 U.S.A PHONE (805) 928-3851 FSC13201</p>		TITLE	HELICAL FLEXIBLE SHAFT COUPLING
		MATERIAL	7075-T6 Aluminum Alloy
		FINISH	Anodize per HPS1000
		DWG NO	WAC15

ADDITION DATE	PART NUMBER	BORE TOLERANCES		TORQUES (Nm)			TORSIONAL FLEXIBILITY deg/Nm	MASS MOMENT OF INERTIA	COMMENTS	A1	A2	
		+.002in -.000in	or	+.05mm -.00mm	Non-reversing	Shock or Reversing						Momentary
		A1 Dia		A2 Dia								
09 Mar 88	WAC15-3mm-2mm	3.00mm		2.00mm	.36	.18	.71					
15 Mar 02	WAC15-3mm-3M	3.00mm		.090in	.36	.18	.71					
11 Nov 11	WAC15-3mm-2.5mm	3.00mm		2.50mm	.36	.18	.71					
09 Mar 88	WAC15-3mm-3mm	3.00mm		3.00mm	.36	.18	.71					
09 Mar 88	WAC15-4M-3mm	.120in		3.00mm	.36	.18	.71					
	WAC15-4-2mm	.125in		2.00mm	.35	.18	.70					
03 Nov 88	WAC15-4-3mm	.125in		3.00mm	.35	.18	.70					

*** NOTE: Bores greater than 5.00mm Dia: bore depth is 6.15mm**

NOTICE: THE INFORMATION AND DATA CONTAINED HEREIN IS CONSIDERED PROPRIETARY TO HELICAL PRODUCTS COMPANY, INC., AND SHALL REMAIN THE EXCLUSIVE PROPERTY OF HELICAL. THE HOLDER WILL ASSUME CUSTODY AND CONTROL THAT THIS DOCUMENT WILL NOT BE COPIED, REPRODUCED OR DISCLOSED WITHOUT THE EXPRESS WRITTEN CONSENT OF HELICAL. POSSESSION OF THIS DOCUMENT DOES NOT CONSTITUTE A GRANT TO MANUFACTURE ANY ITEMS.

ADDITIONAL BORE SIZES AVAILABLE UPON REQUEST

APPROVALS	DATE	HELICAL PRODUCTS CO. INC P.O. BOX 1069 SANTA MARIA, CA. 93456 U.S.A PHONE (805) 928-3851 FSCI3201
DRAWN		
CHECKED		TITLE HELICAL FLEXIBLE SHAFT COUPLING
PRODN		TABULATED BORE SIZES
ISSUED	11/11/2011 1:14:31 PM	DWG NO WAC15

Printed 11/11/2011 1:15:25 PM by larryg

ADDITION DATE	PART NUMBER	BORE TOLERANCES		TORQUES (Nm)			TORSIONAL FLEXIBILITY deg/Nm	MASS MOMENT OF INERTIA	COMMENTS	A1	A2
		+.002in -.000in	or +.05mm -.00mm	Non-reversing	Shock or Reversing	Momentary					
09 Mar 88	WAC15-4-4	.125in	.125in	.35	.18	.70					
09 Mar 88	WAC15-3.5mm-3mm	3.50mm	3.00mm	.35	.17	.69					
04 Nov 88	WAC15-5-3	.157in	.094in	.33	.17	.66					
09 Mar 88	WAC15-5-5	.157in	.157in	.33	.17	.66					
	WAC15-4mm-2mm	4.00mm	2.00mm	.33	.17	.66					
	WAC15-4mm-3M	4.00mm	.090in	.33	.17	.66					
09 Mar 88	WAC15-4mm-2.5mm	4.00mm	2.50mm	.33	.17	.66					
09 Mar 88	WAC15-4mm-3mm	4.00mm	3.00mm	.33	.17	.66					
03 May 88	WAC15-4mm-4M	4.00mm	.120in	.33	.17	.66					
	WAC15-4mm-4	4.00mm	.125in	.33	.17	.66					
	WAC15-4mm-3.5mm	4.00mm	3.50mm	.33	.17	.66					
09 Mar 88	WAC15-4mm-4mm	4.00mm	4.00mm	.33	.17	.66					
	WAC15-4.5mm-2mm	4.50mm	2.00mm	.32	.16	.63					
	WAC15-4.5mm-3mm	4.50mm	3.00mm	.32	.16	.63					
11 Jan 89	WAC15-6-3mm	.188in	3.00mm	.30	.15	.60					
03 May 88	WAC15-6-4M	.188in	.120in	.30	.15	.60					
09 Mar 88	WAC15-6-4	.188in	.125in	.30	.15	.60					
20 Nov 09	WAC15-6-4mm	.188in	4.00mm	.30	.15	.60					
09 Mar 88	WAC15-6-6	.188in	.188in	.30	.15	.60					
03 May 88	WAC15-5mm-2mm	5.00mm	2.00mm	.30	.15	.59					
09 Mar 88	WAC15-5mm-3M	5.00mm	.090in	.30	.15	.59					
09 Mar 88	WAC15-5mm-3mm	5.00mm	3.00mm	.30	.15	.59					
09 Mar 88	WAC15-5mm-4M	5.00mm	.120in	.30	.15	.59					
09 Mar 88	WAC15-5mm-4	5.00mm	.125in	.30	.15	.59					
09 Mar 88	WAC15-5mm-3.25mm	5.00mm	3.25mm	.30	.15	.59					
09 Mar 88	WAC15-5mm-4mm	5.00mm	4.00mm	.30	.15	.59					
18 Sep 90	WAC15-5mm-4.5mm	5.00mm	4.50mm	.30	.15	.59					
	WAC15-5mm-4.75mm	5.00mm	4.75mm	.30	.15	.59					
	WAC15-5mm-6	5.00mm	.188in	.30	.15	.59					
09 Jun 05	WAC15-5mm-4.86mm	5.00mm	4.86mm	.30	.15	.59					
09 Mar 88	WAC15-5mm-5mm	5.00mm	5.00mm	.30	.15	.59					

* NOTE: Bores greater than 5.00mm Dia: bore depth is 6.15mm

NOTICE: THE INFORMATION AND DATA CONTAINED HEREIN IS CONSIDERED PROPRIETARY TO HELICAL PRODUCTS COMPANY, INC., AND SHALL REMAIN THE EXCLUSIVE PROPERTY OF HELICAL. THE HOLDER WILL ASSUME CUSTODY AND CONTROL THAT THIS DOCUMENT WILL NOT BE COPIED, REPRODUCED OR DISCLOSED WITHOUT THE EXPRESS WRITTEN CONSENT OF HELICAL. POSSESSION OF THIS DOCUMENT DOES NOT CONSTITUTE A GRANT TO MANUFACTURE ANY ITEMS.

ADDITIONAL BORE SIZES AVAILABLE UPON REQUEST

APPROVALS	DATE	HELICAL PRODUCTS CO. INC P.O. BOX 1069 SANTA MARIA, CA. 93456 U.S.A PHONE (805) 928-3851 FSCI3201
DRAWN		
CHECKED		TITLE
PRODN		HELICAL FLEXIBLE SHAFT COUPLING
ISSUED	11/11/2011 1:14:31 PM	TABULATED BORE SIZES
		DWG NO WAC15

ADDITION DATE	PART NUMBER	BORE TOLERANCES		TORQUES (Nm)			TORSIONAL FLEXIBILITY deg/Nm	MASS MOMENT OF INERTIA	COMMENTS	A1 A2	
		+0.002in -0.000in	or +0.05mm -0.00mm	Non-reversing	Shock or Reversing	Momentary				A1	A2
	WAC15-5.8mm-5mm	* 5.80mm	5.00mm	.30	.15	.59			Clearance Diam.:	16.85mm	
	WAC15-6mm-2mm	* 6.00mm	2.00mm	.30	.15	.59			Clearance Diam.:	16.85mm	
09 Mar 88	WAC15-6mm-3mm	* 6.00mm	3.00mm	.30	.15	.59			Clearance Diam.:	16.85mm	
23 Oct 89	WAC15-6mm-4M	* 6.00mm	.120in	.30	.15	.59			Clearance Diam.:	16.85mm	
	WAC15-6mm-4	* 6.00mm	.125in	.30	.15	.59			Clearance Diam.:	16.85mm	
09 Mar 88	WAC15-6mm-4mm	* 6.00mm	4.00mm	.30	.15	.59			Clearance Diam.:	16.85mm	
	WAC15-6mm-6	* 6.00mm	.188in	.30	.15	.59			Clearance Diam.:	16.85mm	
09 Mar 88	WAC15-6mm-5mm	* 6.00mm	5.00mm	.30	.15	.59			Clearance Diam.:	16.85mm	
09 Mar 88	WAC15-6mm-6mm	* 6.00mm	* 6.00mm	.30	.15	.59			Clearance Diam.:	16.85mm	
09 Mar 88	WAC15-8-3mm	* .250in	3.00mm	.30	.15	.59			Clearance Diam.:	16.85mm	
03 Nov 88	WAC15-8-4mm	* .250in	4.00mm	.30	.15	.59			Clearance Diam.:	16.85mm	
14 Dec 00	WAC15-8-6	* .250in	.188in	.30	.15	.59			Clearance Diam.:	16.85mm	
09 Mar 88	WAC15-8-5mm	* .250in	5.00mm	.30	.15	.59			Clearance Diam.:	16.85mm	
09 Mar 88	WAC15-8-6mm	* .250in	* 6.00mm	.30	.15	.59			Clearance Diam.:	16.85mm	
09 Mar 88	WAC15-8-8	* .250in	* .250in	.30	.15	.59			Clearance Diam.:	16.85mm	
05 Apr 00	WAC15-6.5mm-6.5mm	* 6.50mm	* 6.50mm	.30	.15	.59			Clearance Diam.:	16.85mm	
30 Nov 04	WAC15-7.30mm-6mm	* 7.30mm	* 6.00mm	.30	.15	.59			Clearance Diam.:	16.85mm	

*** NOTE: Bores greater than 5.00mm Dia: bore depth is 6.15mm**

NOTICE: THE INFORMATION AND DATA CONTAINED HEREIN IS CONSIDERED PROPRIETARY TO HELICAL PRODUCTS COMPANY, INC., AND SHALL REMAIN THE EXCLUSIVE PROPERTY OF HELICAL. THE HOLDER WILL ASSUME CUSTODY AND CONTROL THAT THIS DOCUMENT WILL NOT BE COPIED, REPRODUCED OR DISCLOSED WITHOUT THE EXPRESS WRITTEN CONSENT OF HELICAL. POSSESSION OF THIS DOCUMENT DOES NOT CONSTITUTE A GRANT TO MANUFACTURE ANY ITEMS.

ADDITIONAL BORE SIZES AVAILABLE UPON REQUEST

APPROVALS	DATE	HELICAL PRODUCTS CO. INC P.O. BOX 1069 SANTA MARIA, CA. 93456 U.S.A PHONE (805) 928-3851 FSCI3201
DRAWN		
CHECKED		TITLE
PRODN		HELICAL FLEXIBLE SHAFT COUPLING
ISSUED	11/11/2011 1: 14: 31 PM	TABULATED BORE SIZES
		DWG NO WAC15

Printed 11/11/2011 1: 15: 25 PM by larryg