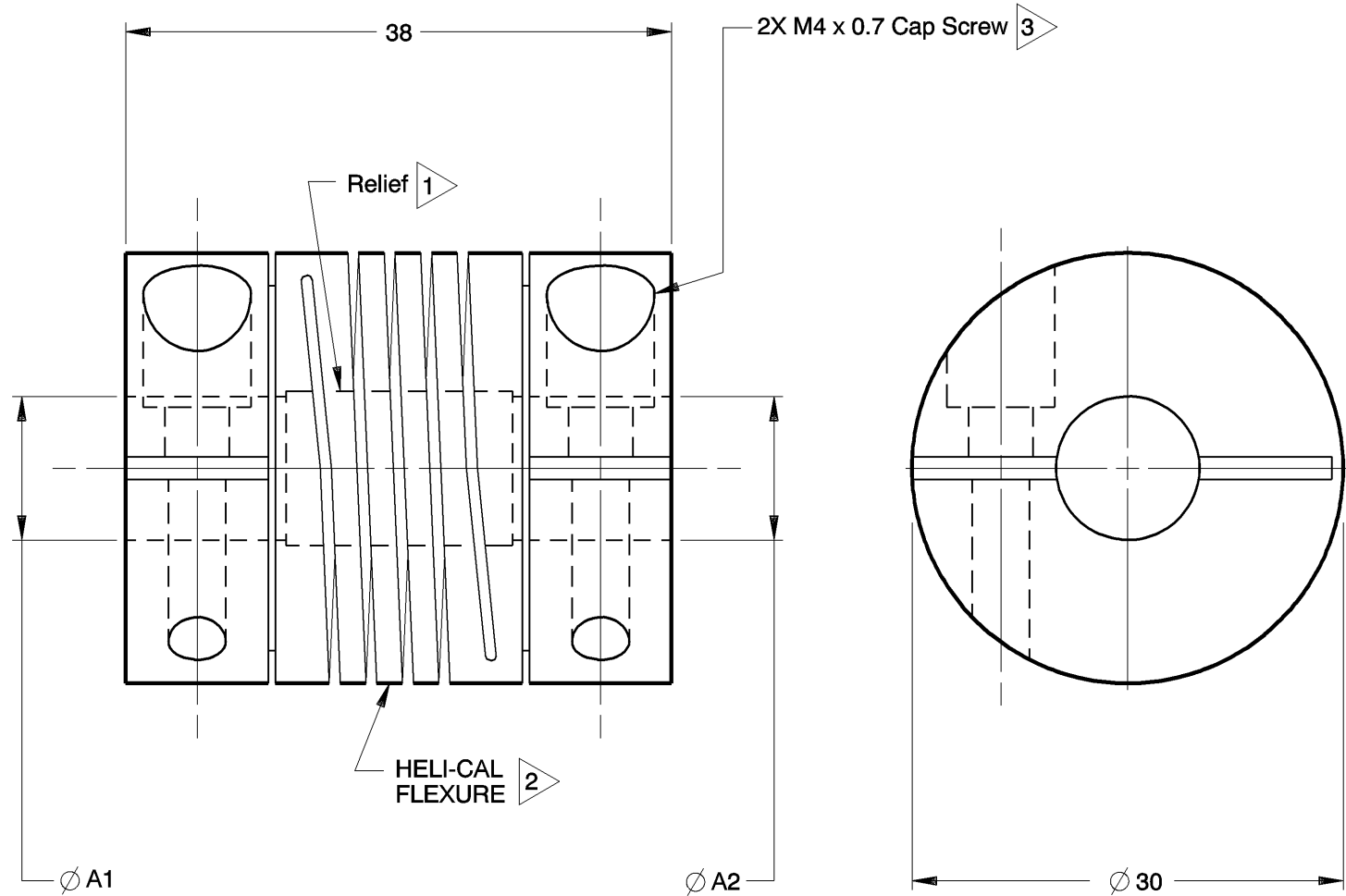


NOTES: See Tabulated Sheet

- 1 Relief permits component shafts to near butt.
- 2 Hubs and HELI-CAL FLEXURE are made from a single piece of material.
- 3 Integral Clamp attachment, hex. socket, ISO std., cap screw furnished: both hubs.
- 4 Backlash: None. No lubrication required.
- 5 Permitted axial motion from free length:  $\pm .25\text{mm}$
- 6 RPM: Up to 10,000, depending upon application.
- 7 Working torque ratings are based upon continuous duty with noted misalignments applied separately and may be increased with improved alignment:
- See Tabulated Sheet
- 8 Permissible shaft misalignment:  
Angular, up to 5 degrees.  
Offset, up to .25mm (TIR, .50mm)
- 9 Part will have a 34.83mm Clearance Diameter on both ends when any bore is over 12.28mm thru 17.30mm.



WAC30-10mm-10mm SHOWN

NOTICE: THE INFORMATION AND DATA CONTAINED HEREIN IS CONSIDERED PROPRIETARY TO HELICAL PRODUCTS COMPANY, INC., AND SHALL REMAIN THE EXCLUSIVE PROPERTY OF HELICAL. THE HOLDER WILL ASSUME CUSTODY AND CONTROL THAT THIS DOCUMENT WILL NOT BE COPIED, REPRODUCED OR DISCLOSED WITHOUT THE EXPRESS WRITTEN CONSENT OF HELICAL. POSSESSION OF THIS DOCUMENT DOES NOT CONSTITUTE A GRANT TO MANUFACTURE ANY ITEMS.

DO NOT SCALE DRAWING.

01-25-10	---	Finish was Chromic Acid Anodize; Updated GD&T	JAJ	HG
9-14-98		Clerical format update/ No revision	BJM	MC
DATE	LTR	REVISION	CHK	

Unless otherwise noted dimensions in millimeters.

Tolerances are:  
Decimals: X  $\pm .5\text{mm}$   
          X.X  $\pm .25\text{mm}$   
          X.XX  $\pm .15\text{mm}$   
Angles:  $\pm 2$  degrees  
Break sharp corners .25mm max.

APPROVALS	DATE
DRAWN MM	8-11-78
CHECKED GLB	8-11-78
PROD N APA	8-11-78
ISSUED	
WEIGHT	60g (calc)
SCALE 2/1	SIZE A

<p><b>HELICAL PRODUCTS CO., INC.</b> P.O. BOX 1069 SANTA MARIA, CA. 93456 U.S.A PHONE (805) 928-3851 FSC13201</p>	
TITLE	HELICAL FLEXIBLE SHAFT COUPLING
MATERIAL	7075-T6 Aluminum Alloy
FINISH	Anodize per HPS1000
DWG NO	WAC30

ADDITION DATE	PART NUMBER	BORE TOLERANCES		TORQUES ( Nm )			TORSIONAL FLEXIBILITY deg/Nm	MASS MOMENT OF INERTIA	COMMENTS	A1	A2	
		+.002in -.000in	or	+.05mm -.00mm	Non-reversing	Shock or Reversing						Momentary
	WAC30-9mm-6mm	9.00mm	6.00mm	2.5	1.2	4.9						
	WAC30-9mm-7mm	9.00mm	7.00mm	2.5	1.2	4.9						
	WAC30-9mm-8mm	9.00mm	8.00mm	2.5	1.2	4.9						
09 Mar 88	WAC30-9mm-9mm	9.00mm	9.00mm	2.5	1.2	4.9						
31 May 05	WAC30-9.25mm-9.25mm	9.25mm	9.25mm	2.4	1.2	4.8						
12 Jul 10	WAC30-9.3mm-7mm	9.30mm	7.00mm	2.4	1.2	4.8						
06 Jul 12	WAC30-9.35mm-9.35mm	9.35mm	9.35mm	2.4	1.2	4.8						
24 Aug 09	WAC30-9.4mm-7.8mm	9.40mm	7.80mm	2.4	1.2	4.8						
	WAC30-9.5mm-5mm	9.50mm	5.00mm	2.4	1.2	4.8						
	WAC30-9.5mm-6mm	9.50mm	6.00mm	2.4	1.2	4.8						
09 Mar 88	WAC30-9.5mm-8M	9.50mm	.240in	2.4	1.2	4.8						
21 Jan 04	WAC30-9.5mm-9.5mm	9.50mm	9.50mm	2.4	1.2	4.8						
	WAC30-12-5mm	.375in	5.00mm	2.4	1.2	4.8						
02 May 88	WAC30-12-6mm	.375in	6.00mm	2.4	1.2	4.8						
09 Mar 88	WAC30-12-8	.375in	.250in	2.4	1.2	4.8						
09 Mar 88	WAC30-12-7mm	.375in	7.00mm	2.4	1.2	4.8						
	WAC30-12-10	.375in	.313in	2.4	1.2	4.8						
02 May 88	WAC30-12-8mm	.375in	8.00mm	2.4	1.2	4.8						
09 Mar 88	WAC30-12-9mm	.375in	9.00mm	2.4	1.2	4.8						
12 Jul 10	WAC30-12-9.3mm	.375in	9.30mm	2.4	1.2	4.8						

**\* NOTE: Bores greater than 12.70mm Dia: bore depth is 1.00mm**

NOTICE: THE INFORMATION AND DATA CONTAINED HEREIN IS CONSIDERED PROPRIETARY TO HELICAL PRODUCTS COMPANY, INC., AND SHALL REMAIN THE EXCLUSIVE PROPERTY OF HELICAL. THE HOLDER WILL ASSUME CUSTODY AND CONTROL THAT THIS DOCUMENT WILL NOT BE COPIED, REPRODUCED OR DISCLOSED WITHOUT THE EXPRESS WRITTEN CONSENT OF HELICAL. POSSESSION OF THIS DOCUMENT DOES NOT CONSTITUTE A GRANT TO MANUFACTURE ANY ITEMS.

**ADDITIONAL BORE SIZES AVAILABLE UPON REQUEST**

APPROVALS	DATE
DRAWN	
CHECKED	
PRODN	
ISSUED	7/6/2012 9:13:56 AM

HELICAL PRODUCTS CO. INC  
P.O. BOX 1069 SANTA MARIA, CA. 93456 U.S.A  
PHONE (805) 928-3851 FSCI320I

TITLE **HELICAL FLEXIBLE SHAFT COUPLING**

**TABULATED BORE SIZES**

DWG NO **WAC30**

Printed 7/6/2012 9:17:02 AM by JulesJ

ADDITION DATE	PART NUMBER	BORE TOLERANCES		TORQUES ( Nm )			TORSIONAL FLEXIBILITY deg/Nm	MASS MOMENT OF INERTIA	COMMENTS	A1	A2
		+.002in -.000in	or +.05mm -.00mm	Non-reversing	Shock or Reversing	Momentary					
09 Mar 88	WAC30-12-9.5mm	.375in	9.50mm	2.4	1.2	4.8					
09 Mar 88	WAC30-12-12	.375in	.375in	2.4	1.2	4.8					
09 Mar 88	WAC30-12-10mm	.375in	10.00mm	2.3	1.2	4.6					
17 Jul 06	WAC30-9.8mm-9.8mm	9.80mm	9.80mm	2.3	1.2	4.7					
	WAC30-10mm-3mm	10.00mm	3.00mm	2.3	1.2	4.6					
	WAC30-10mm-5mm	10.00mm	5.00mm	2.3	1.2	4.6					
09 Mar 88	WAC30-10mm-6mm	10.00mm	6.00mm	2.3	1.2	4.6					
09 Mar 88	WAC30-10mm-8	10.00mm	.250in	2.3	1.2	4.6					
02 May 88	WAC30-10mm-7mm	10.00mm	7.00mm	2.3	1.2	4.6					
28 Feb 08	WAC30-10mm-10	10.00mm	.313in	2.3	1.2	4.6					
09 Mar 88	WAC30-10mm-8mm	10.00mm	8.00mm	2.3	1.2	4.6					
09 Mar 88	WAC30-10mm-9mm	10.00mm	9.00mm	2.3	1.2	4.6					
09 Mar 88	WAC30-10mm-9.5mm	10.00mm	9.50mm	2.3	1.2	4.6					
09 Mar 88	WAC30-10mm-12	10.00mm	.375in	2.3	1.2	4.6					
09 Mar 88	WAC30-10mm-10mm	10.00mm	10.00mm	2.3	1.2	4.6					
	WAC30-10.52mm-8	10.52mm	.250in	2.2	1.1	4.4					
	WAC30-11mm-6mm	11.00mm	6.00mm	2.2	1.1	4.3					
09 Mar 88	WAC30-11mm-7mm	11.00mm	7.00mm	2.2	1.1	4.3					
02 May 88	WAC30-11mm-8mm	11.00mm	8.00mm	2.2	1.1	4.3					
09 Mar 88	WAC30-11mm-9mm	11.00mm	9.00mm	2.2	1.1	4.3					
02 May 88	WAC30-11mm-9.5mm	11.00mm	9.50mm	2.2	1.1	4.3					
09 Mar 88	WAC30-11mm-12	11.00mm	.375in	2.2	1.1	4.3					
09 Mar 88	WAC30-11mm-10mm	11.00mm	10.00mm	2.2	1.1	4.3					
09 Mar 88	WAC30-11mm-11mm	11.00mm	11.00mm	2.2	1.1	4.3					
23 May 08	WAC30-14-12	.438in	.375in	2.2	1.1	4.3					
	WAC30-11.5mm-9mm	11.50mm	9.00mm	2.0	1.0	4.0					
19 Jul 06	WAC30-11.9mm-9.9mm	11.90mm	9.90mm	2.0	1.0	4.0					
09 Mar 11	WAC30-12mm-3mm	12.00mm	3.00mm	2.0	1.0	4.0					
	WAC30-12mm-3.75mm	12.00mm	3.75mm	2.0	1.0	4.0					
22 Feb 89	WAC30-12mm-6	12.00mm	.188in	2.0	1.0	4.0					
	WAC30-12mm-5mm	12.00mm	5.00mm	2.0	1.0	4.0					

\* NOTE: Bores greater than 12.70mm Dia: bore depth is 1.00mm

NOTICE: THE INFORMATION AND DATA CONTAINED HEREIN IS CONSIDERED PROPRIETARY TO HELICAL PRODUCTS COMPANY, INC., AND SHALL REMAIN THE EXCLUSIVE PROPERTY OF HELICAL. THE HOLDER WILL ASSUME CUSTODY AND CONTROL THAT THIS DOCUMENT WILL NOT BE COPIED, REPRODUCED OR DISCLOSED WITHOUT THE EXPRESS WRITTEN CONSENT OF HELICAL. POSSESSION OF THIS DOCUMENT DOES NOT CONSTITUTE A GRANT TO MANUFACTURE ANY ITEMS.

**ADDITIONAL BORE SIZES AVAILABLE UPON REQUEST**

APPROVALS	DATE
DRAWN	
CHECKED	
PRODN	
ISSUED	7/6/2012 9: 13: 56 AM

HELICAL PRODUCTS CO. INC  
P.O. BOX 1069 SANTA MARIA, CA. 93456 U.S.A  
PHONE (805) 928-3851 FSCI3201

TITLE **HELICAL FLEXIBLE SHAFT COUPLING**

**TABULATED BORE SIZES**

DWG NO **WAC30**

Printed 7/6/2012 9:17:02 AM by JulesJ

ADDITION DATE	PART NUMBER	BORE TOLERANCES		TORQUES ( Nm )			TORSIONAL FLEXIBILITY deg/Nm	MASS MOMENT OF INERTIA	COMMENTS	A1	A2
		+.002in -.000in	or +.05mm -.00mm	Non-reversing	Shock or Reversing	Momentary					
29 Jul 03	WAC30-12mm-5.79mm	12.00mm	5.79mm	2.0	1.0	4.0					
29 Jul 03	WAC30-12mm-5.83mm	12.00mm	5.83mm	2.0	1.0	4.0					
09 Mar 88	WAC30-12mm-6mm	12.00mm	6.00mm	2.0	1.0	4.0					
02 May 88	WAC30-12mm-8	12.00mm	.250in	2.0	1.0	4.0					
09 Mar 88	WAC30-12mm-7mm	12.00mm	7.00mm	2.0	1.0	4.0					
02 May 88	WAC30-12mm-10	12.00mm	.313in	2.0	1.0	4.0					
09 Mar 88	WAC30-12mm-8mm	12.00mm	8.00mm	2.0	1.0	4.0					
09 Mar 88	WAC30-12mm-9mm	12.00mm	9.00mm	2.0	1.0	4.0					
09 Mar 88	WAC30-12mm-9.5mm	12.00mm	9.50mm	2.0	1.0	4.0					
09 Mar 88	WAC30-12mm-12	12.00mm	.375in	2.0	1.0	4.0					
09 Mar 88	WAC30-12mm-10mm	12.00mm	10.00mm	2.0	1.0	4.0					
09 Mar 88	WAC30-12mm-11mm	12.00mm	11.00mm	2.0	1.0	4.0					
09 Mar 88	WAC30-12mm-12mm	12.00mm	12.00mm	2.0	1.0	4.0					
25 Aug 04	WAC30-12.5mm-11mm	12.50mm	11.00mm	2.0	1.0	4.0		Clearance Diam.:		34.83mm	
09 Mar 88	WAC30-16-3mm	.500in	3.00mm	1.9	.93	3.7		Clearance Diam.:		34.83mm	
09 Mar 88	WAC30-16-6mm	.500in	6.00mm	1.9	.93	3.7		Clearance Diam.:		34.83mm	
	WAC30-16-8	.500in	.250in	1.9	.93	3.7		Clearance Diam.:		34.83mm	
09 Mar 88	WAC30-16-7mm	.500in	7.00mm	1.9	.93	3.7		Clearance Diam.:		34.83mm	
	WAC30-16-10	.500in	.313in	1.9	.93	3.7		Clearance Diam.:		34.83mm	
26 Mar 01	WAC30-16-8mm	.500in	8.00mm	1.9	.93	3.7		Clearance Diam.:		34.83mm	
11 Nov 04	WAC30-16-9mm	.500in	9.00mm	1.9	.93	3.7		Clearance Diam.:		34.83mm	
02 May 88	WAC30-16-12	.500in	.375in	1.9	.93	3.7		Clearance Diam.:		34.83mm	
19 Jun 90	WAC30-16-10mm	.500in	10.00mm	1.9	.93	3.7		Clearance Diam.:		34.83mm	
09 Mar 88	WAC30-16-12mm	.500in	12.00mm	1.9	.93	3.7		Clearance Diam.:		34.83mm	
	WAC30-16-16	.500in	.500in	1.9	.93	3.7		Clearance Diam.:		34.83mm	
09 Mar 88	WAC30-12.8mm-9mm	*12.80mm	9.00mm	2.0	1.0	4.0		Clearance Diam.:		34.83mm	
	WAC30-13mm-9mm	*13.00mm	9.00mm	2.0	1.0	4.0		Clearance Diam.:		34.83mm	
19 Dec 05	WAC30-13mm-10mm	*13.00mm	10.00mm	2.0	1.0	4.0		Clearance Diam.:		34.83mm	
	WAC30-13mm-11mm	*13.00mm	11.00mm	2.0	1.0	4.0		Clearance Diam.:		34.83mm	
28 Mar 01	WAC30-13.7mm-5.9mm	*13.70mm	5.90mm	2.0	1.0	4.0		Clearance Diam.:		34.83mm	
	WAC30-14mm-5mm	*14.00mm	5.00mm	2.0	1.0	4.0		Clearance Diam.:		34.83mm	

\* NOTE: Bores greater than 12.70mm Dia: bore depth is 1.00mm

NOTICE: THE INFORMATION AND DATA CONTAINED HEREIN IS CONSIDERED PROPRIETARY TO HELICAL PRODUCTS COMPANY, INC., AND SHALL REMAIN THE EXCLUSIVE PROPERTY OF HELICAL. THE HOLDER WILL ASSUME CUSTODY AND CONTROL THAT THIS DOCUMENT WILL NOT BE COPIED, REPRODUCED OR DISCLOSED WITHOUT THE EXPRESS WRITTEN CONSENT OF HELICAL. POSSESSION OF THIS DOCUMENT DOES NOT CONSTITUTE A GRANT TO MANUFACTURE ANY ITEMS.

**ADDITIONAL BORE SIZES AVAILABLE UPON REQUEST**

APPROVALS	DATE
DRAWN	
CHECKED	
PRODN	
ISSUED	7/6/2012 9:13:56 AM

HELICAL PRODUCTS CO. INC	
P.O. BOX 1069 SANTA MARIA, CA. 93456 U.S.A PHONE (805) 928-3851 FSCI3201	
TITLE	HELICAL FLEXIBLE SHAFT COUPLING
<b>TABULATED BORE SIZES</b>	
DWG NO	WAC30

Printed 7/6/2012 9:17:02 AM by JulesJ

ADDITION DATE	PART NUMBER	BORE TOLERANCES		TORQUES ( Nm )			TORSIONAL FLEXIBILITY deg/Nm	MASS MOMENT OF INERTIA	COMMENTS	A1	A2
		+.002in -.000in	or +.05mm -.00mm	Non-reversing	Shock or Reversing	Momentary					
09 Mar 88	WAC30-14mm-6mm	*14.00mm	6.00mm	2.0	1.0	4.0		Clearance Diam.:	34.83mm		
	WAC30-14mm-6.22mm	*14.00mm	6.22mm	2.0	1.0	4.0		Clearance Diam.:	34.83mm		
02 Aug 90	WAC30-14mm-7mm	*14.00mm	7.00mm	2.0	1.0	4.0		Clearance Diam.:	34.83mm		
	WAC30-14mm-8mm	*14.00mm	8.00mm	2.0	1.0	4.0		Clearance Diam.:	34.83mm		
06 Oct 06	WAC30-14mm-8.5mm	*14.00mm	8.50mm	2.0	1.0	4.0		Clearance Diam.:	34.83mm		
	WAC30-14mm-9mm	*14.00mm	9.00mm	2.0	1.0	4.0		Clearance Diam.:	34.83mm		
02 May 88	WAC30-14mm-12	*14.00mm	.375in	2.0	1.0	4.0		Clearance Diam.:	34.83mm		
	WAC30-14mm-10mm	*14.00mm	10.00mm	2.0	1.0	4.0		Clearance Diam.:	34.83mm		
02 May 88	WAC30-14mm-11mm	*14.00mm	11.00mm	2.0	1.0	4.0		Clearance Diam.:	34.83mm		
18 Jul 90	WAC30-14mm-12mm	*14.00mm	12.00mm	2.0	1.0	4.0		Clearance Diam.:	34.83mm		
14 Dec 01	WAC30-14mm-16	*14.00mm	.500in	2.0	1.0	4.0		Clearance Diam.:	34.83mm		
28 Mar 89	WAC30-14mm-13mm	*14.00mm	*13.00mm	2.0	1.0	4.0		Clearance Diam.:	34.83mm		
02 May 88	WAC30-14mm-14mm	*14.00mm	*14.00mm	2.0	1.0	4.0		Clearance Diam.:	34.83mm		
	WAC30-18-12mm	*.563in	12.00mm	2.0	1.0	4.0		Clearance Diam.:	34.83mm		
30 Mar 01	WAC30-14.9mm-14mm	*14.90mm	*14.00mm	2.0	1.0	4.0		Clearance Diam.:	34.83mm		
29 Sep 89	WAC30-15mm-6mm	*15.00mm	6.00mm	2.0	1.0	4.0		Clearance Diam.:	34.83mm		
	WAC30-15mm-8	*15.00mm	.250in	2.0	1.0	4.0		Clearance Diam.:	34.83mm		
	WAC30-15mm-8mm	*15.00mm	8.00mm	2.0	1.0	4.0		Clearance Diam.:	34.83mm		
	WAC30-15mm-9mm	*15.00mm	9.00mm	2.0	1.0	4.0		Clearance Diam.:	34.83mm		
	WAC30-15mm-12	*15.00mm	.375in	2.0	1.0	4.0		Clearance Diam.:	34.83mm		
09 Mar 88	WAC30-15mm-10mm	*15.00mm	10.00mm	2.0	1.0	4.0		Clearance Diam.:	34.83mm		
	WAC30-15mm-11mm	*15.00mm	11.00mm	2.0	1.0	4.0		Clearance Diam.:	34.83mm		
	WAC30-15mm-12mm	*15.00mm	12.00mm	2.0	1.0	4.0		Clearance Diam.:	34.83mm		
03 Dec 90	WAC30-15mm-16	*15.00mm	.500in	2.0	1.0	4.0		Clearance Diam.:	34.83mm		
	WAC30-15mm-13mm	*15.00mm	*13.00mm	2.0	1.0	4.0		Clearance Diam.:	34.83mm		
	WAC30-15mm-13.4mm	*15.00mm	*13.40mm	2.0	1.0	4.0		Clearance Diam.:	34.83mm		
09 Mar 90	WAC30-15mm-15mm	*15.00mm	*15.00mm	2.0	1.0	4.0		Clearance Diam.:	34.83mm		
09 Mar 88	WAC30-20-6mm	*.625in	6.00mm	2.0	1.0	4.0		Clearance Diam.:	34.83mm		
02 Oct 90	WAC30-20-7.5mm	*.625in	7.50mm	2.0	1.0	4.0		Clearance Diam.:	34.83mm		
23 Jan 06	WAC30-20-10	*.625in	.313in	2.0	1.0	4.0		Clearance Diam.:	34.83mm		
09 Mar 88	WAC30-20-8mm	*.625in	8.00mm	2.0	1.0	4.0		Clearance Diam.:	34.83mm		

\* NOTE: Bores greater than 12.70mm Dia: bore depth is 1.00mm

NOTICE: THE INFORMATION AND DATA CONTAINED HEREIN IS CONSIDERED PROPRIETARY TO HELICAL PRODUCTS COMPANY, INC., AND SHALL REMAIN THE EXCLUSIVE PROPERTY OF HELICAL. THE HOLDER WILL ASSUME CUSTODY AND CONTROL THAT THIS DOCUMENT WILL NOT BE COPIED, REPRODUCED OR DISCLOSED WITHOUT THE EXPRESS WRITTEN CONSENT OF HELICAL. POSSESSION OF THIS DOCUMENT DOES NOT CONSTITUTE A GRANT TO MANUFACTURE ANY ITEMS.

**ADDITIONAL BORE SIZES AVAILABLE UPON REQUEST**

APPROVALS

DATE

DRAWN

CHECKED

PRODN

ISSUED

7/6/2012  
9:13:56 AM

HELICAL PRODUCTS CO. INC

P.O. BOX 1069 SANTA MARIA, CA. 93456 U.S.A  
PHONE (805) 928-3851 FSC1320I

TITLE **HELICAL FLEXIBLE SHAFT COUPLING**

**TABULATED BORE SIZES**

DWG NO

WAC30

Printed 7/6/2012 9:17:02 AM by JulesJ

ADDITION DATE	PART NUMBER	BORE TOLERANCES		TORQUES ( Nm )			TORSIONAL FLEXIBILITY deg/Nm	MASS MOMENT OF INERTIA	COMMENTS	A1	A2
		+.002in -.000in	or +.05mm -.00mm	Non-reversing	Shock or Reversing	Momentary					
25 Mar 02	WAC30-20-12	* .625in	.375in	2.0	1.0	4.0			Clearance Diam.:	34.83mm	
02 May 88	WAC30-20-10mm	* .625in	10.00mm	2.0	1.0	4.0			Clearance Diam.:	34.83mm	
	WAC30-20-11mm	* .625in	11.00mm	2.0	1.0	4.0			Clearance Diam.:	34.83mm	
	WAC30-20-12mm	* .625in	12.00mm	2.0	1.0	4.0			Clearance Diam.:	34.83mm	
	WAC30-20-14mm	* .625in	*14.00mm	2.0	1.0	4.0			Clearance Diam.:	34.83mm	
	WAC30-20-15mm	* .625in	*15.00mm	2.0	1.0	4.0			Clearance Diam.:	34.83mm	
09 Mar 88	WAC30-20-20	* .625in	*.625in	2.0	1.0	4.0			Clearance Diam.:	34.83mm	
	WAC30-16mm-6mm	*16.00mm	6.00mm	2.0	1.0	4.0			Clearance Diam.:	34.83mm	
	WAC30-16mm-8mm	*16.00mm	8.00mm	2.0	1.0	4.0			Clearance Diam.:	34.83mm	
12 Jul 01	WAC30-16mm-12	*16.00mm	.375in	2.0	1.0	4.0			Clearance Diam.:	34.83mm	
19 Jun 90	WAC30-16mm-10mm	*16.00mm	10.00mm	2.0	1.0	4.0			Clearance Diam.:	34.83mm	
	WAC30-16mm-11mm	*16.00mm	11.00mm	2.0	1.0	4.0			Clearance Diam.:	34.83mm	
	WAC30-16mm-12mm	*16.00mm	12.00mm	2.0	1.0	4.0			Clearance Diam.:	34.83mm	
	WAC30-16mm-14mm	*16.00mm	*14.00mm	2.0	1.0	4.0			Clearance Diam.:	34.83mm	
	WAC30-16mm-15mm	*16.00mm	*15.00mm	2.0	1.0	4.0			Clearance Diam.:	34.83mm	
18 Apr 05	WAC30-16mm-20	*16.00mm	*.625in	2.0	1.0	4.0			Clearance Diam.:	34.83mm	
	WAC30-16mm-16mm	*16.00mm	*16.00mm	2.0	1.0	4.0			Clearance Diam.:	34.83mm	
	WAC30-17mm-6mm	*17.00mm	6.00mm	2.0	1.0	4.0			Clearance Diam.:	34.83mm	
09 Mar 88	WAC30-17mm-8mm	*17.00mm	8.00mm	2.0	1.0	4.0			Clearance Diam.:	34.83mm	
	WAC30-17mm-11mm	*17.00mm	11.00mm	2.0	1.0	4.0			Clearance Diam.:	34.83mm	
18 Jan 91	WAC30-17mm-12mm	*17.00mm	12.00mm	2.0	1.0	4.0			Clearance Diam.:	34.83mm	
25 May 00	WAC30-17mm-14mm	*17.00mm	*14.00mm	2.0	1.0	4.0			Clearance Diam.:	34.83mm	
02 JUN 14	WAC30-10mm-6.2mm	10.00mm	6.20mm	2.3	1.1	4.6			CLEARANCE DIAM.:	34.83mm	
02 FEB 14	WAC30-17mm-5mm	*17.00mm	5.00mm	2.0	1.0	4.0			CLEARANCE DIAM.:	34.83mm	
24 JUL 15	WAC30-17mm-6.3mm	*17.00mm	6.30mm	2.0	1.0	4.0			CLEARANCE DIAM.:	34.83mm	

\* NOTE: Bores greater than 12.70mm Dia: bore depth is 1.00mm

NOTICE: THE INFORMATION AND DATA CONTAINED HEREIN IS CONSIDERED PROPRIETARY TO HELICAL PRODUCTS COMPANY, INC., AND SHALL REMAIN THE EXCLUSIVE PROPERTY OF HELICAL. THE HOLDER WILL ASSUME CUSTODY AND CONTROL THAT THIS DOCUMENT WILL NOT BE COPIED, REPRODUCED OR DISCLOSED WITHOUT THE EXPRESS WRITTEN CONSENT OF HELICAL. POSSESSION OF THIS DOCUMENT DOES NOT CONSTITUTE A GRANT TO MANUFACTURE ANY ITEMS.

**ADDITIONAL BORE SIZES AVAILABLE UPON REQUEST**

APPROVALS	DATE	HELICAL PRODUCTS CO., INC P.O. BOX 1069 SANTA MARIA, CA. 93456 U.S.A PHONE (805) 928-3851 FSCI3201
DRAWN		
CHECKED		
PRODN		
ISSUED	7/6/2012 9:13:55 AM	TITLE <b>HELICAL FLEXIBLE SHAFT COUPLING</b> <b>TABULATED BORE SIZES</b> DWG NO <b>WAC30</b>

Printed 7/6/2012 9:17:02 AM by JulesJ