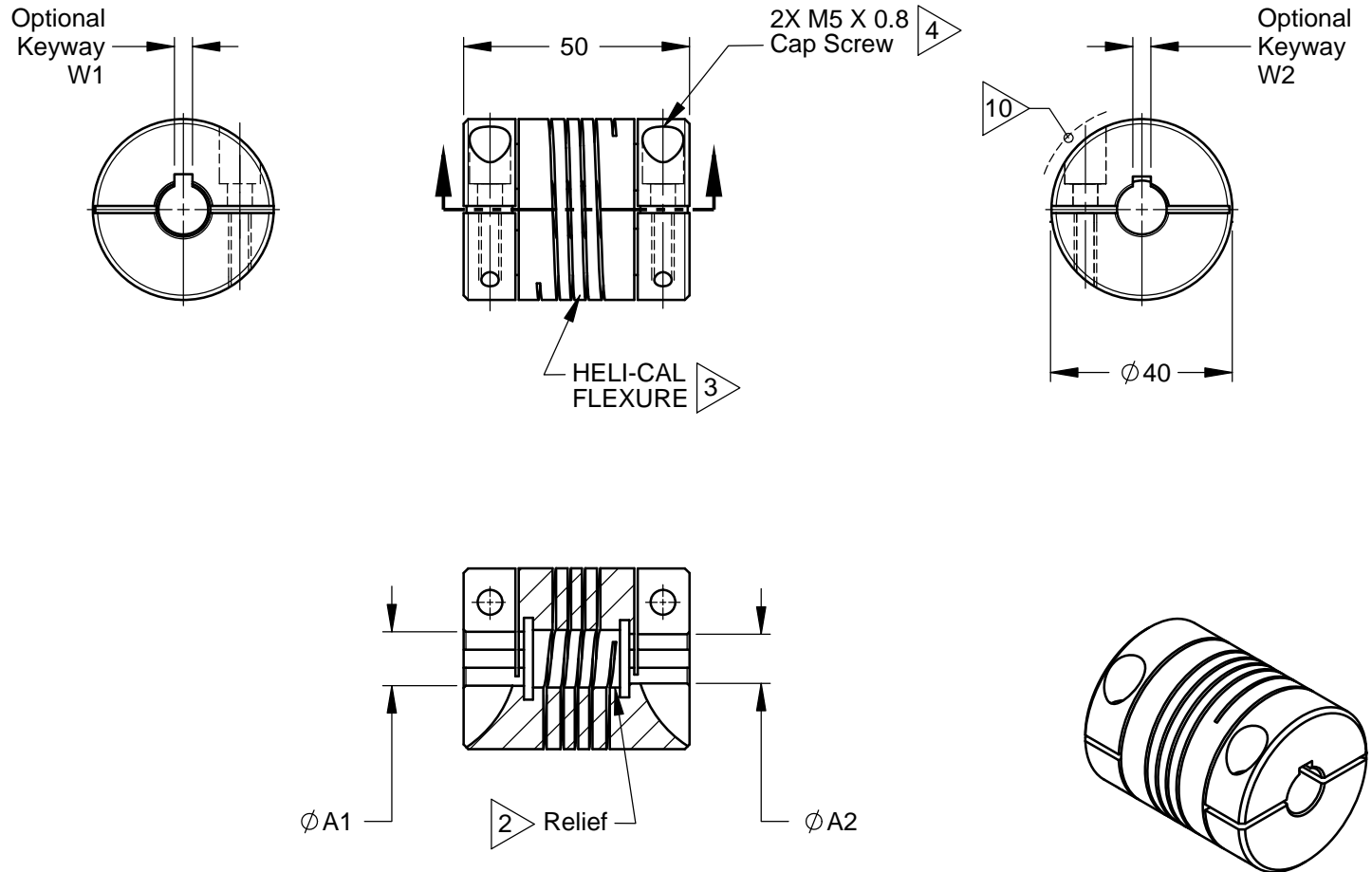


NOTES:

- 1 Refer to Secondary Sheets for Tabulated Data.
- 2 Relief permits component shafts to near butt except shaft penetration for bores > ϕ 16.00 is 15.50.
- 3 Hubs and HELI-CAL FLEXURE are made from a single piece of material.
- 4 Optional Keyway(s) with Integral Clamp attachment, ISO std., hex. socket, cap screw furnished: both hubs.
- 5 Backlash: None. No lubrication required.
- 6 Permitted axial motion from free length: ± 0.25
- 7 RPM: Up to 10,000, depending upon application.
- 9 Working torque ratings are based upon continuous duty with noted misalignments applied separately and may be increased with improved alignment.
- 9 Permissible shaft misalignment:
Angular, up to 5°
Offset, up to 0.25 (FIM, 0.50)
- 10 Part will have a ϕ 46.04 clearance diameter on both ends for any bore > ϕ 18.52 thru ϕ 24.80.




NOTICE: THE INFORMATION AND DATA CONTAINED HEREIN IS CONSIDERED PROPRIETARY TO HELICAL PRODUCTS COMPANY, AND SHALL REMAIN THE EXCLUSIVE PROPERTY OF HELICAL. THE HOLDER WILL ASSUME CUSTODY AND CONTROL THAT THIS DOCUMENT WILL NOT BE COPIED, REPRODUCED OR DISCLOSED WITHOUT THE EXPRESS WRITTEN CONSENT OF HELICAL. POSSESSION OF THIS DOCUMENT DOES NOT CONSTITUTE A GRANT TO MANUFACTURE ANY ITEM. Copyright HELICAL PRODUCTS CO.

09-28-12	---	Redrawn in Solidworks	JAJ	MH/EK
01-25-10	---	Revised IAW ECR#09121602	JAJ	HG
DATE	LTR	REVISION	APVR	

Unless otherwise specified all tolerances and dimensions are in millimeters.

Inch	Metric
X/XX \pm 1/64	X \pm 0.5mm
.XX \pm .01	X.X \pm 0.25mm
.XXX \pm .005	X.XX \pm 0.15mm
Angles \pm 2°	

Break sharp corners 0.25 MAX
All surface finish 63 roughness
Do Not Scale Drawing



901 West McCoy Lane
SANTA MARIA, CA. 93456 U.S.A.
PHONE (805) 928-3851 FSC13201

DRAWN BY BJM	DATE 09-10-99	TITLE HELICAL FLEXIBLE SHAFT COUPLING
CHECKED BY MC	DATE 09-20-99	MATL 7075-T6 Aluminum Alloy
APPRVD BY DH	DATE 09-28-99	FINISH Anodize IAW HPS1000
WEIGHT (calculated) 145g		DRAWING NUMBER WAC40
SHEET 1 of 3		REV

TABULATED DATA

Copyright HELICAL PRODUCTS CO

MATERIAL: 7075-T6 Aluminum Alloy

FINISH: Anodize IAW HPS1000

Drawing Number

WAC40

REV

DO NOT SCALE DRAWING

SHT 2 of 3

ITEM DESCRIPTION (Part Number)	BORE SIZES		TORQUES (Nm)			KEYWAY Width	
	TOLERANCE +.002in or +0.05mm -.000 0		Momentary Dynamic	Non- Reversing	Reversing	TOLERANCE +.002in or +0.05mm -.000in or 0	
	Ø A1	Ø A2				W1	W2
WAC40-12mmQ4-6mmQ2	12.00mm	6.00mm	12	6.0	3.0	4.00mm	2.00mm
WAC40-12mm-9mm	12.00mm	9.00mm	12	6.0	3.0	----	----
WAC40-12mm-12	12.00mm	.375in	12	6.0	3.0	----	----
WAC40-12mmQ4-12K1	12.00mm	.375in	12	6.0	3.0	4.00mm	.094in
WAC40-12mm-10mm	12.00mm	10.00mm	12	6.0	3.0	----	----
WAC40-12mmQ4-11mmQ4	12.00mm	11.00mm	12	6.0	3.0	4.00mm	4.00mm
WAC40-12mm-12mm	12.00mm	12.00mm	12	6.0	3.0	----	----
WAC40-12mmQ4-12mmQ4	12.00mm	12.00mm	12	6.0	3.0	4.00mm	4.00mm
WAC40-16-8mm	.500in	8.00mm	12	6.0	3.0	----	----
WAC40-16-10mm	.500in	10.00mm	12	6.0	3.0	----	----
WAC40-16-12mm	.500in	12.00mm	12	6.0	3.0	----	----
WAC40-16-16	.500in	.500in	12	6.0	3.0	----	----
WAC40-13mm-8mm	13.00mm	8.00mm	11	6.0	3.0	----	----
WAC40-13mm-13mm	13.00mm	13.00mm	11	6.0	3.0	----	----
WAC40-14mm-8mm	14.00mm	8.00mm	11	5.0	3.0	----	----
WAC40-14mmQ5-8mmQ2	14.00mm	8.00mm	11	5.0	3.0	5.00mm	2.00mm
WAC40-14mmQ5-9mm	14.00mm	9.00mm	11	5.0	3.0	5.00mm	----
WAC40-14mm-12	14.00mm	.375in	11	5.0	3.0	----	----
WAC40-14mmQ5-12	14.00mm	.375in	11	5.0	3.0	5.00mm	----
WAC40-14mm-10mm	14.00mm	10.00mm	11	5.0	3.0	----	----
WAC40-14mmQ5-10mm	14.00mm	10.00mm	11	5.0	3.0	5.00mm	----
WAC40-14mm-11mm	14.00mm	11.00mm	11	5.0	3.0	----	----
WAC40-14mmQ5-11mmQ4	14.00mm	11.00mm	11	5.0	3.0	5.00mm	4.00mm
WAC40-14mm-12mm	14.00mm	12.00mm	11	5.0	3.0	----	----
WAC40-14mm-16	14.00mm	.500in	11	5.0	3.0	----	----
WAC40-14mm-14mm	14.00mm	14.00mm	11	5.0	3.0	5.00mm	5.00mm
WAC40-14mmQ5-14mmQ5	14.00mm	14.00mm	11	5.0	3.0	----	----
WAC40-14mm-16mm	14.00mm	16.00mm	11	5.0	3.0	----	----
WAC40-15mm-5mm	15.00mm	5.00mm	10	5.0	3.0	----	----
WAC40-15mm-8mm	15.00mm	8.00mm	10	5.0	3.0	----	----
WAC40-15mm-10mm	15.00mm	10.00mm	10	5.0	3.0	----	----
WAC40-15mm-12mm	15.00mm	12.00mm	10	5.0	3.0	----	----
WAC40-15mm-16	15.00mm	.500in	10	5.0	3.0	----	----
WAC40-15mm-14mm	15.00mm	14.00mm	10	5.0	3.0	----	----
WAC40-15mm-15mm	15.00mm	15.00mm	10	5.0	3.0	----	----
WAC40-15mmQ5-15mmQ5	15.00mm	15.00mm	10	5.0	3.0	5.00mm	5.00mm
WAC40-20-8mm	.625in	8.00mm	9.8	4.9	2.5	----	----
WAC40-20-12	.625in	.375in	9.8	4.9	2.5	----	----
WAC40-20-10mm	.625in	10.00mm	9.8	4.9	2.5	----	----
WAC40-20-11mm	.625in	11.00mm	9.8	4.9	2.5	----	----

TABULATED DATA

Copyright HELICAL PRODUCTS CO

MATERIAL: 7075-T6 Aluminum Alloy

FINISH: Anodize IAW HPS1000

Drawing Number

WAC40

REV

DO NOT SCALE DRAWING

SHT 3 of 3

ITEM DESCRIPTION (Part Number)	BORE SIZES		TORQUES (Nm)			KEYWAY Width	
	TOLERANCE +0.002in or +0.05mm -0.000 0		Momentary Dynamic	Non- Reversing	Reversing	TOLERANCE +0.002in or +0.05mm -0.000in or 0	
	Ø A1	Ø A2				W1	W2
WAC40-16mm-8mm	16.00mm	8.00mm	9.7	4.9	2.4	----	----
WAC40-16mm-16	16.00mm	.500in	9.7	4.9	2.4	----	----
WAC40-16mm-10mm	16.00mm	10.00mm	9.7	4.9	2.4	----	----
WAC40-16mm-10.8mm	16.00mm	10.80mm	9.7	4.9	2.4	----	----
WAC40-16mm-11mm	16.00mm	11.00mm	9.7	4.9	2.4	----	----
WAC40-16mm-12mm	16.00mm	12.00mm	9.7	4.9	2.4	----	----
WAC40-16mmQ5-12mmQ4	16.00mm	12.00mm	9.7	4.9	2.4	5.00mm	4.00mm
WAC40-16mm-14mm	16.00mm	14.00mm	9.7	4.9	2.4	----	----
WAC40-16mmQ5-14mmQ5	16.00mm	14.00mm	9.7	4.9	2.4	5.00mm	5.00mm
WAC40-16mm-15mm	16.00mm	15.00mm	9.7	4.9	2.4	----	----
WAC40-16mm-16mm	16.00mm	16.00mm	9.7	4.9	2.4	----	----
WAC40-16mmQ5-16mmQ5	16.00mm	16.00mm	9.7	4.9	2.4	5.00mm	5.00mm
WAC40-17mm-16	17.00mm	.500in	9.7	4.9	2.4	---	---
WAC40-17mm-10mm	17.00mm	10.00mm	9.7	4.9	2.4	---	---
WAC40-17mm-12mm	17.00mm	12.00mm	9.7	4.9	2.4	---	---
WAC40-18mm-12mm	18.00mm	12.00mm	9.7	4.9	2.4	---	---
WAC40-18mm-15mm	18.00mm	15.00mm	9.7	4.9	2.4	---	---
WAC40-19mm-8mm	19.00mm	8.00mm	9.7	4.9	2.4	---	---
WAC40-19mmQ6-8mmQ2	19.00mm	8.00mm	9.7	4.9	2.4	6.00mm	2.00mm
WAC40-19mm-10mm	19.00mm	10.00mm	9.7	4.9	2.4	----	----
WAC40-19mm-11mm	19.00mm	11.00mm	9.7	4.9	2.4	----	----
WAC40-19mm-14	19.00mm	.438in	9.7	4.9	2.4	----	----
WAC40-19mm-14mm	19.00mm	14.00mm	9.7	4.9	2.4	----	----
WAC40-19mm-17.8mm	19.00mm	17.80mm	9.7	4.9	2.4	----	----
WAC40-19mm-19mm	19.00mm	19.00mm	9.7	4.9	2.4	----	----
WAC40-24-12mm	.750in	12.00mm	9.7	4.9	2.4	----	----
WAC40-20mm-12	20.00mm	.375in	9.7	4.9	2.4	----	----
WAC40-20mm-10mm	20.00mm	10.00mm	9.7	4.9	2.4	----	----
WAC40-20mm-16mm	20.00mm	16.00mm	9.7	4.9	2.4	----	----
WAC40-20mm-20mm	20.00mm	20.00mm	9.7	4.9	2.4	----	----
WAC40-20.5mm-8mm	20.50mm	8.00mm	9.7	4.9	2.4	----	----
WAC40-24mm-10mm	24.00mm	10.00mm	9.7	4.9	2.4	----	----
WAC40-24mm-14mm	24.00mm	14.00mm	9.7	4.9	2.4	----	----