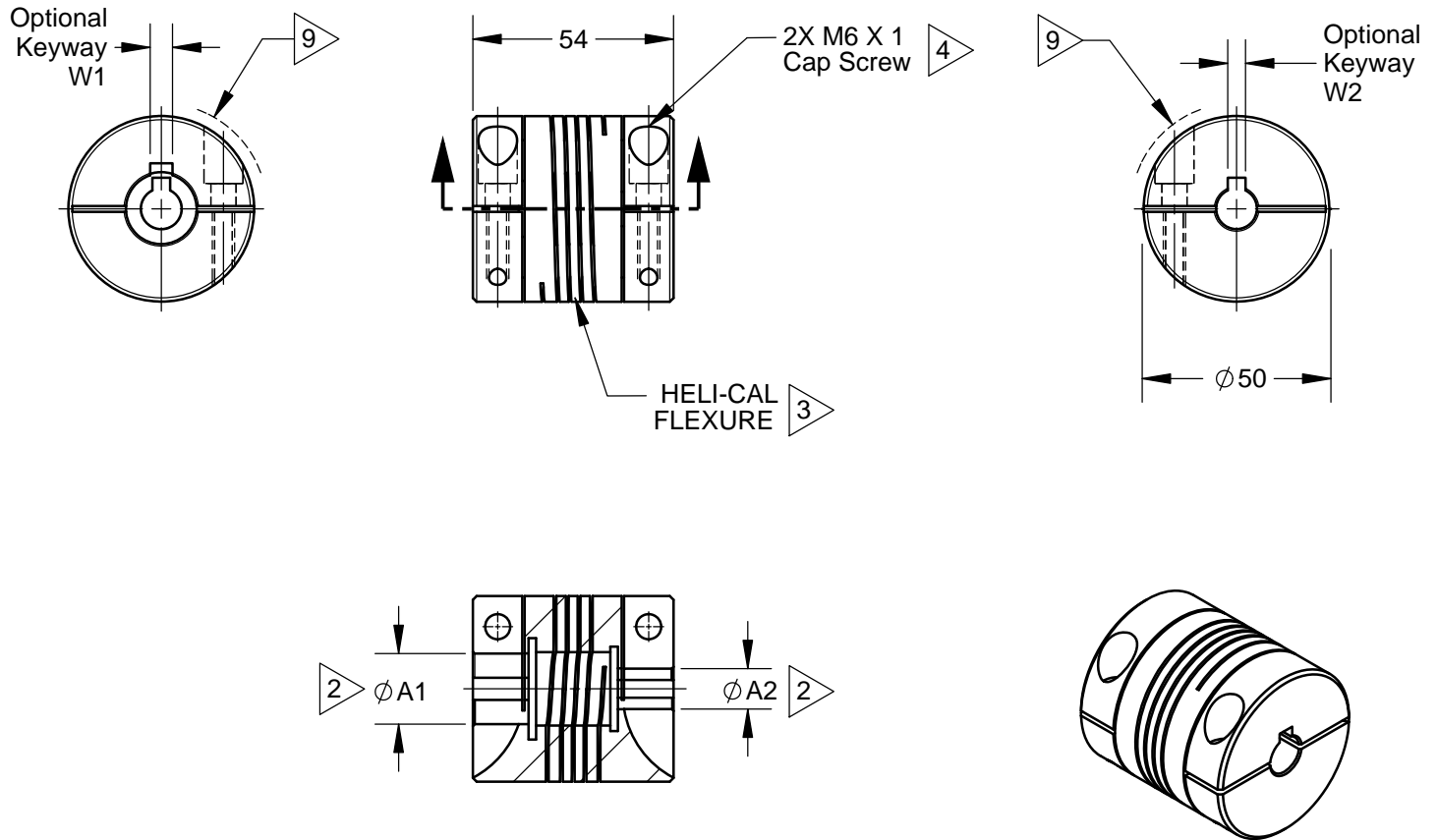


NOTES:

- 1 Refer to Secondary Sheet for Tabulated Data.
- 2  $\phi A1$  and  $\phi A2$  shafts may near butt except:  
 When any Bore  $> \phi 20.00$  the component shaft MAX penetration is 16.89  
 or  
 when both Bores  $> \phi 20.00$  the component shaft MAX penetration is 16.89 & the MIN shaft end to shaft end is 20.22.
- 3 Hubs and HELI-CAL FLEXURE are made from a single piece of material.
- 4 Integral Clamp attachment, hex. socket, ISO std., cap screw furnished: both hubs.
- 5 Backlash: None. No lubrication required.
- 6 Permitted axial motion from free length:  $\pm 0.25$
- 7 RPM: Up to 10,000, depending upon application.
- 8 Working torque ratings are based upon continuous duty with noted misalignments applied separately and may be increased with improved alignment: Refer to Tabulated Data
- 9 Permissible shaft misalignment:  
 Angular, up to  $5^\circ$   
 Offset, up to 0.25 (FIM, 0.50)
- 10 Part will have a  $\phi 56.85$  clearance on both ends when any Bore  $> \phi 25.00$  thru  $\phi 32.11$ .
- 11 Weight based on WAC50-24K4-11mmQ4



NOTICE: THE INFORMATION AND DATA CONTAINED HEREIN IS CONSIDERED PROPRIETARY TO HELICAL PRODUCTS COMPANY, AND SHALL REMAIN THE EXCLUSIVE PROPERTY OF HELICAL. THE HOLDER WILL ASSUME CUSTODY AND CONTROL THAT THIS DOCUMENT WILL NOT BE COPIED, REPRODUCED OR DISCLOSED WITHOUT THE EXPRESS WRITTEN CONSENT OF HELICAL. POSSESSION OF THIS DOCUMENT DOES NOT CONSTITUTE A GRANT TO MANUFACTURE ANY ITEM. Copyright HELICAL PRODUCTS CO.

11-25-14	---	ECR#14102000 Added calc. weight	DCE	EK
08-13-13	---	Redrawn in Solidworks	CL	JAJ/EK
12-01-09	---	Finish was Chromic Acid Anodize; Updated GD&T	HG	MC
DATE	LTR	REVISION	APVR	

Unless otherwise specified all tolerances and dimensions are in millimeters.

Inch	Metric
X/XX $\pm$ 1/64	X $\pm$ 0.5mm
.XX $\pm$ .01	X.X $\pm$ 0.25mm
.XXX $\pm$ .005	X.XX $\pm$ 0.15mm

Angles  $\pm 2^\circ$

Break sharp corners 0.25 MAX  
 All surface finish 63 roughness  
 Do Not Scale Drawing



# HELICAL

PRODUCTS COMPANY

901 West McCoy Lane  
 SANTA MARIA, CA. 93456 U.S.A.  
 PHONE (805) 928-3851 FSC13201

DRAWN BY BJM	DATE 09-10-99	TITLE HELICAL FLEXIBLE SHAFT COUPLING
CHECKED BY MC	DATE 09-20-99	MATL 7075-T6 Aluminum Alloy
APPRVD BY DH	DATE 09-28-99	FINISH Anodize IAW HPS1000
WEIGHT (calculated) 224 g		DRAWING NUMBER <b>WAC50</b>
SHEET 1 of 3		REV

# TABULATED DATA

Copyright HELICAL PRODUCTS CO

MATERIAL: 7075-T6 Aluminum Alloy

FINISH: Anodize IAW HPS1000

Drawing Number

**WAC50**

REV

DO NOT SCALE DRAWING

SHT 2 of 3

ITEM DESCRIPTION (Part Number)	BORE SIZES		TORQUES (Nm)			KEYWAY Width	
	TOLERANCE		Momentary Dynamic	Non- Reversing	Shock or Reversing	TOLERANCE	
	$\phi A1$	$\phi A2$				$\begin{matrix} +.002in \\ -.000in \end{matrix}$	$\begin{matrix} +.05mm \\ 0 \end{matrix}$
WAC50-14mm-10mm	14.00mm	10.00mm	19	10	5	---	---
WAC50-14mm-11mm	14.00mm	11.00mm	19	10	5	---	---
WAC50-14mm-14mm	14.00mm	14.00mm	19	10	5	---	---
WAC50-15mm-10mm	15.00mm	10.00mm	19	9	5	---	---
WAC50-20-10	.625in	.313in	18	9	5	---	---
WAC50-16mm-16	16.00mm	.500in	18	9	5	---	---
WAC50-16mm-14mm	16.00mm	14.00mm	18	9	5	---	---
WAC50-16mm-20	16.00mm	.625in	18	9	5	---	---
WAC50-16mm-16mm	16.00mm	16.00mm	18	9	5	---	---
WAC50-16mmQ5-16mmQ5	16.00mm	16.00mm	18	9	5	5.00mm	5.00mm
WAC50-17mm-17mm	17.00mm	17.00mm	17	8	4	---	---
WAC50-18mm-10mm	18.00mm	10.00mm	17	8	4	---	---
WAC50-18mm-12mm	18.00mm	12.00mm	17	8	4	---	---
WAC50-18mm-16	18.00mm	.500in	17	8	4	---	---
WAC50-18mmQ6-16	18.00mm	.500in	17	8	4	6.00mm	---
WAC50-18mm-16mm	18.00mm	16.00mm	17	8	4	---	---
WAC50-18mm-18mm	18.00mm	18.00mm	17	8	4	---	---
WAC50-19mm-10mm	19.00mm	10.00mm	17	8	4	---	---
WAC50-19mm-11mm	19.00mm	11.00mm	17	8	4	---	---
WAC50-19mm-12mm	19.00mm	12.00mm	17	8	4	---	---
WAC50-19mmQ6-12mmQ4	19.00mm	12.00mm	17	8	4	6.00mm	4.00mm
WAC50-19mm-16	19.00mm	.500in	17	8	4	---	---
WAC50-19mm-14mm	19.00mm	14.00mm	17	8	4	---	---
WAC50-19mmQ6-20K4	19.00mm	.625in	17	8	4	6.00mm	.188in
WAC50-19mm-16mm	19.00mm	16.00mm	17	8	4	---	---
WAC50-19mm-19mm	19.00mm	19.00mm	17	8	4	---	---
WAC50-24K4-11mmQ4	.750in	11.00mm	17	8	4	.188in	4.00mm
WAC50-20mm-10mm	20.00mm	10.00mm	17	8	4	---	---
WAC50-20mm-12mm	20.00mm	12.00mm	17	8	4	---	---
WAC50-20mm-14mm	20.00mm	14.00mm	17	8	4	---	---
WAC50-20mm-15mm	20.00mm	15.00mm	17	8	4	---	---
WAC50-20mm-16mm	20.00mm	16.00mm	17	8	4	---	---
WAC50-20mmQ6-16mmQ5	20.00mm	16.00mm	17	8	4	6.00mm	5.00mm
WAC50-20mm-19mm	20.00mm	19.00mm	17	8	4	---	---
WAC50-20mm-20mm	20.00mm	20.00mm	17	8	4	---	---

# TABULATED DATA

Copyright HELICAL PRODUCTS CO

MATERIAL: 7075-T6 Aluminum Alloy

FINISH: Anodize IAW HPS1000

Drawing Number

**WAC50**

REV

DO NOT SCALE DRAWING

SHT 3 of 3

ITEM DESCRIPTION (Part Number)	BORE SIZES		TORQUES (Nm)			KEYWAY Width	
	TOLERANCE		Momentary Dynamic	Non- Reversing	Shock or Reversing	TOLERANCE	
	$\phi A1$	$\phi A2$				W1	W2
WAC50-22mm-16	22.00mm	.500in	17	8	4	---	---
WAC50-22mm-16mm	22.00mm	16.00mm	17	8	4	---	---
WAC50-22mm-19mm	22.00mm	19.00mm	17	8	4	---	---
WAC50-22mm-20mm	22.00mm	20.00mm	17	8	4	---	---
WAC50-22mmQ6-20mmQ6	22.00mm	20.00mm	17	8	4	6.00mm	6.00mm
WAC50-24mmQ8-12mmQ6	24.00mm	12.00mm	17	8	4	8.00mm	6.00mm
WAC50-24mm-14mm	24.00mm	14.00mm	17	8	8	---	---
WAC50-24mmQ8-20K4	24.00mm	.625in	17	8	4	8.00mm	.188in
WAC50-24mm-19mm	24.00mm	19.00mm	17	8	4	---	---
WAC50-25mm-12	25.00mm	.375in	17	8	4	---	---
WAC50-25mm-16mm	25.00mm	16.00mm	17	8	4	---	---
WAC50-25mm-22mm	25.00mm	22.00mm	17	8	4	---	---
WAC50-25mm-25mm	25.00mm	25.00mm	17	8	4	---	---
WAC50-32-20	1.000in	.625in	17	8	4	---	---
WAC50-32-24K4	1.000in	.750in	17	8	4	---	.188in
WAC50-26mm-14mm	26.00mm	14.00mm	17	8	4	---	---
WAC50-26mm-16mm	26.00mm	16.00mm	17	8	4	---	---
WAC50-BLANK	---	---	17	8	4	---	---
WAC50-BLANK(NON-STD)	---	---	17	8	4	---	---