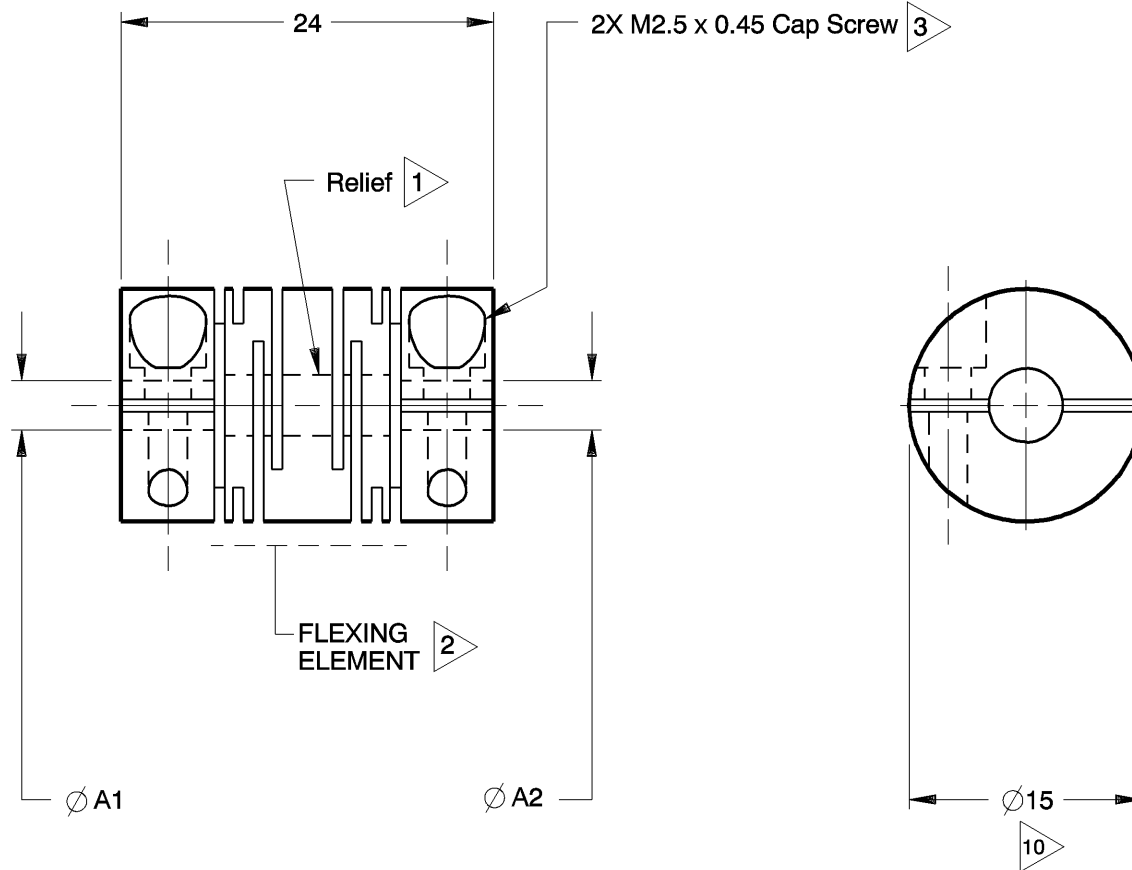


NOTES: See Tabulated Sheet

- 1 Relief permits component shafts to near butt.
- 2 Hubs and flexing elements are made from a single piece of material.
- 3 Integral Clamp attachment, hex. socket, ISO std., cap screw furnished: both hubs.
- 4 Backlash: None. No lubrication required.
- 5 Permitted axial motion from free length: $\pm 0.25\text{mm}$
- 6 RPM: Up to 10,000, depending upon application.
- 7 Working torque: 0.30Nm
- 8 Torsional stiffness: 1.13 deg/Nm
- 9 Permissible shaft misalignment:
Angular, up to 3 degrees
Offset, up to 0.10mm (TIR, 0.20mm)
- 10 Clearance Diameter: 17.54mm



XCA15-4-4 SHOWN

NOTICE: THE INFORMATION AND DATA CONTAINED HEREIN IS CONSIDERED PROPRIETARY TO HELICAL PRODUCTS COMPANY, INC., AND SHALL REMAIN THE EXCLUSIVE PROPERTY OF HELICAL. THE HOLDER WILL ASSUME CUSTODY AND CONTROL THAT THIS DOCUMENT WILL NOT BE COPIED, REPRODUCED OR DISCLOSED WITHOUT THE EXPRESS WRITTEN CONSENT OF HELICAL. POSSESSION OF THIS DOCUMENT DOES NOT CONSTITUTE A GRANT TO MANUFACTURE ANY ITEMS.

DO NOT SCALE DRAWING.

01-25-10	---	Added FLEXING ELEMENT, Finish was Chromic Acid Anodize, Type I; Updated GD&T	JAJ	HG	Unless otherwise noted dimensions in millimeters. Tolerances are: Decimals: X \pm .5mm X.X \pm .25mm X.XX \pm .15mm Angles: \pm 2 degrees Break sharp corners .25mm max.	APPROVALS	DATE	<p>HELICAL PRODUCTS CO., INC. P.O. BOX 1069 SANTA MARIA, CA. 93456 U.S.A PHONE (805) 928-3851 FSC13201</p>
						DRAWN	BJM	
CHECKED	MC	12-20-99	TITLE	HELICAL FLEXIBLE SHAFT COUPLING				
PRODN	DH	12-20-99	MATERIAL	7075-T6 Aluminum Alloy				
ISSUED			FINISH	Anodize per HPS1000				
WEIGHT	9.2g (calc)		SCALE	2/1				
SCALE	2/1	SIZE	A	DWG NO	XCA15			

ADDITION DATE	PART NUMBER	BORE TOLERANCES		COMMENTS	A1	A2
		∅A1	∅A2			
8 DEC 99	XCA15-3mm-3mm	3.00mm	3.00mm			
8 DEC 99	XCA15-4mm-3mm	4.00mm	3.00mm			
8 DEC 99	XCA15-4mm-4mm	4.00mm	4.00mm			
8 DEC 99	XCA15-5mm-3mm	5.00mm	3.00mm			
8 DEC 99	XCA15-5mm-4mm	5.00mm	4.00mm			
8 DEC 99	XCA15-5mm-5mm	5.00mm	5.00mm			
8 DEC 99	XCA15-6mm-3mm	6.00mm	3.00mm			
8 DEC 99	XCA15-6mm-4mm	6.00mm	4.00mm			
8 DEC 99	XCA15-6mm-5mm	6.00mm	5.00mm			
8 DEC 99	XCA15-6mm-6mm	6.00mm	6.00mm			
8 DEC 99	XCA15-4-4	.125in	.125in			
8 DEC 99	XCA15-6-4	.188in	.125in			
8 DEC 99	XCA15-6-6	.188in	.188in			
8 DEC 99	XCA15-6mm-6	6.00mm	.188in			
8 DEC 99	XCA15-6-5	.188in	.157in			
22 MAR 02	XCA15-3mm-2mm	3.00mm	2.00mm			
22 MAR 02	XCA15-3mm-3M	3.00mm	.090in			
28 MAR 02	XCA15-5mm-6	5.00mm	.188in			
19 DEC 02	XCA15-6-3mm	.188in	3.00mm			
2 SEP 05	XCA15-6mm-3mm	6.00mm	3.00mm			
3 JAN 08	XCA15-5mm-2.5mm	5.00mm	2.50mm			

NOTICE: THE INFORMATION AND DATA CONTAINED HEREIN IS CONSIDERED PROPRIETARY TO HELICAL PRODUCTS COMPANY, INC., AND SHALL REMAIN THE EXCLUSIVE PROPERTY OF HELICAL. THE HOLDER WILL ASSUME CUSTODY AND CONTROL THAT THIS DOCUMENT WILL NOT BE COPIED, REPRODUCED OR DISCLOSED WITHOUT THE EXPRESS WRITTEN CONSENT OF HELICAL. POSSESSION OF THIS DOCUMENT DOES NOT CONSTITUTE A GRANT TO MANUFACTURE ANY ITEMS.

APPROVALS	DATE	HELICAL PRODUCTS CO. INC P.O. BOX 1069 SANTA MARIA, CA. 93456 U.S.A PHONE (805) 928-3851 FSCI3201
DRAWN BJM	12-8-99	
CHECKED MC	12-13-99	TITLE HELICAL FLEXIBLE SHAFT COUPLING
PRODN DH	12-20-99	TABULATED BORE SIZES
ISSUED		DWG NO XCA15
		REV