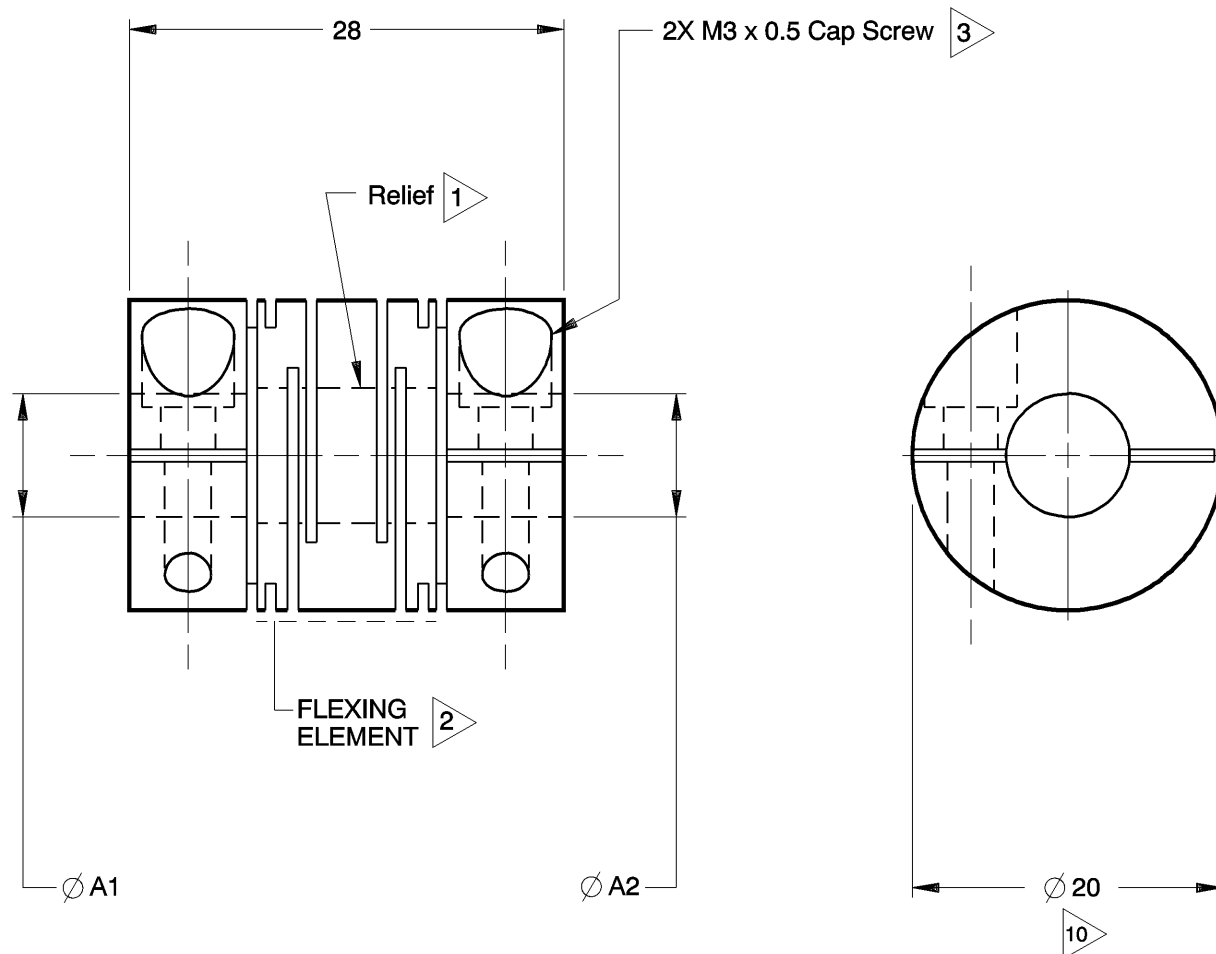


NOTES: See Tabulated Sheet

- 1 Relief permits component shafts to near butt.
- 2 Hubs and flexing elements are made from a single piece of material.
- 3 Integral Clamp attachment, hex. socket, ISO std., cap screw furnished: both hubs.
- 4 Backlash: None. No lubrication required.
- 5 Permitted axial motion from free length: $\pm 0.25\text{mm}$
- 6 RPM: Up to 10,000, depending upon application.
- 7 Working torque: 0.50Nm
- 8 Torsional stiffness: 0.46 deg/Nm
- 9 Permissible shaft misalignment:
Angular, up to 3 degrees
Offset, up to 0.10mm (TIR, 0.20mm)
- 10 Clearance Diameter: 21.8mm



XCA20-8mm-8mm SHOWN

NOTICE: THE INFORMATION AND DATA CONTAINED HEREIN IS CONSIDERED PROPRIETARY TO HELICAL PRODUCTS COMPANY, INC., AND SHALL REMAIN THE EXCLUSIVE PROPERTY OF HELICAL. THE HOLDER WILL ASSUME CUSTODY AND CONTROL THAT THIS DOCUMENT WILL NOT BE COPIED, REPRODUCED OR DISCLOSED WITHOUT THE EXPRESS WRITTEN CONSENT OF HELICAL. POSSESSION OF THIS DOCUMENT DOES NOT CONSTITUTE A GRANT TO MANUFACTURE ANY ITEMS.

DO NOT SCALE DRAWING.

01-25-10	---	Added FLEXING ELEMENT, Finish was Chromic Acid Anodize, Type I; Updated GD&T	JAJ	HG	Unless otherwise noted dimensions in millimeters. Tolerances are: Decimals: X \pm .5mm X.X \pm .25mm X.XX \pm .15mm Angles: \pm 2 degrees Break sharp corners .25mm max.	APPROVALS	DATE	<p>HELICAL PRODUCTS CO. P.O. BOX 1069 SANTA MARIA, CA. 93456 U.S.A PHONE (805) 928-3851 FSC13201</p>
						DRAWN	BJM	
CHECKED	MC	12-13-99						
PRODN	DH	12-20-99						
ISSUED								
WEIGHT	20g (calc)							
SCALE	2/1	SIZE	A	TITLE	HELICAL FLEXIBLE SHAFT COUPLING			
DATE	LTR	REVISION	CHK	MATERIAL	7075-T6 Aluminum Alloy			
				FINISH	Anodize per HPS1000			
				DWG NO	XCA20			

ADDITION DATE	PART NUMBER	BORE TOLERANCES		COMMENTS	A1	A2
		∅A1	∅A2			
8 DEC 99	XCA20-4mm-4mm	4.00mm	4.00mm			
8 DEC 99	XCA20-5mm-4mm	5.00mm	4.00mm			
8 DEC 99	XCA20-5mm-5mm	5.00mm	5.00mm			
8 DEC 99	XCA20-6mm-4mm	6.00mm	4.00mm			
8 DEC 99	XCA20-6mm-5mm	6.00mm	5.00mm			
8 DEC 99	XCA20-6mm-6mm	6.00mm	6.00mm			
8 DEC 99	XCA20-8mm-4mm	8.00mm	4.00mm			
8 DEC 99	XCA20-8mm-5mm	8.00mm	5.00mm			
8 DEC 99	XCA20-8mm-6mm	8.00mm	6.00mm			
8 DEC 99	XCA20-8mm-8mm	8.00mm	8.00mm			
8 DEC 99	XCA20-6-6	.188in	.188in			
8 DEC 99	XCA20-8-4	.250in	.125in			
8 DEC 99	XCA20-8-6	.250in	.188in			
8 DEC 99	XCA20-8-8	.250in	.250in			
8 DEC 99	XCA20-10-6	.313in	.188in			
8 DEC 99	XCA20-10-8	.313in	.250in			
8 DEC 99	XCA20-10-10	.313in	.313in			
8 DEC 99	XCA20-8-4mm	.250in	4.00mm			
8 DEC 99	XCA20-8-6mm	.250in	6.00mm			
20 DEC 99	XCA20-8-3mm	.250in	3.00mm			
10 JUL 00	XCA20-8mm-5	8.00mm	.157in			
13 MAR 01	XCA20-8-5mm	.250in	5.00mm			
18 APR 01	XCA20-5mm-3mm	5.00mm	3.00mm			
18 APR 01	XCA20-5mm-4mm	5.00mm	4.00mm			
28 MAR 02	XCA20-5mm-6	5.00mm	.188in			
21 NOV 02	XCA20-6-4mm	.188in	4.00mm			
22 SEP 03	XCA20-8mm-8	8.00mm	.250in			
1 OCT 03	XCA20-8-4.95mm	.250in	4.95mm			
19 JUL 16	XCA20-10-7mm	.313in	7.00mm			

NOTICE: THE INFORMATION AND DATA CONTAINED HEREIN IS CONSIDERED PROPRIETARY TO HELICAL PRODUCTS COMPANY, INC., AND SHALL REMAIN THE EXCLUSIVE PROPERTY OF HELICAL. THE HOLDER WILL ASSUME CUSTODY AND CONTROL THAT THIS DOCUMENT WILL NOT BE COPIED, REPRODUCED OR DISCLOSED WITHOUT THE EXPRESS WRITTEN CONSENT OF HELICAL. POSSESSION OF THIS DOCUMENT DOES NOT CONSTITUTE A GRANT TO MANUFACTURE ANY ITEMS.

APPROVALS	DATE	HELICAL PRODUCTS CO.	
DRAWN BJM	12-8-99	P.O. BOX 1069 SANTA MARIA, CA. 93456 U.S.A PHONE (805) 928-3851 FSCI3201	
CHECKED MC	12-13-99	TITLE	HELICAL FLEXIBLE SHAFT COUPLING
PRODN DH	12-20-99	TABULATED BORE SIZES	
ISSUED		DWG NO	XCA20
			REV