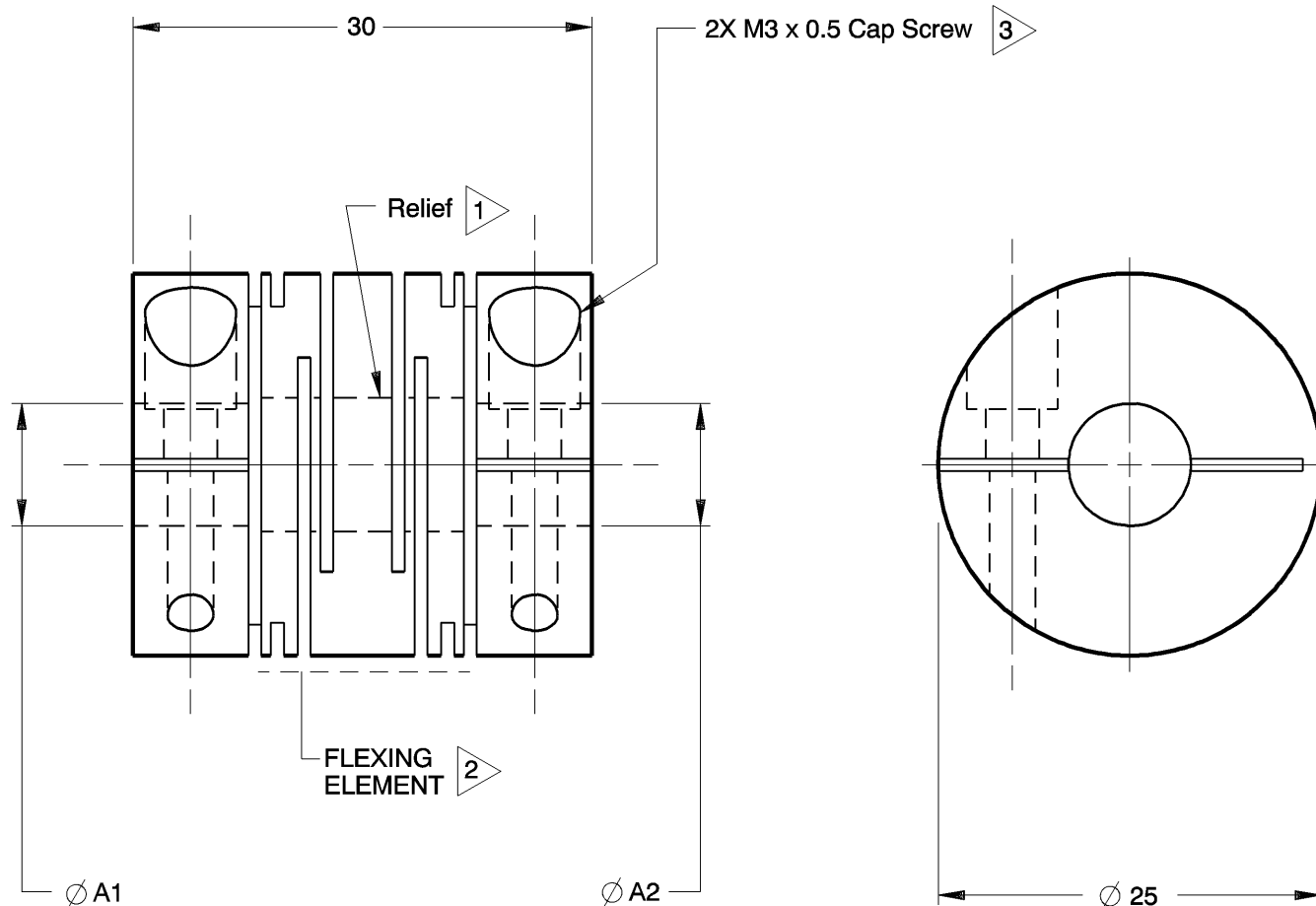


NOTES: See Tabulated Sheet

- 1 Relief permits component shafts to near butt.
- 2 Hubs and flexing elements are made from a single piece of material.
- 3 Integral Clamp attachment, hex. socket, ISO std., cap screw furnished: both hubs.
- 4 Backlash: None. No lubrication required.
- 5 Permitted axial motion from free length: ± 0.25mm
- 6 RPM: Up to 10,000, depending upon application.
- 7 Working torque: 1.0Nm
- 8 Torsional stiffness: 0.22 deg/Nm
- 9 Permissible shaft misalignment:
Angular, up to 3 degrees
Offset, up to 0.15mm (TIR, 0.30mm)



XCA25-8mm-8mm SHOWN

NOTICE: THE INFORMATION AND DATA CONTAINED HEREIN IS CONSIDERED PROPRIETARY TO HELICAL PRODUCTS COMPANY, INC., AND SHALL REMAIN THE EXCLUSIVE PROPERTY OF HELICAL. THE HOLDER WILL ASSUME CUSTODY AND CONTROL THAT THIS DOCUMENT WILL NOT BE COPIED, REPRODUCED OR DISCLOSED WITHOUT THE EXPRESS WRITTEN CONSENT OF HELICAL. POSSESSION OF THIS DOCUMENT DOES NOT CONSTITUTE A GRANT TO MANUFACTURE ANY ITEMS.

DO NOT SCALE DRAWING.

01-25-10	---	Added FLEXING ELEMENT, Finish was Chromic Acid Anodize, Type I; Updated GD&T	JAJ	HG
DATE	LTR	REVISION	CHK	

Unless otherwise noted dimensions in millimeters.
Tolerances are:
Decimals: X ± .5mm
 X.X ± .25mm
 X.XX ± .15mm
Angles: ± 2 degrees
Break sharp corners .25mm max.

APPROVALS	DATE
DRAWN BJM	12-8-99
CHECKED MC	12-13-99
PRODN DH	12-20-99
ISSUED	
WEIGHT	35g (calc)
SCALE 2/1	SIZE A

<p>HELICAL PRODUCTS CO., INC. P.O. BOX 1069 SANTA MARIA, CA. 93456 U.S.A PHONE (805) 928-3851 FSC13201</p>		TITLE	HELICAL FLEXIBLE SHAFT COUPLING
		MATERIAL	7075-T6 Aluminum Alloy
		FINISH	Anodize per HPS1000
DWG NO		XCA25	

ADDITION DATE	PART NUMBER	BORE TOLERANCES		COMMENTS	A1	A2
		ϕ A1	ϕ A2			
8 DEC 99	XCA25-6mm-6mm	6.00mm	6.00mm			
8 DEC 99	XCA25-8mm-6mm	8.00mm	6.00mm			
8 DEC 99	XCA25-8mm-8mm	8.00mm	8.00mm			
8 DEC 99	XCA25-10mm-6mm	10.00mm	6.00mm			
8 DEC 99	XCA25-10mm-8mm	10.00mm	8.00mm			
8 DEC 99	XCA25-10mm-10mm	10.00mm	10.00mm			
8 DEC 99	XCA25-8-6	.250in	.188in			
8 DEC 99	XCA25-8-8	.250in	.250in			
8 DEC 99	XCA25-10-8	.313in	.250in			
8 DEC 99	XCA25-10-10	.313in	.313in			
8 DEC 99	XCA25-12-8	.375in	.250in			
8 DEC 99	XCA25-12-10	.375in	.313in			
8 DEC 99	XCA25-12-12	.375in	.375in			
8 DEC 99	XCA25-6mm-6	6.00mm	.188in			
8 DEC 99	XCA25-8mm-8	8.00mm	.250in			
8 DEC 99	XCA25-10mm-12	10.00mm	.375in			
8 DEC 99	XCA25-12-8mm	.375in	8.00mm			
8 DEC 99	XCA25-9mm-9mm	9.00mm	9.00mm			
8 DEC 99	XCA25-8-6mm	.250in	6.00mm			
8 DEC 99	XCA25-10mm-8	10.00mm	.250in			
19 JAN 00	XCA25-9mm-8mm	9.00mm	8.00mm			
12 APR 01	XCA25-6mm-5mm	6.00mm	5.00mm			
25 JUN 01	XCA25-10mm-5mm	10.00mm	5.00mm			
28 JUN 01	XCA25-8-5mm	.250in	5.00mm			
13 JUL 01	XCA25-8-12	.250in	.375in			
25 SEP 01	XCA25-12-6	.375in	.188in			
22 MAR 02	XCA25-8mm-10	8.00mm	.313in			
29 JAN 03	XCA25-8mm-5mm	8.00mm	5.00mm			
4 MAR 03	XCA25-8-4mm	.250in	4.00mm			
24 MAR 05	XCA25-8mm-6.5mm	8.00mm	6.50mm			
5 DEC 05	XCA25-12-6mm	.375in	6.00mm			
15 JUN 07	XCA25-8mm-6.74mm	8.00mm	6.74mm			
20 AUG 07	XCA25-9mm-8	9.00mm	.250in			
22 SEPT 10	XCA25-9mm-6mm	9.00mm	6.00mm			

NOTICE: THE INFORMATION AND DATA CONTAINED HEREIN IS CONSIDERED PROPRIETARY TO HELICAL PRODUCTS COMPANY, INC., AND SHALL REMAIN THE EXCLUSIVE PROPERTY OF HELICAL. THE HOLDER WILL ASSUME CUSTODY AND CONTROL THAT THIS DOCUMENT WILL NOT BE COPIED, REPRODUCED OR DISCLOSED WITHOUT THE EXPRESS WRITTEN CONSENT OF HELICAL. POSSESSION OF THIS DOCUMENT DOES NOT CONSTITUTE A GRANT TO MANUFACTURE ANY ITEMS.

APPROVALS	DATE	HELICAL PRODUCTS CO. INC	
DRAWN BJM	12-8-99	P.O. BOX 1069 SANTA MARIA, CA. 93456 U.S.A PHONE (805) 928-3851 FSCI3201	
CHECKED MC	12-13-99	TITLE	HELICAL FLEXIBLE SHAFT COUPLING
PRODN DH	12-20-99	TABULATED BORE SIZES	
ISSUED		DWG NO	XCA25
			REV