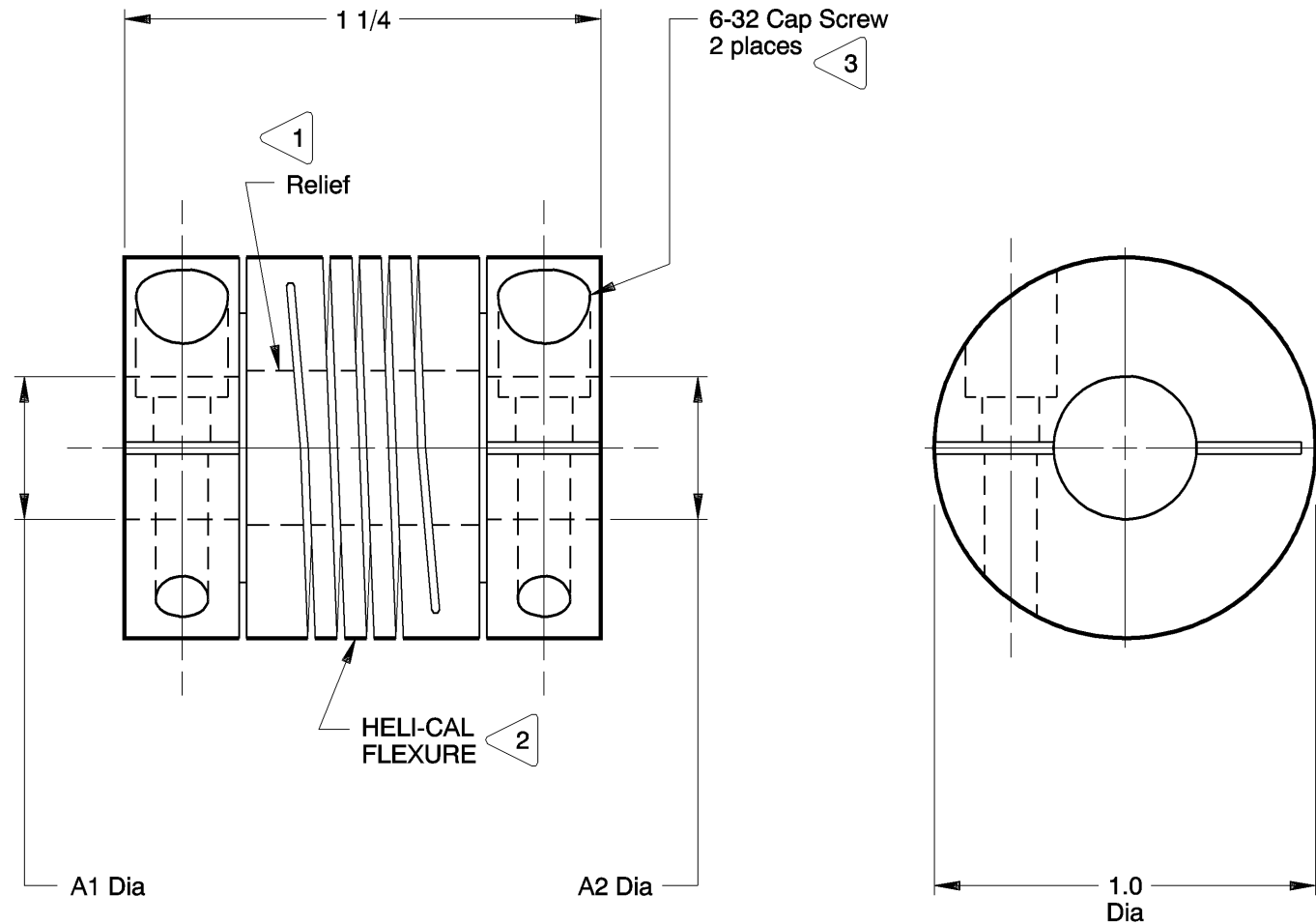


NOTES: See Tabulated Sheet

- 1 Relief permits component shafts to near butt.
- 2 Hubs and HELI-CAL FLEXURE are made from a single piece of material.
- 3 Integral Clamp attachment, hex. socket, cap screw furnished: both hubs.
- 4 Backlash: None. No lubrication required.
- 5 Permitted axial motion from free length:  $\pm .010$ in.
- 6 RPM: Up to 10,000, depending upon application.
- 7 Working torque ratings are based upon continuous duty with noted misalignments applied separately and may be increased with improved alignment:
- See Tabulated Sheet
- 8 Permissible shaft misalignment:  
Angular, up to 5 degrees.  
Offset, up to .010in.  
(TIR, .020in.)
- 9 Part will have a 1.146in. Clearance Diameter on both ends when any bore is over .407in. thru .563in.



HCR100-12-12 SHOWN

NOTICE: THE INFORMATION AND DATA CONTAINED HEREIN IS CONSIDERED PROPRIETARY TO HELICAL PRODUCTS COMPANY, INC., AND SHALL REMAIN THE EXCLUSIVE PROPERTY OF HELICAL. THE HOLDER WILL ASSUME CUSTODY AND CONTROL THAT THIS DOCUMENT WILL NOT BE COPIED, REPRODUCED OR DISCLOSED WITHOUT THE EXPRESS WRITTEN CONSENT OF HELICAL. POSSESSION OF THIS DOCUMENT DOES NOT CONSTITUTE A GRANT TO MANUFACTURE ANY ITEMS.

DO NOT SCALE DRAWING.

1-26-99		Clerical format update/ No revision	BJM	MC
DATE	LTR	REVISION	CHK	

Unless otherwise noted dimensions in inches.

Tolerances are:  
Fractions:  $\pm 1/64$   
Decimals: .XX  $\pm .010$   
.XXX  $\pm .005$   
.XXX  $\pm .0010$   
Angles:  $\pm 2$  degrees  
Break sharp corners .010 max.

APPROVALS	DATE
DRAWN ER	6-26-80
CHECKED MC	6-26-80
PRODN APA	6-26-80
ISSUED	
WEIGHT	109g (calc)
SCALE 2/1	SIZE A

HELICAL PRODUCTS CO., INC. P.O. BOX 1069 SANTA MARIA, CA. 93456 U.S.A. PHONE (805) 928-3851 FSC13201	
TITLE	HELICAL FLEXIBLE SHAFT COUPLING
MATERIAL	17-4PH CRES HT
FINISH	Natural
DWG NO	HCR100

ADDITION DATE	PART NUMBER	BORE TOLERANCES		TORQUES (lbin)			TORSIONAL FLEXIBILITY deg/lbin	MASS MOMENT OF INERTIA	COMMENTS	A1	A2
		+.002in -.000in	or +.05mm -.00mm	Non-reversing	Shock or Reversing	Momentary					
15 Jan 91	HCR100-8-4	.250in	.125in	26	13	52					
	HCR100-8-5	.250in	.157in	26	13	52					
	HCR100-8-4mm	.250in	4.00mm	26	13	52					
09 Mar 88	HCR100-8-6	.250in	.188in	26	13	52					
	HCR100-8-5mm	.250in	5.00mm	26	13	52					
	HCR100-8-6mm	.250in	6.00mm	26	13	52					
31 Aug 88	HCR100-8-8M	.250in	.240in	26	13	52					
09 Mar 88	HCR100-8-8	.250in	.250in	26	13	52					
	HCR100-7mm-8	7.00mm	.250in	25	12	50					
	HCR100-7.91mm-7.91mm	7.91mm	7.91mm	23	12	47					
	HCR100-10-6mm	.313in	6.00mm	23	12	47					
09 Mar 88	HCR100-10-8	.313in	.250in	23	12	47					
	HCR100-10-9	.313in	.282in	23	12	47					
03 Aug 01	HCR100-10-7.45mm	.313in	7.45mm	23	12	47					
09 Mar 88	HCR100-10-10	.313in	.313in	23	12	47					
	HCR100-8mm-6	8.00mm	.188in	23	12	47					
28 Jun 88	HCR100-8mm-8	8.00mm	.250in	23	12	47					
	HCR100-8mm-10	8.00mm	.313in	23	12	47					
28 Jun 88	HCR100-8mm-8mm	8.00mm	8.00mm	23	12	47					
	HCR100-9mm-6	9.00mm	.188in	22	11	44					
	HCR100-9mm-8	9.00mm	.250in	22	11	44					
11 Dec 02	HCR100-9mm-10	9.00mm	.313in	22	11	44					
	HCR100-12-3M	.375in	.090in	21	10	42					
02 May 00	HCR100-12-3	.375in	.094in	21	10	42					
09 Mar 88	HCR100-12-4M	.375in	.120in	21	10	42					
28 Jun 88	HCR100-12-4	.375in	.125in	21	10	42					
23 Jan 89	HCR100-12-5	.375in	.157in	21	10	42					
09 Jul 02	HCR100-12-4.58mm	.375in	4.58mm	21	11	42					
09 Mar 88	HCR100-12-6	.375in	.188in	21	10	42					
12 Dec 89	HCR100-12-5mm	.375in	5.00mm	21	10	42					
09 Mar 88	HCR100-12-6mm	.375in	6.00mm	21	10	42					

\* NOTE: Bores greater than .375in Dia: bore depth is .310in

NOTICE: THE INFORMATION AND DATA CONTAINED HEREIN IS CONSIDERED PROPRIETARY TO HELICAL PRODUCTS COMPANY, INC., AND SHALL REMAIN THE EXCLUSIVE PROPERTY OF HELICAL. THE HOLDER WILL ASSUME CUSTODY AND CONTROL THAT THIS DOCUMENT WILL NOT BE COPIED, REPRODUCED OR DISCLOSED WITHOUT THE EXPRESS WRITTEN CONSENT OF HELICAL. POSSESSION OF THIS DOCUMENT DOES NOT CONSTITUTE A GRANT TO MANUFACTURE ANY ITEMS.

**ADDITIONAL BORE SIZES AVAILABLE UPON REQUEST**

APPROVALS

DATE

DRAWN

CHECKED

PRODN

ISSUED

6/1/2007  
3: 06: 12 PM

HELICAL PRODUCTS CO. INC

P.O. BOX 1069 SANTA MARIA, CA. 93456 U.S.A  
PHONE (805) 928-3851 FSCI320I

TITLE **HELICAL FLEXIBLE SHAFT COUPLING**

**TABULATED BORE SIZES**

DWG NO

**HCR100**

Printed 6/1/2007 3:06:38 PM by jarrvg

ADDITION DATE	PART NUMBER	BORE TOLERANCES		TORQUES (lbin)			TORSIONAL FLEXIBILITY deg/lbin	MASS MOMENT OF INERTIA	COMMENTS	A1	A2
		+.002in -.000in	or +.05mm -.00mm	Non-reversing	Shock or Reversing	Momentary					
09 Mar 88	HCR100-12-8	.375in	.250in	21	10	42					
	HCR100-12-7mm	.375in	7.00mm	21	10	42					
01 Jun 07	HCR100-12-7.87mm	.375in	7.87mm	21	10	42					
09 Mar 88	HCR100-12-10	.375in	.313in	21	10	42					
09 Mar 88	HCR100-12-8mm	.375in	8.00mm	21	10	42					
15 Mar 02	HCR100-12-9mm	.375in	9.00mm	21	10	42					
09 Mar 88	HCR100-12-12	.375in	.375in	21	10	42					
06 Jan 06	HCR100-12-16	.375in	*.500in	21	10	42		Clearance Diam.:	1.146in		
	HCR100-10mm-8M	*10.00mm	.240in	21	10	42					
	HCR100-10mm-8	*10.00mm	.250in	21	10	42					
26 Oct 88	HCR100-10mm-12	*10.00mm	.375in	21	10	42					
	HCR100-14-12	*.438in	.375in	21	10	42		Clearance Diam.:	1.146in		
09 Jul 02	HCR100-11.94mm-6mm	*11.94mm	6.00mm	21	11	42		Clearance Diam.:	1.146in		
09 Mar 88	HCR100-12mm-12	*12.00mm	.375in	21	10	42		Clearance Diam.:	1.146in		
09 Mar 88	HCR100-16-12	*.500in	.375in	21	10	42		Clearance Diam.:	1.146in		
	HCR100-13mm-12	*13.00mm	.375in	21	10	42		Clearance Diam.:	1.146in		
	HCR100-14mm-6	*14.00mm	.188in	21	10	42		Clearance Diam.:	1.146in		
	HCR100-14mm-5mm	*14.00mm	5.00mm	21	11	42		Clearance Diam.:	1.146in		
26 Oct 88	HCR100-18-12	*.563in	.375in	21	10	42		Clearance Diam.:	1.146in		
17 DEC 13	HCR100-12-9.14mm	.375in	9.14mm	21	10	42					

\* NOTE: Bores greater than .375in Dia: bore depth is .310in

NOTICE: THE INFORMATION AND DATA CONTAINED HEREIN IS CONSIDERED PROPRIETARY TO HELICAL PRODUCTS COMPANY, INC., AND SHALL REMAIN THE EXCLUSIVE PROPERTY OF HELICAL. THE HOLDER WILL ASSUME CUSTODY AND CONTROL THAT THIS DOCUMENT WILL NOT BE COPIED, REPRODUCED OR DISCLOSED WITHOUT THE EXPRESS WRITTEN CONSENT OF HELICAL. POSSESSION OF THIS DOCUMENT DOES NOT CONSTITUTE A GRANT TO MANUFACTURE ANY ITEMS.

**ADDITIONAL BORE SIZES AVAILABLE UPON REQUEST**

APPROVALS

DATE

DRAWN

CHECKED

PRODN

ISSUED

6/1/2007  
3:06:12 PM

HELICAL PRODUCTS CO. INC

P.O. BOX 1069 SANTA MARIA, CA. 93456 U.S.A  
PHONE (805) 928-3851 FSCI3201

TITLE HELICAL FLEXIBLE SHAFT COUPLING

**TABULATED BORE SIZES**

DWG NO

HCR100