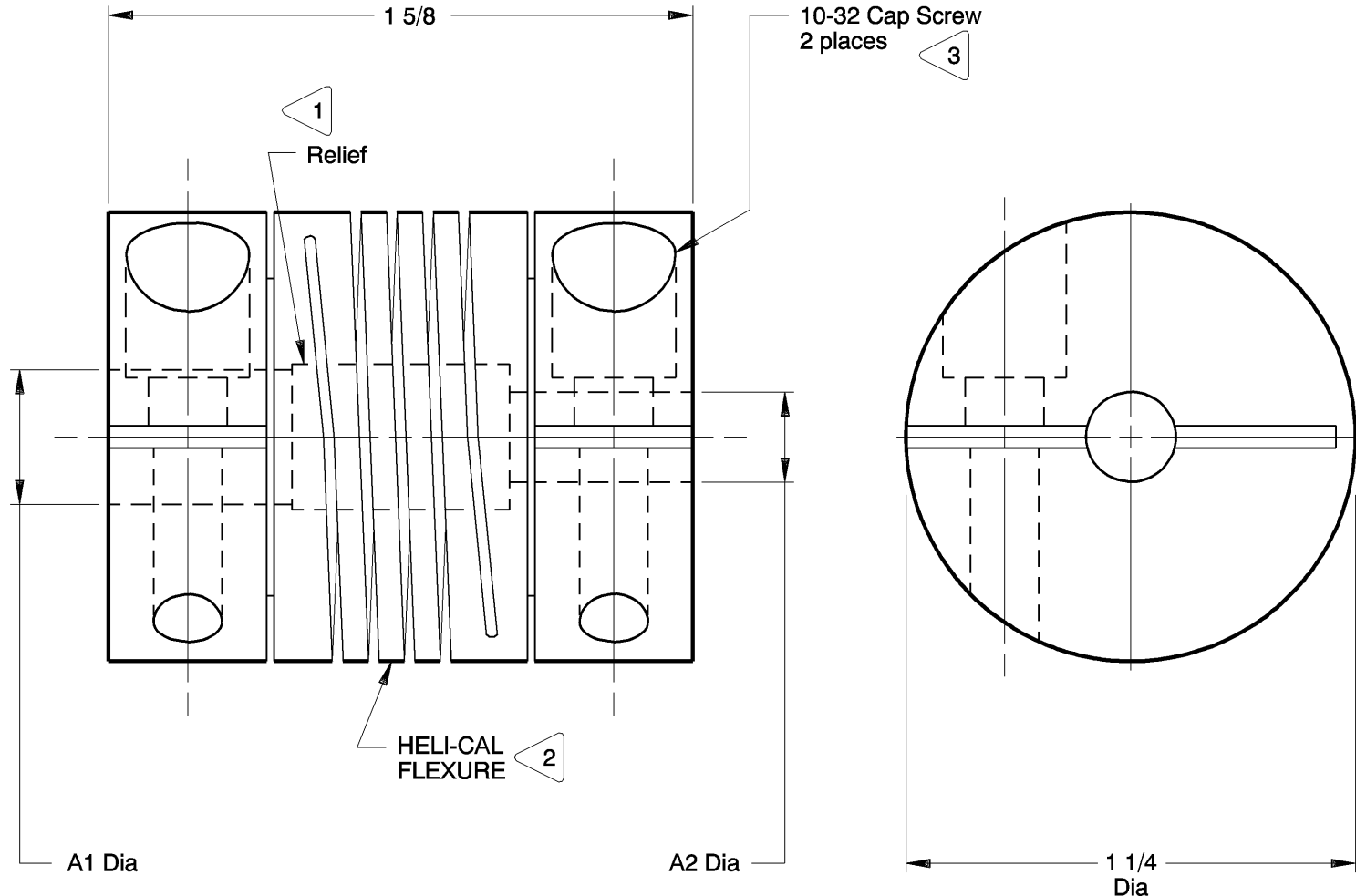


NOTES: See Tabulated Sheet

- 1 Relief permits component shafts to near butt.
- 2 Hubs and HELI-CAL FLEXURE are made from a single piece of material.
- 3 Integral Clamp attachment, hex. socket, cap screw furnished: both hubs.
- 4 Backlash: None. No lubrication required.
- 5 Permitted axial motion from free length:  $\pm .010$ in.
- 6 RPM: Up to 10,000, depending upon application.
- 7 Working torque ratings are based upon continuous duty with noted misalignments applied separately and may be increased with improved alignment:  
See Tabulated Sheet
- 8 Permissible shaft misalignment:  
Angular, up to 5 degrees.  
Offset, up to .010in.  
(TIR, .020in.)
- 9 Part will have a 1.428in. Clearance Diameter on both ends when any bore is over .447in. thru .630in. or a 1.465in. Clearance Diameter when any bore is over .630in. thru .668in.



HCR125-12-8 SHOWN

NOTICE: THE INFORMATION AND DATA CONTAINED HEREIN IS CONSIDERED PROPRIETARY TO HELICAL PRODUCTS COMPANY, INC., AND SHALL REMAIN THE EXCLUSIVE PROPERTY OF HELICAL. THE HOLDER WILL ASSUME CUSTODY AND CONTROL THAT THIS DOCUMENT WILL NOT BE COPIED, REPRODUCED OR DISCLOSED WITHOUT THE EXPRESS WRITTEN CONSENT OF HELICAL. POSSESSION OF THIS DOCUMENT DOES NOT CONSTITUTE A GRANT TO MANUFACTURE ANY ITEMS.

DO NOT SCALE DRAWING.

DATE	LTR	REVISION	CHK

Unless otherwise noted dimensions in inches.  
  
Tolerances are:  
Fractions:  $\pm 1/64$   
Decimals: .XX  $\pm .010$   
          .XXX  $\pm .005$   
          .XXXX  $\pm .0010$   
Angles:  $\pm 2$  degrees  
Break sharp corners  
.010 max.

APPROVALS	DATE
DRAWN <b>BJM</b>	7-12-99
CHECKED <b>MC</b>	7-13-99
PRODN <b>DH</b>	7-14-99
ISSUED	
WEIGHT	213g (calc)
SCALE 2/1	SIZE <b>A</b>

<b>HELICAL PRODUCTS CO., INC.</b> P.O. BOX 1069 SANTA MARIA, CA. 93456 U.S.A PHONE (805) 928-3851 FSC13201		TITLE	<b>HELICAL FLEXIBLE SHAFT COUPLING</b>	
		MATERIAL	<b>17-4PH CRES</b>	<b>HT</b>
FINISH		<b>Natural</b>		
DWG NO		<b>HCR125</b>		

ADDITION DATE	PART NUMBER	BORE TOLERANCES		TORQUES (bin)			TORSIONAL FLEXIBILITY deg/lbin	MASS MOMENT OF INERTIA	COMMENTS	A1	A2
		+.002in -.000in	or +.05mm -.00mm	Non-reversing	Shock or Reversing	Momentary					
21 Jan 05	HCR125-20-8	.625in	.250in	29	14	57					
18 Ju1 03	HCR125-8mm-8	8.00mm	.250in	50	25	100					
18 Jun 03	HCR125-14mm-12	14.00mm	.375in	35	17	69					
25 Feb 04	HCR125-14mm-6	14.00mm	.188in	35	17	69					
25 Feb 04	HCR125-14mm-8	14.00mm	.250in	35	17	69					
25 Feb 04	HCR125-14mm-16	14.00mm	.500in	35	17	69					
01 Ju1 05	HCR125-14mm-10	14.00mm	.313in	35	17	69					
12 Jan 05	HCR125-15mm-16	15.00mm	.500in	32	16	63					
03 Oct 00	HCR125-8mm-10	8.00mm	.313in	50	25	100					
28 Apr 00	HCR125-12-8mm	.375in	8.00mm	47	24	94					
07 Jun 00	HCR125-12-12	.375in	.375in	47	24	94					
05 Sep 01	HCR125-12-10	.375in	.313in	47	24	94					
05 Oct 10	HCR125-15mm-13mm	15.00mm	13.00mm	32	16	63					
	HCR125-20-12	.625in	.375in	28	14	57					
06 Jun 01	HCR125-20-20	.625in	.625in	28	14	57					
17 Jan 01	HCR125-16-11mm	.500in	11.00mm	39	19	77					
10 Dec 01	HCR125-16-12	.500in	.375in	39	19	77					
07 Dec 01	HCR125-16-16	.500in	.500in	39	19	77					
24 May 02	HCR125-20-16	.625in	.500in	29	14	57					
29 Aug 02	HCR125-12mm-8mm	12.00mm	8.00mm	41	20	81					
19 Mar 02	HCR125-12mm-12	12.00mm	.375in	41	20	81					
03 Oct 02	HCR125-20-10	.625in	.313in	29	14	57					
02 Jan 03	HCR125-20-14mm	.625in	14.00mm	29	14	57					
10 Feb 03	HCR125-16mm-20	16.00mm	.625in	29	14	57					
26 Nov 03	HCR125-16-8	.500in	.250in	39	19	77					
16 Jan 04	HCR125-16-10	.500in	.313in	39	19	77					
08 Jun 06	HCR125-11mm-10mm	11.00mm	10.00mm	44	22	87					
08 Aug 06	HCR125-12mm-8	12.00mm	.250in	41	20	81					
31 Aug 06	HCR125-14mm-10mm	14.00mm	10.00mm	35	17	69					
08 Sep 06	HCR125-20-10mm	.625in	10.00mm	28	14	57					
05 Oct 06	HCR125-18-14mm	.563in	14.00mm	34	17	68					

\* NOTE: Bores greater than .630in Dia: bore depth is .510in

NOTICE: THE INFORMATION AND DATA CONTAINED HEREIN IS CONSIDERED PROPRIETARY TO HELICAL PRODUCTS COMPANY, INC., AND SHALL REMAIN THE EXCLUSIVE PROPERTY OF HELICAL. THE HOLDER WILL ASSUME CUSTODY AND CONTROL THAT THIS DOCUMENT WILL NOT BE COPIED, REPRODUCED OR DISCLOSED WITHOUT THE EXPRESS WRITTEN CONSENT OF HELICAL. POSSESSION OF THIS DOCUMENT DOES NOT CONSTITUTE A GRANT TO MANUFACTURE ANY ITEMS.

**ADDITIONAL BORE SIZES AVAILABLE UPON REQUEST**

APPROVALS	DATE
DRAWN	
CHECKED	
PRODN	
ISSUED	10/27/2010 9: 53: 58 AM

HELICAL PRODUCTS CO. INC  
P.O. BOX 1069 SANTA MARIA, CA. 93456 U.S.A  
PHONE (805) 928-3851 FSCI320I

TITLE **HELICAL FLEXIBLE SHAFT COUPLING**

**TABULATED BORE SIZES**

DWG NO **HCR125**

Printed 10/27/2010 9:55:02 AM by JulesJ

ADDITION DATE	PART NUMBER	BORE TOLERANCES		TORQUES (lbin)			TORSIONAL FLEXIBILITY deg/lbin	MASS MOMENT OF INERTIA	COMMENTS	A1	A2
		+.002in -.000in	or +.05mm -.00mm	Non-reversing	Shock or Reversing	Momentary					
15 Dec 06	HCR125-10mm-12	10.00mm	.375in	46	23	92					
03 Jan 07	HCR125-9mm-8	9.00mm	.250in	48	24	96					
25 Jul 07	HCR125-16-14	.500in	.438in	39	19	77		Clearance Diam.:	1.428in		
14 Jan 09	HCR125-16-6mm	.500in	6.00mm	39	19	77		Clearance Diam.:	1.428in		
14 Jan 09	HCR125-20-6mm	.625in	6.00mm	29	14	57		Clearance Diam.:	1.428in		
19 Oct 09	HCR125-10-10	.313in	.313in	50	25	100					
09 Mar 14	HCR125-16mm-12	16.00mm	.375in	56	28	14					
07 NOV 14	HCR125-11mm-8	11.00mm	.250in	44	22	87					
31 MAR 16	HCR125-13mm-10mm	13.00mm	10.00mm	38	19	75					

**\* NOTE: Bores greater than .630in Dia: bore depth is .510in**

NOTICE: THE INFORMATION AND DATA CONTAINED HEREIN IS CONSIDERED PROPRIETARY TO HELICAL PRODUCTS COMPANY, INC., AND SHALL REMAIN THE EXCLUSIVE PROPERTY OF HELICAL. THE HOLDER WILL ASSUME CUSTODY AND CONTROL THAT THIS DOCUMENT WILL NOT BE COPIED, REPRODUCED OR DISCLOSED WITHOUT THE EXPRESS WRITTEN CONSENT OF HELICAL. POSSESSION OF THIS DOCUMENT DOES NOT CONSTITUTE A GRANT TO MANUFACTURE ANY ITEMS.

**ADDITIONAL BORE SIZES AVAILABLE UPON REQUEST**

APPROVALS	DATE
DRAWN	
CHECKED	
PRODN	
ISSUED	10/27/2010 9: 53: 58 AM

HELICAL PRODUCTS CO. INC  
P.O. BOX 1069 SANTA MARIA, CA. 93456 U.S.A  
PHONE (805) 928-3851 FSCI320I

TITLE **HELICAL FLEXIBLE SHAFT COUPLING**

**TABULATED BORE SIZES**

DWG NO **HCR125**

Printed 10/27/2010 9: 55: 02 AM by JulesJ