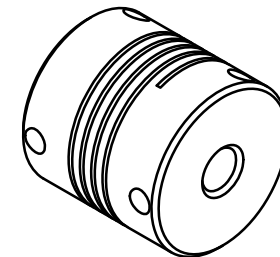
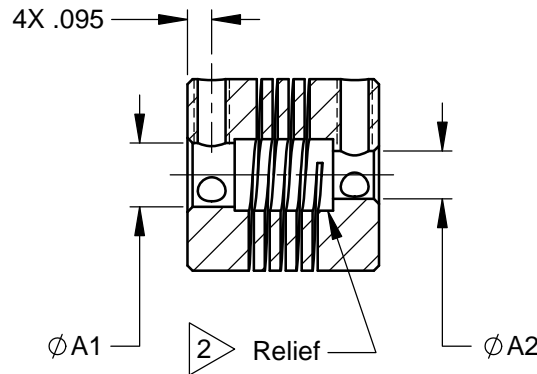
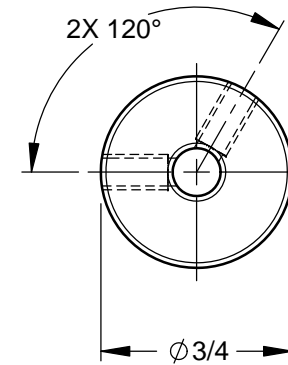
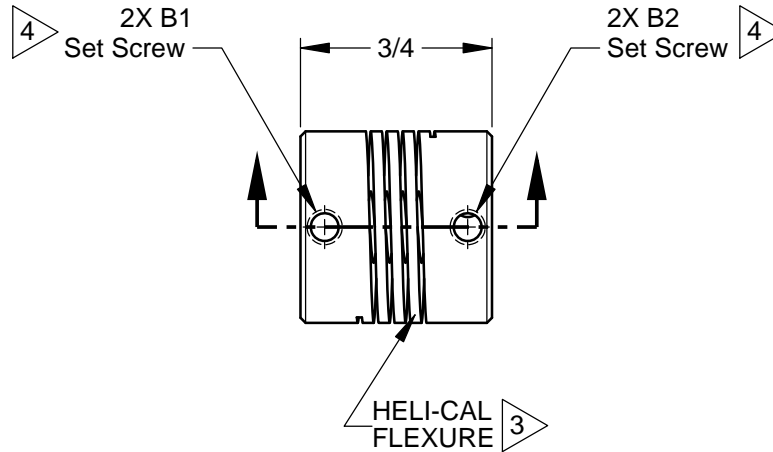


NOTES:

- 1 Refer to Secondary Sheet for Tabulated Data.
- 2 Relief permits component shafts to near butt.
- 3 Hubs and HELI-CAL FLEXURE are made from a single piece of material.
- 4 Set Screw attachment, hex. socket, cup point set screw furnished: both hubs.
- 5 Backlash: None. No lubrication required.
- 6 Permitted axial motion from free length: $\pm .010$
- 7 RPM: Up to 10,000, depending upon application.
- 8 Working torque ratings are based upon continuous duty with noted misalignments applied separately and may be increased with improved alignment
- 9 Permissible shaft misalignment:
Angular, up to 5°
Offset, up to $.010$ (FIM, $.020$)



NOTICE: THE INFORMATION AND DATA CONTAINED HEREIN IS CONSIDERED PROPRIETARY TO HELICAL PRODUCTS COMPANY, INC., AND SHALL REMAIN THE EXCLUSIVE PROPERTY OF HELICAL. THE HOLDER WILL ASSUME CUSTODY AND CONTROL THAT THIS DOCUMENT WILL NOT BE COPIED, REPRODUCED OR DISCLOSED WITHOUT THE EXPRESS WRITTEN CONSENT OF HELICAL. POSSESSION OF THIS DOCUMENT DOES NOT CONSTITUTE A GRANT TO MANUFACTURE ANY ITEM. Copyright HELICAL PRODUCTS CO. INC.

10-01-12	---	Redrawn in Solidworks	JAJ	EK
05-21-99	---	Clerical format update/ No revision	BJM	MC
DATE	LTR	REVISION	APVR	

Unless otherwise specified all tolerances and dimensions are in inches.

Inch	Metric
X/XX \pm 1/64	X/XX \pm 0.5mm
.XX \pm .01	.XX \pm 0.25mm
.XXX \pm .005	.XXX \pm 0.15mm
Angles $\pm 2^\circ$	

Break sharp corners $.010$ MAX
All surface finish 63 roughness
Do Not Scale Drawing



HELICAL
PRODUCTS COMPANY, INC.

901 West McCoy Lane
P.O. BOX 1069
SANTA MARIA, CA. 93456 U.S.A.
PHONE (805) 928-3851 FSC13201

DRAWN BY ER	DATE 06-16-80	TITLE HELICAL FLEXIBLE SHAFT COUPLING
CHECKED BY MC	DATE 06-16-80	MATL 17-4PH CRES HT
APPRVD BY APA	DATE 06-16-80	FINISH Natural
WEIGHT (calculated) 36g		DRAWING NUMBER HR075
SHEET 1 of 2		REV

TABULATED DATA

Copyright HELICAL PRODUCTS CO INC

MATERIAL: 17-4PH CRES HT

FINISH: Natural

Drawing Number

HR075

REV

DO NOT SCALE DRAWING

SHT 2 of 2

ITEM DESCRIPTION (Part Number)	BORE SIZES		SET SCREW		TORQUES (lbin)		
	ØA1	ØA2	B1	B2	Momentary Dynamic	Non- Reversing	Shock or Reversing
HR075-4M-4M	.120in	.120in	2-56	2-56	21	10	5
HR075-4-4	.125in	.125in	4-40	4-40	21	10	5
HR075-5-4	.157in	.125in	6-32	4-40	21	10	5
HR075-5-5	.157in	.157in	6-32	6-32	21	10	5
HR075-6-4	.188in	.125in	6-32	4-40	21	10	5
HR075-6-5	.188in	.157in	6-32	6-32	21	10	5
HR075-6-6	.188in	.188in	6-32	6-32	21	10	5
HR075-5mm-4	5.00mm	.125in	6-32	4-40	19	9	5
HR075-7-7	.219in	.219in	6-32	6-32	18	9	4
HR075-6mm-4	6.00mm	.125in	6-32	4-40	18	9	4
HR075-6mm-5	6.00mm	.157in	6-32	6-32	18	9	4
HR075-6mm-4mm	6.00mm	4.00mm	6-32	6-32	18	9	4
HR075-6mm-4.5mm	6.00mm	4.50MM	6-32	6-32	18	9	4
HR075-6mm-6	6.00mm	.188in	6-32	6-32	18	9	4
HR075-6mm-6mm	6.00mm	6.00mm	6-32	6-32	18	9	4
HR075-8M-6	.240in	.188in	6-32	6-32	18	9	4
HR075-8M-8M	.240in	.240in	6-32	6-32	18	9	4
HR075-8-3mm	.250in	3.00mm	6-32	6-32	17	8	4
HR075-8-4M	.250in	.120in	6-32	2-56	17	8	4
HR075-8-4	.250in	.125in	6-32	4-40	17	8	4
HR075-8-5	.250in	.157in	6-32	6-32	17	8	4
HR075-8-4mm	.250in	4.00mm	6-32	6-32	17	8	4
HR075-8-6	.250in	.188in	6-32	6-32	17	8	4
HR075-8-5mm	.250in	5.00mm	6-32	6-32	17	8	4
HR075-8-6mm	.250in	6.00mm	6-32	6-32	17	8	4
HR075-8-8	.250in	.250in	6-32	6-32	17	8	4
HR075-7.62mm-6	7.62mm	.188in	6-32	6-32	17	8	4
HR075-10-8	.313in	.250in	6-32	6-32	17	8	4
HR075-8mm-4	8.00mm	.125in	6-32	4-40	17	8	4
HR075-8mm-6mm	8.00mm	6.00mm	6-32	6-32	17	8	4
HR075-8mm-8	8.00mm	.250in	6-32	6-32	17	8	4
HR075-12-4	.375in	.125in	6-32	4-40	17	8	4
HR075-12-8	.375in	.250in	6-32	6-32	17	8	4
HR075-12-12	.375in	.375in	6-32	6-32	17	8	4
HR075-16-8	.500in	.250in	6-32	6-32	17	8	4