

NOTES: See Tabulated Sheet

- 1 Relief permits component shafts to near butt.
- 2 Hubs and HELI-CAL FLEXURE are made from a single piece of material.
- 3 Set Screw attachment, hex. socket, cup point set screw furnished: both hubs.

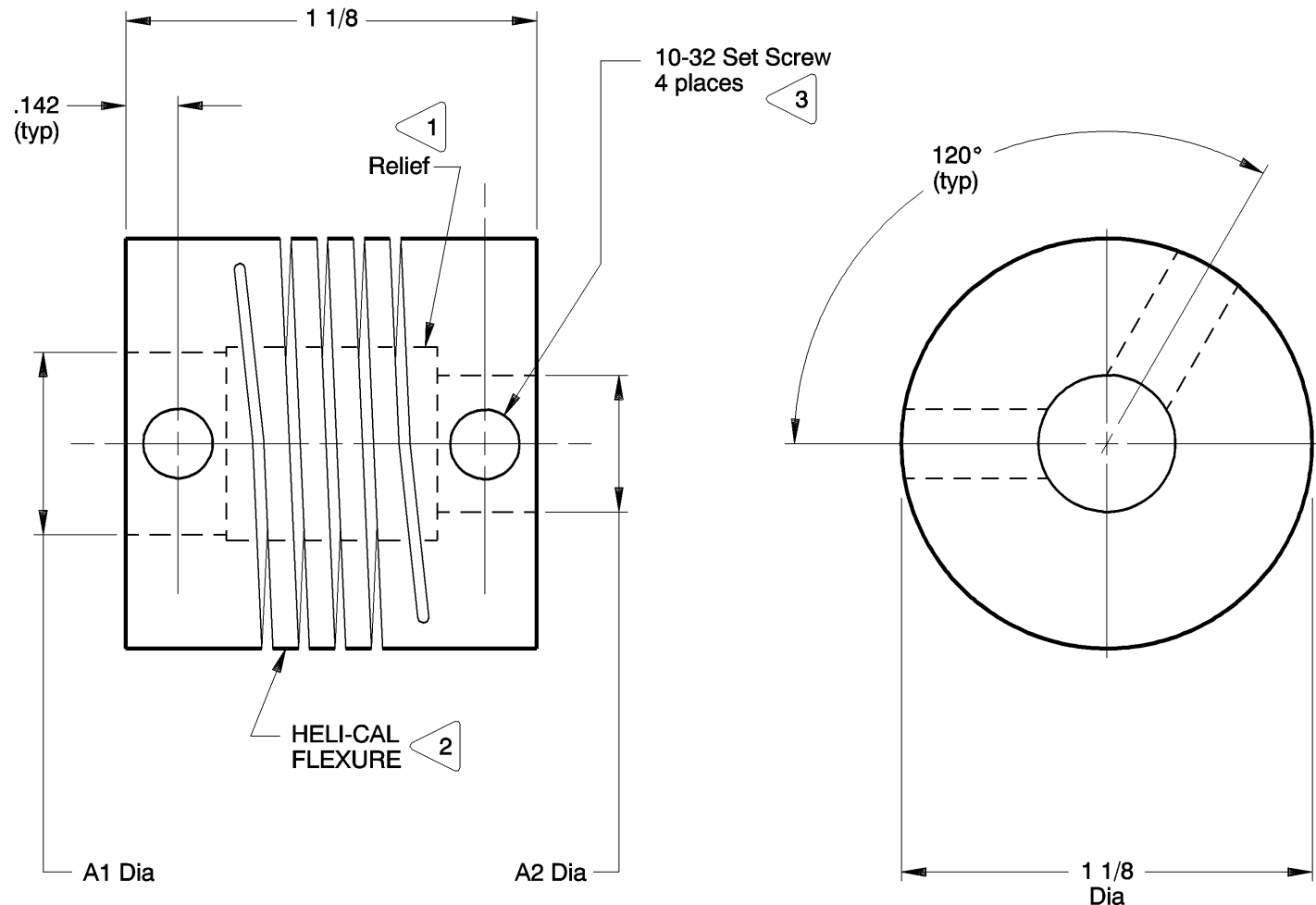
Set Screw size based on bore size:

- .118in thru .124in : 2-56
- .125in thru .155in : 4-40
- .156in thru .235in : 6-32
- .236in thru .630in : 10-32

- 4 Backlash: None. No lubrication required.
- 5 Permitted axial motion from free length: ± .010in.
- 6 RPM: Up to 10,000, depending upon application.
- 7 Working torque ratings are based upon continuous duty with noted misalignments applied separately and may be increased with improved alignment:
- 8 Permissible shaft misalignment:

See Tabulated Sheet

Angular, up to 5 degrees.
Offset, up to .010in.
(TIR, .020in.)



HR112-16-12 SHOWN

NOTICE: THE INFORMATION AND DATA CONTAINED HEREIN IS CONSIDERED PROPRIETARY TO HELICAL PRODUCTS COMPANY, INC., AND SHALL REMAIN THE EXCLUSIVE PROPERTY OF HELICAL. THE HOLDER WILL ASSUME CUSTODY AND CONTROL THAT THIS DOCUMENT WILL NOT BE COPIED, REPRODUCED OR DISCLOSED WITHOUT THE EXPRESS WRITTEN CONSENT OF HELICAL. POSSESSION OF THIS DOCUMENT DOES NOT CONSTITUTE A GRANT TO MANUFACTURE ANY ITEMS.

DO NOT SCALE DRAWING.

Unless otherwise noted dimensions in inches.

Tolerances are:
Fractions: ± 1/64
Decimals: .XX ± .010
.XXX ± .005
.XXX ± .0010
Angles: ± 2 degrees
Break sharp corners .010 max.

APPROVALS	DATE
DRAWN MM	10-8-79
CHECKED MC	10-8-79
PRODN APA	10-8-79
ISSUED	
WEIGHT	120g (calc)
SCALE 2/1	SIZE A

<p>HELICAL PRODUCTS CO., INC. P.O. BOX 1069 SANTA MARIA, CA. 93456 U.S.A PHONE (805) 928-3851 FSC13201</p>	
TITLE	HELICAL FLEXIBLE SHAFT COUPLING
MATERIAL	17-4PH CRES HT
FINISH	Natural
DWG NO	HR112

5-21-99		Clerical format update/ No revision	BJM	MC
DATE	LTR	REVISION	CHK	

Printed 1/14/2010 9:37:51 AM by JulesJ

ADDITION DATE	PART NUMBER	BORE TOLERANCES		TORQUES (lbin)			TORSIONAL FLEXIBILITY deg/lbin	MASS MOMENT OF INERTIA	COMMENTS	A1	A2
		+.002in -.000in	or +.05mm -.00mm	Non-reversing	Shock or Reversing	Momentary					
09 Mar 88	HR112-8-8	.250in	.250in	41	21	83					
09 Mar 88	HR112-10-8	.313in	.250in	39	19	78					
	HR112-10-10	.313in	.313in	39	19	78					
06 Sep 90	HR112-8mm-8mm	8.00mm	8.00mm	39	19	78					
11 Sep 00	HR112-8.13mm-8.13mm	8.13mm	8.13mm	39	19	78					
07 May 07	HR112-12-6	.375in	.188in	35	18	71					
	HR112-12-5mm	.375in	5.00mm	35	18	71					
09 Mar 88	HR112-12-8	.375in	.250in	35	18	71					
	HR112-12-7mm	.375in	7.00mm	35	18	71					
31 Jan 90	HR112-12-10	.375in	.313in	35	18	71					
	HR112-12-8mm	.375in	8.00mm	35	18	71					
	HR112-12-9mm	.375in	9.00mm	35	18	71					
09 Mar 88	HR112-12-12	.375in	.375in	35	18	71					
	HR112-10mm-8	10.00mm	.250in	35	17	69					
	HR112-10mm-7mm	10.00mm	7.00mm	35	17	69					
	HR112-10mm-10	10.00mm	.313in	35	17	69					
	HR112-10mm-12	10.00mm	.375in	35	17	69					
06 Nov 00	HR112-13-12	.407in	.375in	34	17	67					
01 Nov 06	HR112-14-6	.438in	.188in	31	16	63					
21 Apr 09	HR112-14-12	.438in	.375in	31	16	63					
27 Jun 88	HR112-12mm-12	12.00mm	.375in	29	15	59					
	HR112-16-6	.500in	.188in	27	14	55					
09 Mar 88	HR112-16-8	.500in	.250in	27	14	55					
	HR112-16-7mm	.500in	7.00mm	27	14	55					
27 Jun 88	HR112-16-10	.500in	.313in	27	14	55					
	HR112-16-8mm	.500in	8.00mm	27	14	55					
09 Mar 88	HR112-16-12	.500in	.375in	27	14	55					
27 Jun 88	HR112-16-14	.500in	.438in	27	14	55					
	HR112-16-15	.500in	.469in	27	14	55					
13 Jan 10	HR112-16-12mm	.500in	12.00mm	27	14	55					
09 Mar 88	HR112-16-16	.500in	.500in	27	14	55					

* NOTE: Bores greater than .512in Dia: bore depth is .275in

NOTICE: THE INFORMATION AND DATA CONTAINED HEREIN IS CONSIDERED PROPRIETARY TO HELICAL PRODUCTS COMPANY, INC., AND SHALL REMAIN THE EXCLUSIVE PROPERTY OF HELICAL. THE HOLDER WILL ASSUME CUSTODY AND CONTROL THAT THIS DOCUMENT WILL NOT BE COPIED, REPRODUCED OR DISCLOSED WITHOUT THE EXPRESS WRITTEN CONSENT OF HELICAL. POSSESSION OF THIS DOCUMENT DOES NOT CONSTITUTE A GRANT TO MANUFACTURE ANY ITEMS.

ADDITIONAL BORE SIZES AVAILABLE UPON REQUEST

APPROVALS

DATE

DRAWN

CHECKED

PRODN

ISSUED

1/14/2010
9:37:34 AM

HELICAL PRODUCTS CO. INC

P.O. BOX 1069 SANTA MARIA, CA. 93456 U.S.A
PHONE (805) 928-3851 FSCI320I

TITLE HELICAL FLEXIBLE SHAFT COUPLING

TABULATED BORE SIZES

DWG NO

HR112

Printed 1/14/2010 9:37:51 AM by JulesJ

ADDITION DATE	PART NUMBER	BORE TOLERANCES		TORQUES (lbin)			TORSIONAL FLEXIBILITY deg/lbin	MASS MOMENT OF INERTIA	COMMENTS	A1	A2
		+.002in -.000in	or +.05mm -.00mm	Non-reversing	Shock or Reversing	Momentary					
11 Aug 08	HR112-14mm-16	*14.00mm	.500in	27	14	55					
17 Nov 89	HR112-15mm-16	*15.00mm	.500in	27	14	55					
	HR112-20-12	*.625in	.375in	27	14	55					
	HR112-20-10mm	*.625in	10.00mm	27	14	55					
	HR112-20-20	*.625in	*.625in	27	14	55					

*** NOTE: Bores greater than .512in Dia: bore depth is .275in**

NOTICE: THE INFORMATION AND DATA CONTAINED HEREIN IS CONSIDERED PROPRIETARY TO HELICAL PRODUCTS COMPANY, INC., AND SHALL REMAIN THE EXCLUSIVE PROPERTY OF HELICAL. THE HOLDER WILL ASSUME CUSTODY AND CONTROL THAT THIS DOCUMENT WILL NOT BE COPIED, REPRODUCED OR DISCLOSED WITHOUT THE EXPRESS WRITTEN CONSENT OF HELICAL. POSSESSION OF THIS DOCUMENT DOES NOT CONSTITUTE A GRANT TO MANUFACTURE ANY ITEMS.

ADDITIONAL BORE SIZES AVAILABLE UPON REQUEST

APPROVALS	DATE
DRAWN	
CHECKED	
PRODN	
ISSUED	1/14/2010 9: 37: 34 AM

HELICAL PRODUCTS CO. INC
P.O. BOX 1069 SANTA MARIA, CA. 93456 U.S.A
PHONE (805) 928-3851 FSCI320I

TITLE **HELICAL FLEXIBLE SHAFT COUPLING**

TABULATED BORE SIZES

DWG NO **HR112**

Printed 1/14/2010 9:37:51 AM by JulesJ