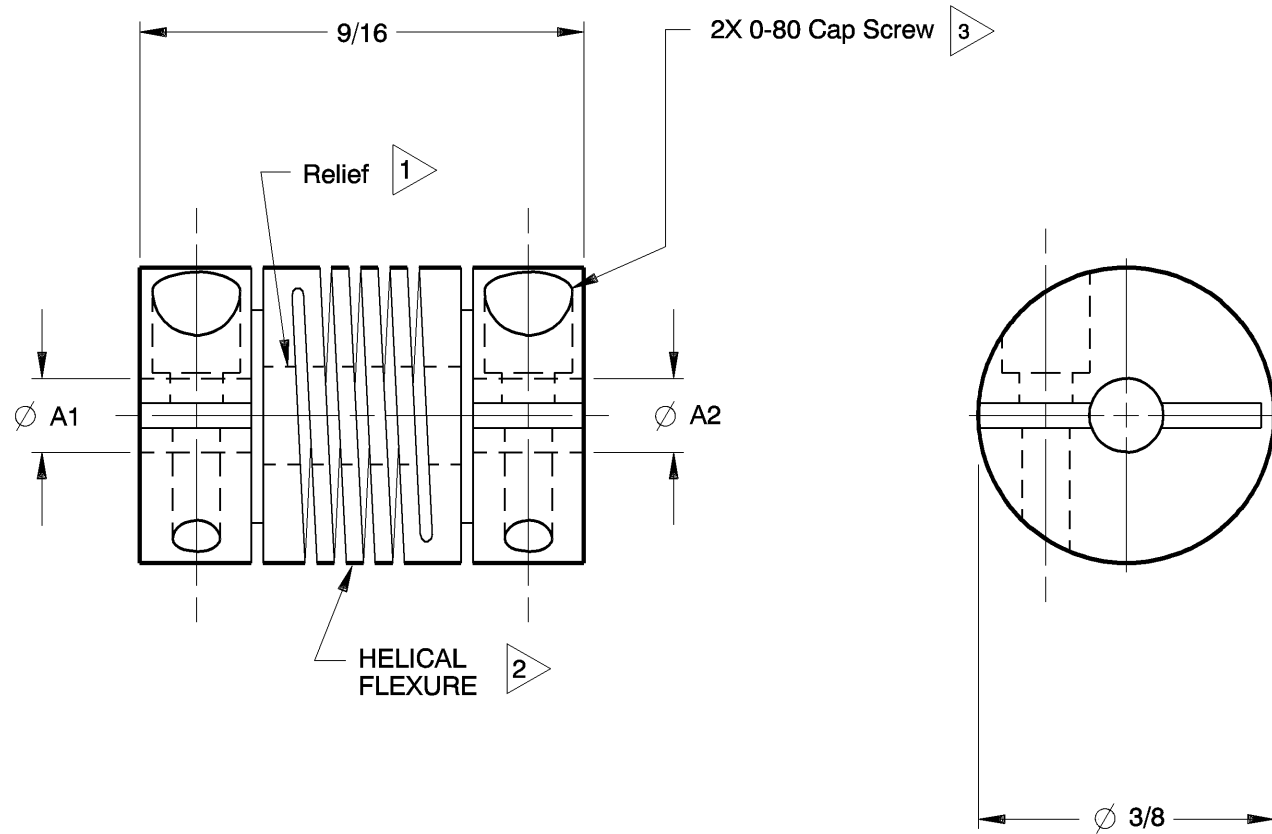


NOTES: See Tabulated Sheet

- 1 Relief permits component shafts to near butt.
- 2 Hubs and HELI-CAL FLEXURE are made from a single piece of material.
- 3 Integral Clamp attachment, hex. socket, cap screw furnished: both hubs.
- 4 Backlash: None. No lubrication required.
- 5 Permitted axial motion from free length: ±.010in.
- 6 RPM: Up to 10,000, depending upon application.
- 7 Working torque ratings are based upon continuous duty with noted misalignments applied separately and may be increased with improved alignment:  
  
See Tabulated Sheet
- 8 Permissible shaft misalignment:  
  
Angular, up to 5 degrees.  
Offset, up to .010in.  
(TIR, .020in.)
- 9 Part will have a .421in. Clearance Diameter on both ends when any bore is over .094in. thru .145in.



ACR037-3-3 SHOWN

NOTICE: THE INFORMATION AND DATA CONTAINED HEREIN IS CONSIDERED PROPRIETARY TO HELICAL PRODUCTS COMPANY, INC., AND SHALL REMAIN THE EXCLUSIVE PROPERTY OF HELICAL. THE HOLDER WILL ASSUME CUSTODY AND CONTROL THAT THIS DOCUMENT WILL NOT BE COPIED, REPRODUCED OR DISCLOSED WITHOUT THE EXPRESS WRITTEN CONSENT OF HELICAL. POSSESSION OF THIS DOCUMENT DOES NOT CONSTITUTE A GRANT TO MANUFACTURE ANY ITEMS.

DO NOT SCALE DRAWING.

11-23-09	--	Finish was Chromic Acid Anodize; Update GD&T	HG	JAJ	Unless otherwise noted dimensions in inches.  Tolerances are: Fractions: ±1/64 Decimals: .XX ±.010 .XXX ±.005 .XXX ±.0010 Angles: ± 2 degrees Break sharp corners .010 max.	APPROVALS	DATE	<p><b>HELICAL PRODUCTS CO., INC.</b> P.O. BOX 1069 SANTA MARIA, CA. 93456 U.S.A PHONE (805) 928-3851 FSC13201</p>
						DRAWN	MM	
CHECKED	GLB	1-19-79	TITLE	HELICAL FLEXIBLE SHAFT COUPLING				
PRODN	APA	1-19-79	MATERIAL	7075-T6 Aluminum Alloy				
ISSUED			FINISH	Anodize per HPS1000				
WEIGHT	2g (calc)		SCALE	4/1	SIZE	A	DWG NO	

ADDITION DATE	PART NUMBER	BORE TOLERANCES		TORQUES (lbin)			TORSIONAL FLEXIBILITY deg/lbin	MASS MOMENT OF INERTIA	COMMENTS	A1	A2
		+.002in -.000in	or +.05mm -.00mm	Non-reversing	Shock or Reversing	Momentary					
09 Mar 88	ACR037-1.95mm-1.95mm	1.95mm	1.95mm	1.5	.75	3.0					
18 Nov 09	ACR037-2mm-1.5mm	2.00mm	1.50mm	1.5	.75	3.0					
07 Jun 00	ACR037-2mm-1.7mm	2.00mm	1.70mm	1.5	.75	3.0					
09 Mar 88	ACR037-2mm-2mm	2.00mm	2.00mm	1.5	.75	3.0					
	ACR037-3M-3M	.090in	.090in	1.5	.75	3.0					
	ACR037-3M-4M	.090in	*.120in	1.5	.75	3.0		Clearance Diam.:	.421in		
	ACR037-3-1.5mm	.094in	1.50mm	1.5	.75	3.0					
	ACR037-3-2mm	.094in	2.00mm	1.5	.75	3.0					
13 Jun 03	ACR037-3-3M	.094in	.090in	1.5	.75	3.0					
09 Mar 88	ACR037-3-3	.094in	.094in	1.5	.75	3.0					
09 Mar 88	ACR037-3mm-1.5mm	*3.00mm	1.50mm	1.5	.75	3.0		Clearance Diam.:	.421in		
01 Jun 00	ACR037-3mm-1.70mm	*3.00mm	1.70mm	1.5	.75	3.0		Clearance Diam.:	.421in		
	ACR037-3mm-2mm	*3.00mm	2.00mm	1.5	.75	3.0		Clearance Diam.:	.421in		
	ACR037-3mm-3mm	*3.00mm	*3.00mm	1.5	.75	3.0		Clearance Diam.:	.421in		
06 Sep 90	ACR037-4M-3M	*.120in	.090in	1.5	.75	3.0		Clearance Diam.:	.421in		
	ACR037-4-3	*.125in	.094in	1.5	.75	3.0		Clearance Diam.:	.421in		
09 Mar 88	ACR037-4-4M	*.125in	*.120in	1.5	.75	3.0		Clearance Diam.:	.421in		
	ACR037-3.2mm-2.15mm	*3.20mm	2.15mm	1.5	.75	3.0		Clearance Diam.:	.421in		
	ACR037-3.2mm-2.2mm	*3.20mm	2.20mm	1.5	.75	3.0		Clearance Diam.:	.421in		
	ACR037-3.6mm-2.5mm	*3.60mm	*2.50mm	1.5	.75	3.0		Clearance Diam.:	.421in		

\* NOTE: Bores greater than .094in Dia: bore depth is .148in

NOTICE: THE INFORMATION AND DATA CONTAINED HEREIN IS CONSIDERED PROPRIETARY TO HELICAL PRODUCTS COMPANY, INC., AND SHALL REMAIN THE EXCLUSIVE PROPERTY OF HELICAL. THE HOLDER WILL ASSUME CUSTODY AND CONTROL THAT THIS DOCUMENT WILL NOT BE COPIED, REPRODUCED OR DISCLOSED WITHOUT THE EXPRESS WRITTEN CONSENT OF HELICAL. POSSESSION OF THIS DOCUMENT DOES NOT CONSTITUTE A GRANT TO MANUFACTURE ANY ITEMS.

**ADDITIONAL BORE SIZES AVAILABLE UPON REQUEST**

APPROVALS

DATE

DRAWN

CHECKED

PRODN

ISSUED

11/24/2009  
8:00:47 AM

HELICAL PRODUCTS CO. INC

P.O. BOX 1069 SANTA MARIA, CA. 93456 U.S.A  
PHONE (805) 928-3851 FSCI3201

TITLE HELICAL FLEXIBLE SHAFT COUPLING

**TABULATED BORE SIZES**

DWG NO

ACR037

Printed 11/24/2009 8:01:05 AM by larryg